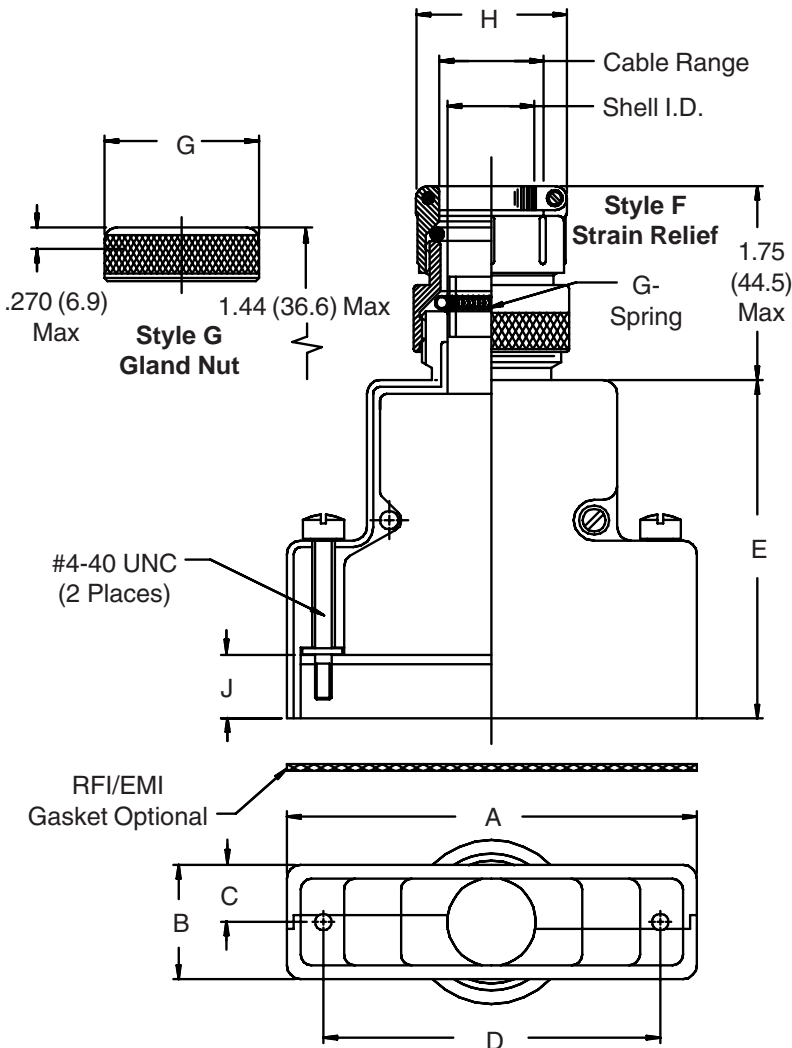


550-010 D-Subminiature G-Spring Split Backshell

550 T 010 M 2 R1 B 1 F 02-04

- Basic Part No. ————
- Cable Entry Style ————
T = Top
- Basic Part Number ————
- Finish Symbol (Page 3) ————
- Shell Size (Table I) ————
- Receptacle Mounting ————
R1-R9 = Rear Mounting (Table III)
Omit for Front Mounting
- Inner Support Ring Dash No. (Table IV), N = No Support Ring
- Cable Entry Dash No. (Table II)
- F = Strain Relief, G = Gland Nut
- 0 = Without EMI Gasket, 1 = With EMI Gasket
- Jackscrew Type (Page A-4)



**TABLE IV:
INNER SUPPORT RING**

| Dash No. | I.D. | | O.D. | |
|----------|-------|--------|-------|--------|
| | ±.010 | (.3) | ±.010 | (.3) |
| 01 | .187 | (4.7) | .227 | (5.8) |
| 02 | .218 | (5.5) | .258 | (6.6) |
| 03 | .250 | (6.4) | .290 | (7.4) |
| 04 | .281 | (7.1) | .321 | (8.2) |
| 05 | .312 | (7.9) | .352 | (8.9) |
| 06 | .343 | (8.7) | .383 | (9.7) |
| 07 | .375 | (9.5) | .415 | (10.5) |
| 08 | .406 | (10.3) | .446 | (11.3) |
| 09 | .438 | (11.1) | .478 | (12.1) |
| 10 | .468 | (11.9) | .508 | (12.9) |
| 11 | .500 | (12.7) | .540 | (13.7) |
| 12 | .531 | (13.5) | .571 | (14.5) |
| 13 | .562 | (14.3) | .602 | (15.3) |
| 14 | .593 | (15.1) | .633 | (16.1) |
| 15 | .625 | (15.9) | .665 | (16.9) |
| 16 | .656 | (16.7) | .696 | (17.7) |
| 17 | .687 | (17.4) | .727 | (18.5) |
| 18 | .718 | (18.2) | .758 | (19.3) |
| 19 | .750 | (19.1) | .790 | (20.1) |
| 20 | .781 | (19.8) | .821 | (20.9) |
| 21 | .812 | (20.6) | .852 | (21.6) |
| 22 | .843 | (21.4) | .883 | (22.4) |
| 23 | .875 | (22.2) | .915 | (23.2) |
| 24 | .906 | (23.0) | .946 | (24.0) |
| 25 | .937 | (23.8) | .977 | (24.8) |

Consult Factory For Larger Sizes

550-010
D-Subminiature
G-Spring Split Backshell



MIL-C-24308
D-Subminiature

TABLE I: SHELL SIZE & CONNECTOR INTERFACE DIMENSIONS

| Shell Size | Com'l Shell Size Ref | A | | B | | C Ref. | | D | | E (Front Mtd. Recept. Only) | | Shell I.D. |
|------------|----------------------|-------|--------|------|--------|--------|--------|-------|--------|-----------------------------|--------|--------------|
| | | Max | | Max | | | | ±.005 | (.1) | | | |
| 1 | E/09 | 1.393 | (35.4) | .624 | (15.8) | .312 | (7.9) | .984 | (25.0) | 1.625 | (41.3) | .250 (6.4) |
| 2 | A/15 | 1.706 | (43.3) | .624 | (15.8) | .312 | (7.9) | 1.312 | (33.3) | 1.625 | (41.3) | .375 (9.5) |
| 3 | B/25 | 2.265 | (57.5) | .624 | (15.8) | .312 | (7.9) | 1.852 | (47.0) | 1.844 | (46.8) | .475 (12.1) |
| 4 | C/37 | 2.900 | (73.7) | .624 | (15.8) | .312 | (7.9) | 2.500 | (63.5) | 1.844 | (46.8) | .475 (12.1) |
| 5 | D/50 | 2.800 | (71.1) | .750 | (19.1) | .375 | (9.5) | 2.406 | (61.1) | 1.844 | (46.8) | .575 (14.6) |
| 6 | F/104 | 2.900 | (73.7) | .844 | (21.4) | .422 | (10.7) | 2.500 | (63.5) | 2.000 | (50.8) | 1.000 (25.4) |

TABLE II: CABLE ENTRY

| Dash No. | G | | H | | Cable Range | |
|----------|-------|--------|-------|--------|-------------|---------------------|
| | Max | | Max | | Min | Max |
| 01 | .625 | (15.9) | .843 | (21.4) | .125 | (3.2) .250 (6.4) |
| 02 | .750 | (19.1) | .968 | (24.6) | .156 | (4.0) .375 (9.5) |
| 03 | .875 | (22.2) | 1.046 | (26.6) | .250 | (6.4) .438 (11.1) |
| 04 | 1.000 | (25.4) | 1.156 | (29.4) | .280 | (7.1) .500 (12.7) |
| 05 | 1.125 | (28.6) | 1.218 | (30.9) | .375 | (9.5) .625 (15.9) |
| 06 | 1.250 | (31.8) | 1.343 | (34.1) | .500 | (12.7) .750 (19.1) |
| 07* | 1.406 | (35.7) | 1.468 | (37.3) | .687 | (17.4) .875 (22.2) |
| 08* | 1.531 | (38.9) | 1.593 | (40.5) | .812 | (20.6) 1.000 (25.4) |

* Available in Shell Size 6 Only

TABLE III: BACKSHELL DIMENSIONS & PANEL THICKNESS

| Dash No. | Panel | | J | E | | | | | | |
|----------|-----------|-------|------|-------------|-------------|--------|-------|--------|-------|--------|
| | Thickness | | | Sizes 1 & 2 | Sizes 3 - 5 | Size 6 | | | | |
| R1 | .031 | (.8) | .247 | (6.3) | 1.525 | (38.7) | 1.745 | (44.3) | 1.890 | (48.0) |
| R2 | .047 | (1.2) | .231 | (5.9) | 1.509 | (38.3) | 1.728 | (43.9) | 1.875 | (47.6) |
| R3 | .062 | (1.6) | .216 | (5.5) | 1.500 | (38.1) | 1.720 | (43.7) | 1.860 | (47.2) |
| R4 | .093 | (2.4) | .185 | (4.7) | 1.470 | (37.3) | 1.690 | (42.9) | 1.829 | (46.5) |
| R5 | .104 | (2.6) | .174 | (4.4) | 1.451 | (36.9) | 1.671 | (42.4) | 1.820 | (46.2) |
| R6 | .125 | (3.2) | .153 | (3.9) | 1.430 | (36.3) | 1.650 | (41.9) | 1.798 | (45.7) |
| R7 | .156 | (4.0) | .125 | (3.2) | 1.400 | (35.6) | 1.620 | (41.1) | 1.767 | (44.9) |
| R8 | .135 | (3.4) | .140 | (3.6) | 1.417 | (36.0) | 1.637 | (41.6) | 1.805 | (45.8) |
| R9 | .188 | (4.8) | .094 | (2.4) | 1.368 | (34.7) | 1.590 | (40.4) | 1.740 | (44.2) |

1. Metric dimensions (mm) are indicated in parentheses.
2. **DO NOT USE CONNECTORS WITH FLOAT MOUNTINGS.**
3. For front mount, mating connector must be mounted to panel using M24308/26 female screwlocks. For rear mount, use Glenair GK134.
4. For proper termination it is recommended that Glenair 469-001 shield support ring be used on all assemblies. Place ring over wire bundle and under shield, position under G-Spring.