

**PLEASE CHECK WWW.MOLEX.COM FOR LATEST PART INFORMATION**

**Part Number:** [0955016889](#)  
**Status:** **Active**  
**Overview:** [modular\\_plugs\\_jacks](#)  
**Description:** Modular Jacks, Low Profile, SMT Jack, 8 Positions, 8 loaded

**Documents:**

[3D Model](#) [Product Specification PS-95501 \(PDF\)](#)  
[Drawing \(PDF\)](#) [RoHS Certificate of Compliance \(PDF\)](#)  
[Application Specification \(PDF\)](#)

**Agency Certification**

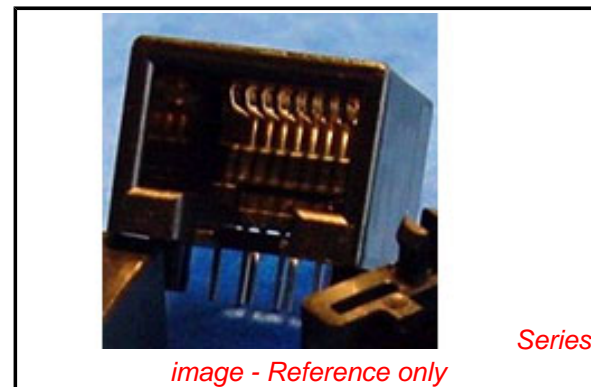
UL E107635

**General**

Product Family Modular Jacks/Plugs  
 Series [95501](#)  
 Component Type PCB Jack  
 Magnetic No  
 Overview [modular\\_plugs\\_jacks](#)  
 Performance Category 3  
 Power over Ethernet (PoE) N/A  
 Product Name RJ45

**Physical**

Boot Color N/A  
 Color - Resin Black  
 Durability (mating cycles max) 500  
 Flammability 94V-0  
 Inverted / Top Latch No  
 Lightpipes/LEDs None  
 Material - Metal Phosphor Bronze  
 Material - Plating Mating Gold  
 Material - Plating Termination Tin  
 Material - Resin High Temperature Thermoplastic  
 Orientation Right Angle (Side Entry)  
 PCB Locator Yes  
 PCB Retention Yes  
 PCB Thickness Recommended (in) 0.063 In  
 PCB Thickness Recommended (mm) 1.60 mm  
 Packaging Type Tube  
 Pitch - Mating Interface (in) 0.040 In  
 Pitch - Mating Interface (mm) 1.02 mm  
 Pitch - Term. Interface (in) 0.050 In  
 Pitch - Term. Interface (mm) 1.27 mm  
 Plating min: Mating (µin) 50.8  
 Plating min: Mating (µm) 1.27  
 Plating min: Termination (µin) 76  
 Plating min: Termination (µm) 1.9  
 Ports 1  
 Positions / Loaded Contacts 8/8  
 Surface Mount Compatible (SMC) Yes  
 Temperature Range - Operating -40°C to +80°C  
 Termination Interface: Style Surface Mount  
 Waterproof / Dustproof No  
 Wire/Cable Type N/A



*image - Reference only*

**EU RoHS**

**ELV and RoHS  
 Compliant  
 REACH SVHC  
 Contains SVHC: No  
 Halogen-Free  
 Status**

**China RoHS**



**Need more information on product  
 environmental compliance?**

Email [productcompliance@molex.com](mailto:productcompliance@molex.com)  
 For a multiple part number RoHS Certificate of  
 Compliance, [click here](#)

Please visit the [Contact Us](#) section for any  
 non-product compliance questions.

**Search Parts in this Series**

[95501Series](#)

**Mates With**

FCC 68 Plugs

**Use With**

90075

**Electrical**

Current - Maximum per Contact	1.5A
Shielded	No
Voltage - Maximum	125V DC

**Solder Process Data**

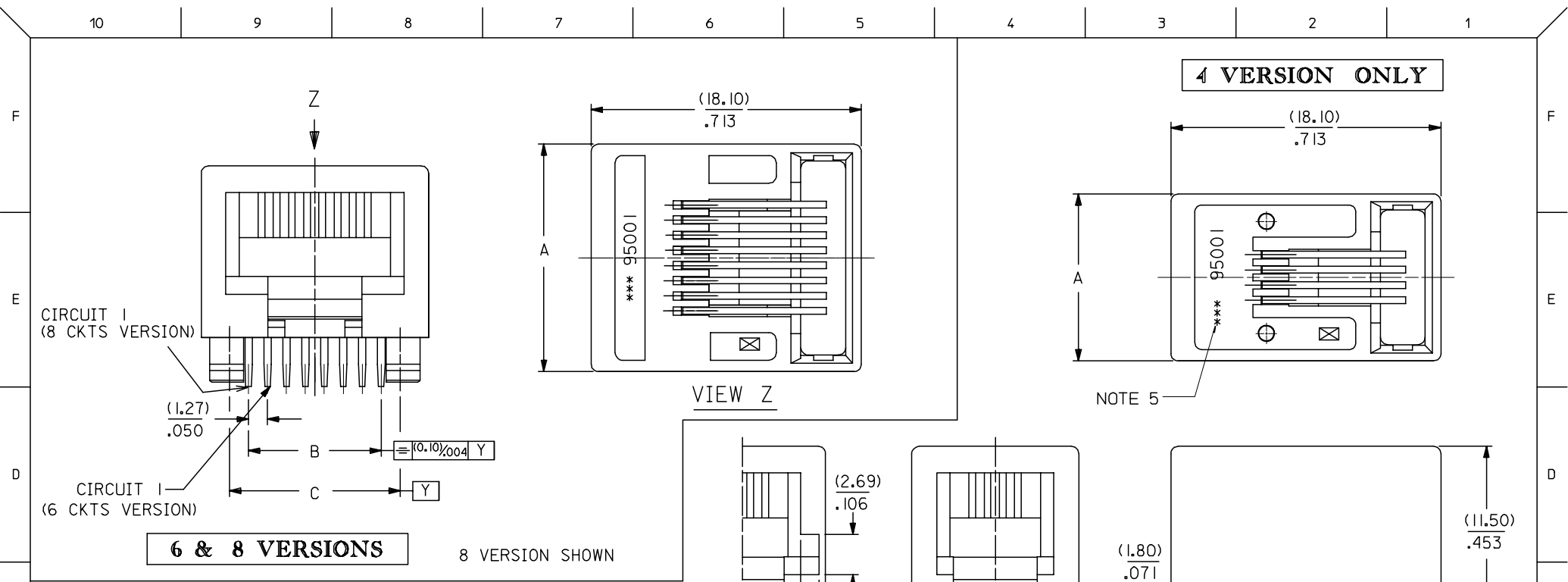
Duration at Max. Process Temperature (seconds)	45
Lead-free Process Capability	Reflow Capable (SMT only)
Max. Cycles at Max. Process Temperature	3
Process Temperature max. C	260

**Material Info****Reference - Drawing Numbers**

Packaging Specification	PK-95001
Product Specification	PS-95501
Sales Drawing	SD-95501-001

This document was generated on 06/07/2010

**PLEASE CHECK [WWW.MOLEX.COM](http://WWW.MOLEX.COM) FOR LATEST PART INFORMATION**



**6 & 8 VERSIONS**

8 VERSION SHOWN

**NOTES :**

- 1- MATERIAL:  
 -HOUSING: LCP GLASS FILLED UL 94V-0, COLOUR BLACK.  
 -TERMINAL: PHOSPHOR BRONZE .  
 PLATING 2:  
 POST PLATE (0.00127)/.000050 MIN GOLD IN CONTACT AREA  
 (0.00190)/.000075 MIN PURE TIN IN TAIL AREA  
 BOTH OVER (0.00127)/.000050 MIN NICKEL OVERALL.  
 2- JACK FOR MATING WITH F.C.C. 68 PLUGS 90075 MOLEX SERIES.  
 3- PRODUCT SPECIFICATION PS-9550I.  
 4- PACKAGING SPECIFICATION PK-9500I: STANDARD PACKAGING SHEET 1.  
 SPECIAL PACKAGING SHEET 2. TUBE PACKAGING SHEET 3.  
 5- MANUFACTURING I.D. CAN BE EITHER MXF, MG OR MXI.  
 6- RECOMMENDED PCB THICKNESS: 1.6mm

TYPE	POS. 4		POS. 6		POS. 8
	4 CKTS.	4 CKTS.	6 CKTS.	6 CKTS.	8 CKTS.
DIM. A	(11.18) / .440	(13.21) / .520	(13.21) / .520	(15.24) / .600	
C	(7.62) / .300	(10.16) / .400	(10.16) / .400	(11.43) / .450	
B	(3.81) / .150	(3.81) / .150	(6.35) / .250	(8.89) / .350	

MODIFIED NOTES.  
 EC NO: E2008-076  
 2007/10/05  
 DRWN:DBYRNES  
 2007/10/05  
 CHKD:  
 2007/10/05  
 APPR:EOMAHONY  
 2007/10/05

QUALITY SYMBOLS  
 ▽=0  
 ▽=0

GENERAL TOLERANCES (UNLESS SPECIFIED)

	mm	INCH
4 PLACES	± ---	± ---
3 PLACES	± ---	± .006
2 PLACES	± 0.15	± .010
1 PLACE	± 0.25	± ---
ANGULAR ± ---°		

DRAFT WHERE APPLICABLE MUST REMAIN WITHIN DIMENSIONS

DIMENSION STYLE MM/IN

DRAWN BY	DATE
DBYRNES	2006/08/02
CHECKED BY	DATE
EOMAHONY	2006/08/12
APPROVED BY	DATE
EOMAHONY	2006/08/12

MATERIAL NO. SEE CHART SHEETS 4.56&8

SCALE 4:1

DESIGN UNITS METRIC

THIRD ANGLE PROJECTION

TITLE  
 R/A LOW PROFILE  
 PC JACK 4,6,8 CKTS SIZE  
 THROUGH HOLE VERSION

MOLEX INCORPORATED

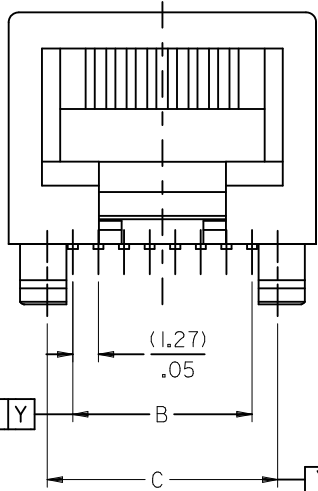
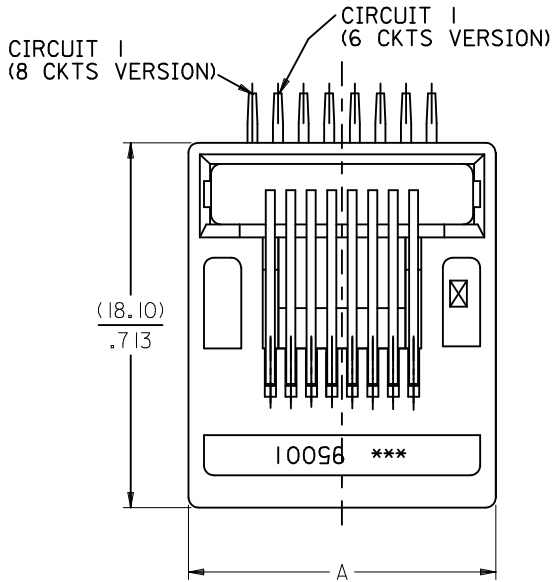
DOCUMENT NO. SD-95501-001

SHEET NO. 1 OF 5

THIS DRAWING CONTAINS INFORMATION THAT IS PROPRIETARY TO MOLEX INCORPORATED AND SHOULD NOT BE USED WITHOUT WRITTEN PERMISSION

**6 & 8 VERSIONS**

8 VERSION SHOWN

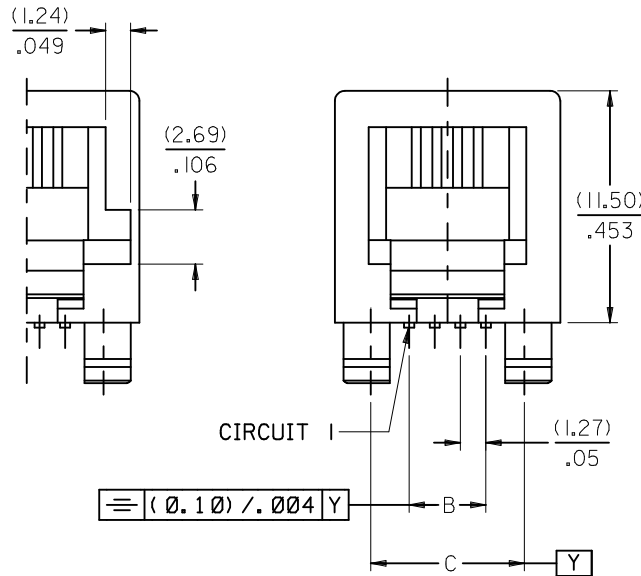


TYPE DIM.	POS. 4	POS. 6		POS. 8
	4 CKTS.	4 CKTS.	6 CKTS.	8 CKTS.
A	(11.18) / .440	(13.21) / .520	(13.21) / .520	(15.24) / .600
C	(7.62) / .300	(10.16) / .400	(10.16) / .400	(11.43) / .450
B	(3.81) / .150	(3.81) / .150	(6.35) / .250	(8.89) / .350

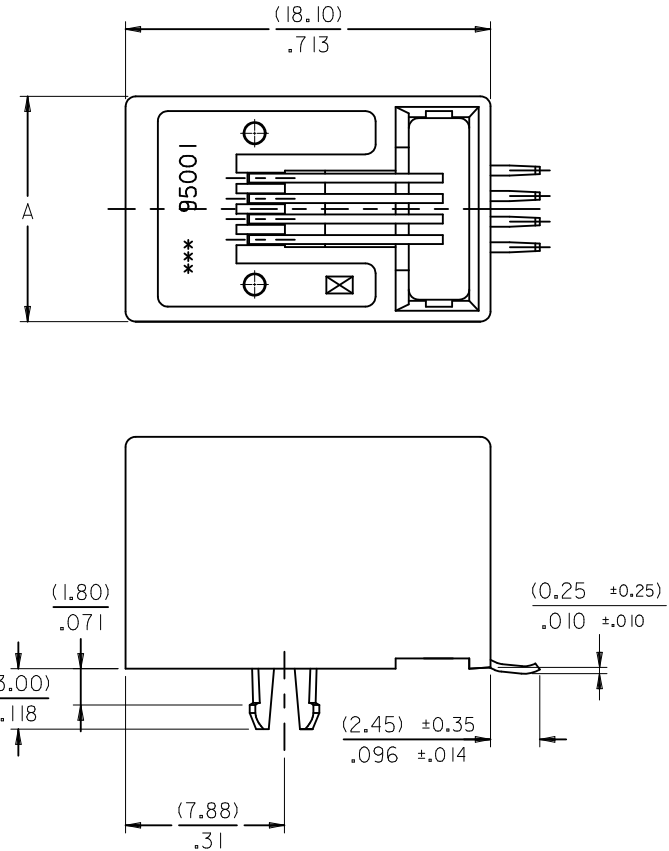
**NOTES :**

- 1- MATERIAL:  
-HOUSING: LCP GLASS FILLED UL 94V-0,  
COLOUR BLACK.
- 2- SEE OTHER NOTES SHEET 1
- 3- COPLANARITY OF SIGNAL TAILS 0.10MM

**OPTIONAL KEYING**



**4 VERSION ONLY**



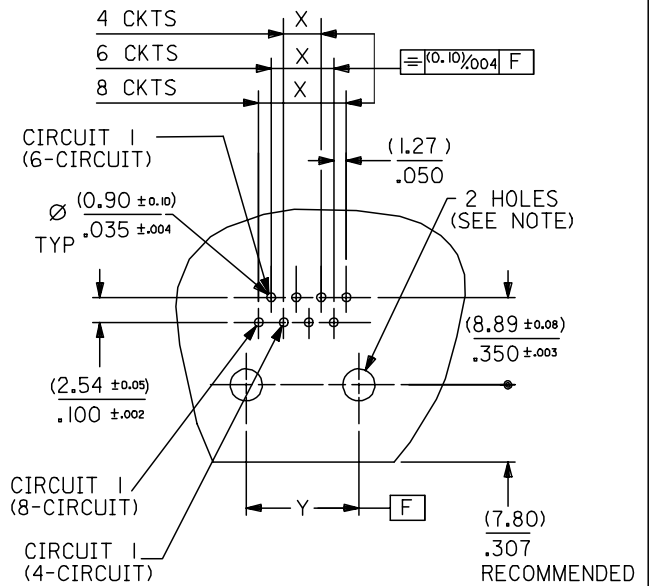
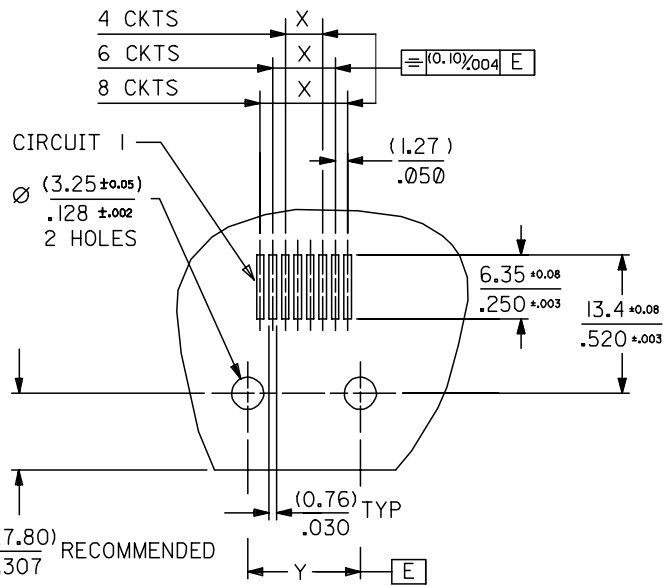
<p><b>ADDED NOTE 3.</b> EC NO: E2010-0156 DRWN:DBYRNES 2010/01/08 CHKD: 2010/01/08 APPR: J WALLACE 2010/01/08</p>	QUALITY SYMBOLS	GENERAL TOLERANCES (UNLESS SPECIFIED)	DIMENSION STYLE	SCALE	DESIGN UNITS	THIRD ANGLE PROJECTION																
	<p>▽=0 ∇=0</p>	<table border="1"> <thead> <tr> <th></th> <th>mm</th> <th>INCH</th> </tr> </thead> <tbody> <tr> <td>4 PLACES</td> <td>± ---</td> <td>± ---</td> </tr> <tr> <td>3 PLACES</td> <td>± ---</td> <td>± .006</td> </tr> <tr> <td>2 PLACES</td> <td>± 0.15</td> <td>± .010</td> </tr> <tr> <td>1 PLACE</td> <td>± 0.25</td> <td>± ---</td> </tr> </tbody> </table>		mm	INCH	4 PLACES	± ---	± ---	3 PLACES	± ---	± .006	2 PLACES	± 0.15	± .010	1 PLACE	± 0.25	± ---	MM/IN	4:1	METRIC		
		mm	INCH																			
	4 PLACES	± ---	± ---																			
3 PLACES	± ---	± .006																				
2 PLACES	± 0.15	± .010																				
1 PLACE	± 0.25	± ---																				
DRAFT WHERE APPLICABLE MUST REMAIN WITHIN DIMENSIONS	<table border="1"> <thead> <tr> <th>DRAWN BY</th> <th>DATE</th> <th>TITLE</th> </tr> </thead> <tbody> <tr> <td>DBYRNES</td> <td>2006/08/02</td> <td>R/A LOW PROFILE PC JACK 4,6,8 CKTS SIZE SMT VERSION</td> </tr> <tr> <th>CHECKED BY</th> <th>DATE</th> <th></th> </tr> <tr> <td>EOMAHONY</td> <td>2006/08/12</td> <td></td> </tr> <tr> <th>APPROVED BY</th> <th>DATE</th> <th></th> </tr> <tr> <td>EOMAHONY</td> <td>2006/08/12</td> <td></td> </tr> </tbody> </table>	DRAWN BY	DATE	TITLE	DBYRNES	2006/08/02	R/A LOW PROFILE PC JACK 4,6,8 CKTS SIZE SMT VERSION	CHECKED BY	DATE		EOMAHONY	2006/08/12		APPROVED BY	DATE		EOMAHONY	2006/08/12		<p>MOLEX INCORPORATED</p>		
DRAWN BY	DATE	TITLE																				
DBYRNES	2006/08/02	R/A LOW PROFILE PC JACK 4,6,8 CKTS SIZE SMT VERSION																				
CHECKED BY	DATE																					
EOMAHONY	2006/08/12																					
APPROVED BY	DATE																					
EOMAHONY	2006/08/12																					
		SEE CHART SHEETS 4,5&6	MATERIAL NO.	DOCUMENT NO.	SHEET NO.																	
			A3	SD-95501-001	2 OF 5																	
		THIS DRAWING CONTAINS INFORMATION THAT IS PROPRIETARY TO MOLEX INCORPORATED AND SHOULD NOT BE USED WITHOUT WRITTEN PERMISSION																				

TYPE \ DIM.	POS. 4	POS. 6		POS. 8
	4 CKTS.	4 CKTS.	6 CKTS.	8 CKTS.
Y $\pm 0.05 / \pm 0.02$	(7.62) / .300	(10.16) / .400	(10.16) / .400	(11.43) / .450
X $\pm 0.05 / +0.02$	(3.81) / .150	(3.81) / .150	(6.35) / .250	(8.89) / .350

P.C.B. MOUNTING PATTERNS - SEE FROM COMPONENT SIDE

FOR SMT JACK TYPE (SURFACE MOUNT)

FOR STANDARD JACK TYPE (THROUGH HOLE)



FOR ALL VERSIONS, CIRCUIT 1 ALWAYS ON THE LEFT SIDE

NOTE:  
FOR CONVECTION SOLDERING: DIA 3.25 $\pm$ 0.05 / .128 $\pm$ .002  
FOR WAVE SOLDERING: DIA 3.20 $\pm$ 0.10 / .126 $\pm$ .004

REV	DESCRIPTION
B	MODIFIED TABLE
	EC NO: E2008-0176
	DRWN:DBYRNES 2007/10/05
	CHKD: 2007/10/05
	APPR:EOMAHONY 2007/10/05

QUALITY SYMBOLS
$\nabla = 0$
$\triangle = 0$

GENERAL TOLERANCES (UNLESS SPECIFIED)	
mm	INCH
4 PLACES $\pm$ ---	$\pm$ ---
3 PLACES $\pm$ ---	$\pm$ .006
2 PLACES $\pm$ 0.15	$\pm$ .010
1 PLACE $\pm$ 0.25	$\pm$ ---
ANGULAR $\pm$ ---°	
DRAFT WHERE APPLICABLE MUST REMAIN WITHIN DIMENSIONS	

DIMENSION STYLE	
MM/IN	
DRAWN BY	DATE
DBYRNES	2006/08/02
CHECKED BY	DATE
EOMAHONY	2006/08/12
APPROVED BY	DATE
EOMAHONY	2006/08/12
MATERIAL NO.	
SEE CHART SHEETS 4,5&6	

SCALE	DESIGN UNITS	THIRD ANGLE PROJECTION
2:1	METRIC	
TITLE		
R/A LOW PROFILE JACK PC JACK 4,6,8 CKT SIZE SMT AND STANDARD VERSION		
MOLEX INCORPORATED		
DOCUMENT NO.	SHEET NO.	
SD-95501-001	3 OF 5	
THIS DRAWING CONTAINS INFORMATION THAT IS PROPRIETARY TO MOLEX INCORPORATED AND SHOULD NOT BE USED WITHOUT WRITTEN PERMISSION		

# SPECIAL PACKAGING TUBE, SEE PACKAGING SPEC PK95001 SHEET 3

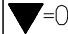
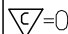
PART NO FOR JACK ASSEMBLY  
THROUGH HOLE VERSION

PART NO FOR JACK ASSEMBLY  
SMT VERSION

HOUSING SIZE	LOADED CONTACTS	PLATING	LCP GLASS FILED 94V0, COLOR BLACK.							
			NO KEY	TOOLED	KEY	TOOLED	TOOLED	TOOLED		
			NOT RIBBED		NOT RIBBED					
4	4	2	95501-2401	X						
6	4	2	95501-2601	X						
6	6	2	95501-2611	X						
8	8	2	95501-2821	X						

PLATING	LCP GLASS FILLED 94V0 COLOUR BLACK					
	NO KEY	TOOLED	KEY	TOOLED	NO KEY	TOOLED
	NOT RIBBED		NOT RIBBED		NOT RIBBED	
2	95501-6449	X				
2	95501-6649	X				
2	95501-6669	X				
2	95501-6889	X	95501-6890	X		

REMOVED GREY OPTIONS  
 EC NO: E2007-0513  
 DRWN: DBYRNES 2007/01/08  
 CHKD: 2007/01/08  
 APPR: EOMAHONY 2007/01/09

QUALITY SYMBOLS  
 =0  
 =0

GENERAL TOLERANCES (UNLESS SPECIFIED)

	mm	INCH
4 PLACES	± .005	± .0004
3 PLACES	± .005	± .0004
2 PLACES	± .005	± .0004
1 PLACE	± .005	± .0004
ANGULAR	± .005°	

DRAFT WHERE APPLICABLE  
MUST REMAIN WITHIN DIMENSIONS

DIMENSION STYLE  
MM ONLY

DRAWN BY	DATE
DBYRNES	2006/08/02
CHECKED BY	DATE
EOMAHONY	2006/08/12
APPROVED BY	DATE
EOMAHONY	2006/08/12

MATERIAL NO. SEE CHART

SCALE ---  
 DESIGN UNITS METRIC  
 THIRD ANGLE PROJECTION

TITLE  
 LOW PROFILE R/A JACK  
 STANDARD AND SMT VERSION  
 TUBE PACKAGING

MOLEX MOLEX INCORPORATED

DOCUMENT NO. SD-95501-001  
 SHEET NO. 5 OF 5

THIS DRAWING CONTAINS INFORMATION THAT IS PROPRIETARY TO MOLEX INCORPORATED AND SHOULD NOT BE USED WITHOUT WRITTEN PERMISSION