

PLEASE CHECK WWW.MOLEX.COM FOR LATEST PART INFORMATION

Part Number: [0015040292](#)
Status: **Active**
Description: Universal Polarizing Key, Black

Documents:

[Drawing \(PDF\)](#) [RoHS Certificate of Compliance \(PDF\)](#)

General

Product Family	Accessories
Series	40713
Comments	Delivered on a Carrier With 20 Parts per Strip
Component Type	Polarizing Key
MolexKits	Yes
Product Name	MX-50™

Physical

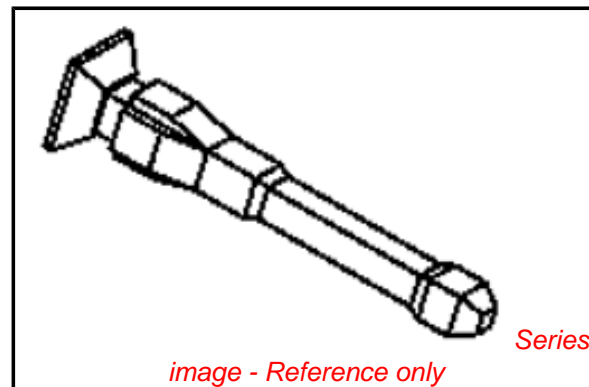
Circuits (Loaded)	1
Lock to Mating Part	No
Packaging Type	Bag

Material Info

Old Part Number	40713-01
-----------------	----------

Reference - Drawing Numbers

Sales Drawing	SD-40713-**
---------------	-------------



EU RoHS

**ELV and RoHS
Compliant**
**REACH SVHC
Contains SVHC: No**
**Halogen-Free
Status**

China RoHS



**Need more information on product
environmental compliance?**

Email productcompliance@molex.com
 For a multiple part number RoHS Certificate of
 Compliance, [click here](#)

Please visit the [Contact Us](#) section for any
 non-product compliance questions.

Search Parts in this Series

40713Series

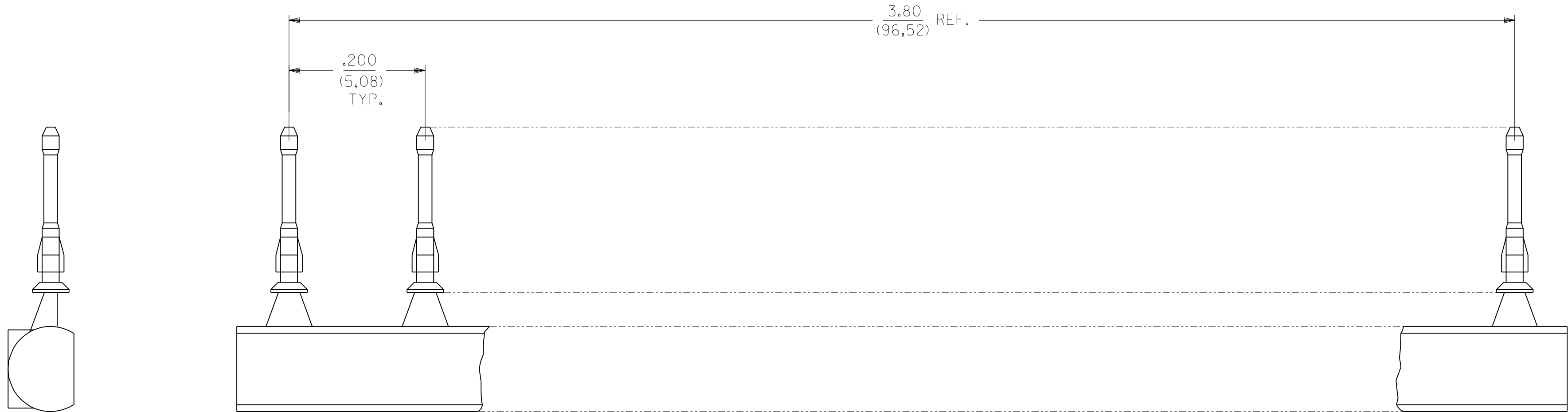
Use With

70066 SL™ Crimp Housing. 70450 SL™
 Crimp Housing. 70400 C-Grid SL™ IDT
 Connector Assembly. 70430 C-Grid SL™ .
 71850 C-Grid® Receptacle. 71395 C-Grid®
 PCB Connector

13 12 11 10 9 8 7 6 40713 4 3 2 1

J
I
H
G
F
E
D
C
B
A

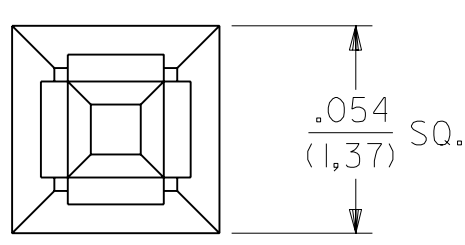
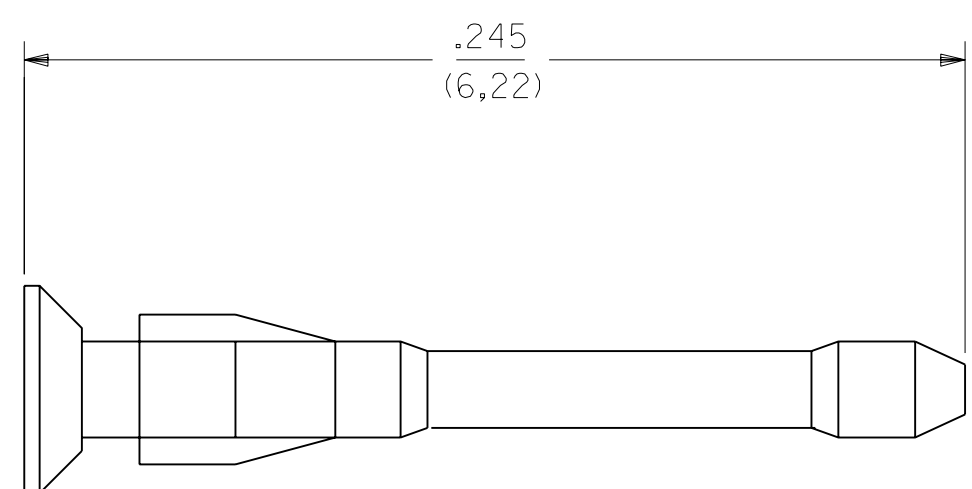
J
I
H
G
F
E
D
C
B
A



SCALE 8:1

NOTES:

1. MATERIAL: G.F. POLYESTER; UL 94V-0, COLOR: SEE CHART
2. TO BE USED WITH PRODUCT HAVING .032 - .038 SQ. PIN WINDOWS.
3. KEY IS MOLDED AS A 20-PIECE UNIT.
4. PART FUNCTIONS WITH OR WITHOUT PRESENCE OF CONTACT IN HOUSING.



SCALE 20:1

15-04-0293	WHITE
15-04-0292	BLACK
ORDER NO.	COLOR PIN MATERIAL

D ADD TO CAD
ECN UDT2001-0538
SCHAFFER 00/11/17

DIMENSIONS SHOWN (METRIC) INCH		UNLESS OTHERWISE SPECIFIED TOLERANCES: ANGULAR ± 1/2°		▽ = 0 ▼ = 0		REVISE ONLY ON CAD SYSTEM	
				TITLE		UNIVERSAL POLARIZING PIN	
				PART NO.		SD-40713-**	
				SHEET NO.		1 OF 1	
				DATE		11 / 17 / 00	
				MFG. SH.		60532	
				REV.		---	
				LTR.		---	
				REVISIONS			
				DRWG. NO.			
				FILE NAME			
				THIS DRAWING CONTAINS INFORMATION THAT IS PROPRIETARY TO MOLEX INC. AND SHOULD NOT BE USED WITHOUT WRITTEN PERMISSION.			
				DD		C	

13 12 11 10 9 8 7 6 5 4 3 2 1

40713