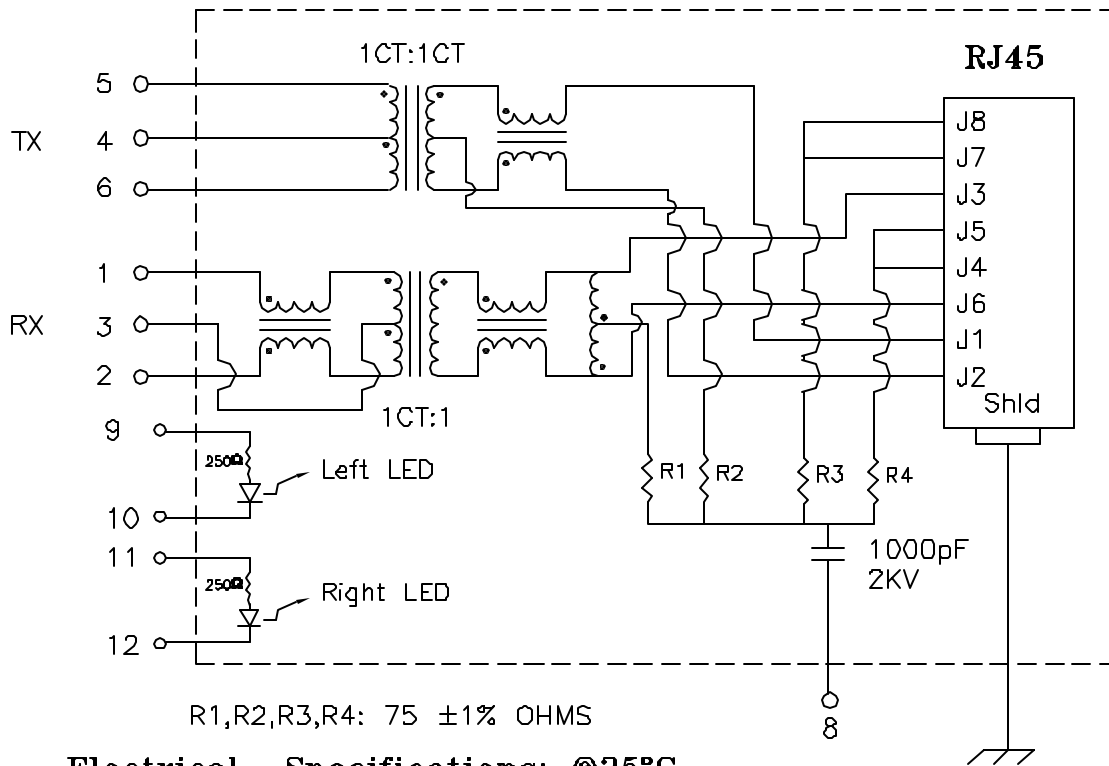


Schematic:



Electrical Specifications: @25°C

Isolation Voltage: 2250 Vdc Min

UTP SIDE OCL: 350uH Min @100KHz 100mV 8mADC

Rise Time (10-90%): 2.5ns Typical

Insertion Loss:

1.0 dB Max @0.300MHz - 1.0MHz

0.3 dB Max @1.0MHz - 15.0MHz

0.85 dB Max @15.0MHz - 60.0MHz

1.1 dB Max @60.0MHz - 80.0MHz

1.1 dB Max @80.0MHz - 100.0MHz

Crosstalk:

43.0 dB MIN @0.300MHz - 1.0MHz

43.0 dB Min @1.0MHz - 15.0MHz

43.0 dB Min @15.0MHz - 60.0MHz

38.0 dB Min @60.0MHz - 80.0MHz

38.0 dB Min @80.0MHz - 100.0MHz

Return Loss:

18.0 dB Min @0.300MHz - 1.0MHz

18.0 dB Min @1.0MHz - 15.0MHz

18.0 dB TYP @15.0MHz - 60.0MHz

15.0 dB TYP @60.0MHz - 80.0MHz

12.0 dB TYP @80.0MHz - 100.0MHz

CMRR:

TX 46.0 RX 35.0 dB Min @0.300MHz - 1.0MHz

TX 46.0 RX 35.0 dB Min @1.0MHz - 15.0MHz

TX 46.0 RX 35.0 dB Min @15.0MHz - 60.0MHz

TX 42.0 RX 33.0 dB Min @60.0MHz - 80.0MHz

TX 42.0 RX 33.0 dB Min @80.0MHz - 100.0MHz

Complete the Combo P/N as follows:

Replace 'x' & 'u' in the part number with one of the LED color letters:

Y=Yellow

G=Green

A=Amber

R=Red

'x' = Left LED Color

'u' = Right LED Color

C=Green(1)/Amber(2) Bicolor

D=Amber(1)/Green(2) Bicolor

M=Green(1)/Yellow(2) Bicolor

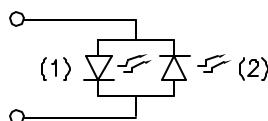
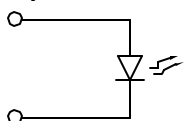
N=Yellow(1)/Green(2) Bicolor

P=Red(1)/Green(2) Bicolor

Q=Green(1)/Red(2) Bicolor

Single Color LED:

Bi-Color LED:



DOC. REV: A/1

Notes:

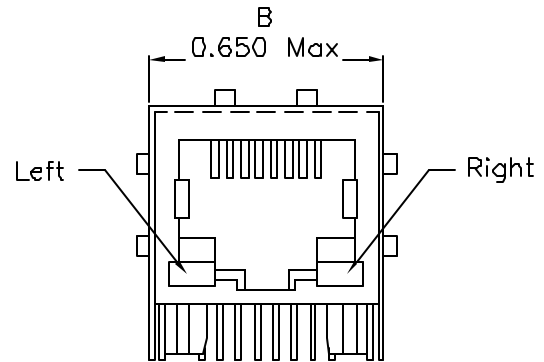
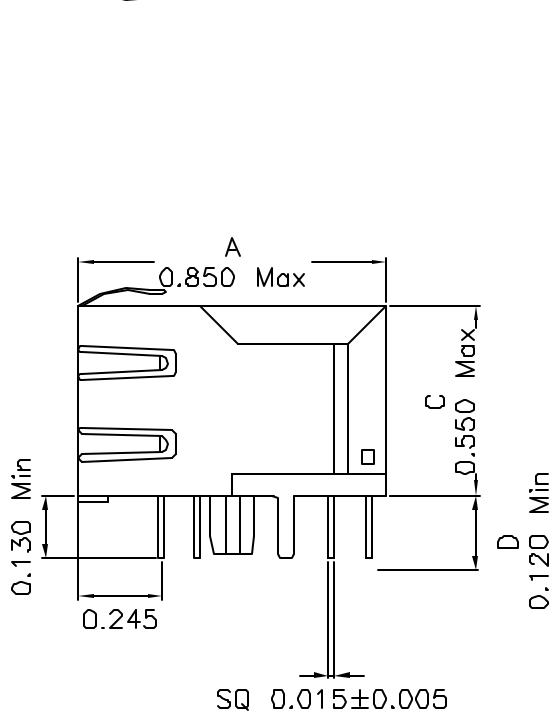
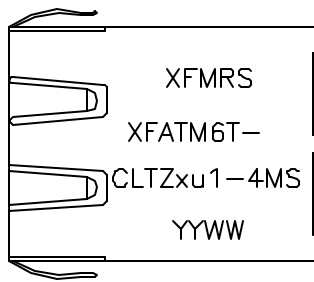
- Solderability: Leads shall meet MIL-STD-202, Method 208D for solderability.
- Flammability: UL94V-0
- ASTM oxygen Index: > 28%
- Insulation System: Class F 155°C. UL file E151556
- Operating Temperature Range: All listed parameters are to be within tolerance from -40°C to +85°C
- Storage Temperature Range: -55°C to +125°C
- Aqueous wash compatible
- SMD Lead Coplanarity: ±0.004*(0.102mm)
- Moisture Sensitivity: Level 2

PROPRIETARY:

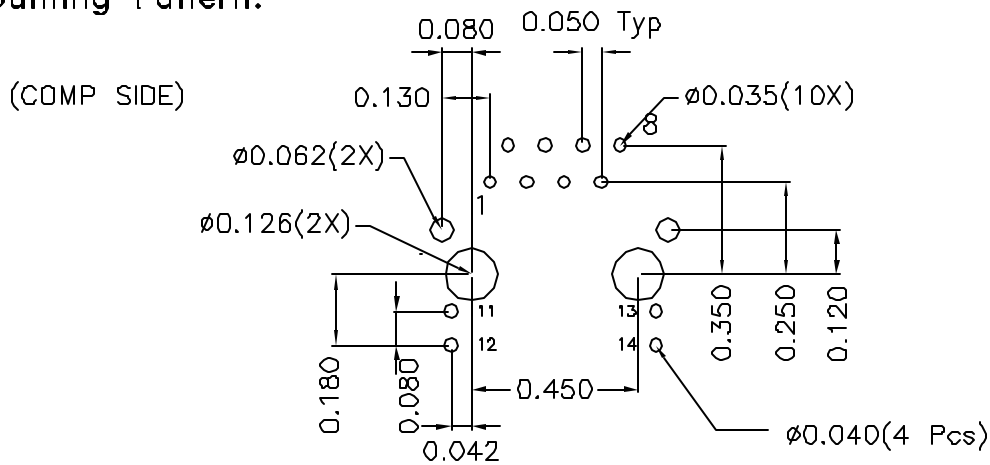
Document is the property of XFMRs Group & is not allowed to be duplicated without authorization.

XFMRs Inc.		Title: SINGLE PORT COMBO	
UNLESS OTHERWISE SPECIFIED		P/N: XFATM6T-CLTZxu1-4MS	REV. A
TOLERANCES:		DWN.	Juan Mao Jul-08-04
.xxx ±0.010		CHK.	YK Liao Jul-08-04
Dimensions in Inch		APP.	J Ng Jul-08-04
SHEET 1 OF 2			

Mechanical Dimensions:



Mounting Pattern:



DOC. REV: A/1

XFMRS Inc.	Title: Mechanical Dimensions		
	UNLESS OTHERWISE SPECIFIED TOLERANCES: .xxx ±0.010 Dimensions in Inch	P/N: XFATM6T-CLTZxu1-4MS	REV. A
SHEET 2 OF 2	DWN.	Juan Mao	Jul-08-04
	CHK.	YK Liao	Jul-08-04
	APP.	J Ng	Jul-08-04

PROPRIETARY:

Document is the property of XFMRS Group & is not allowed to be duplicated without authorization.