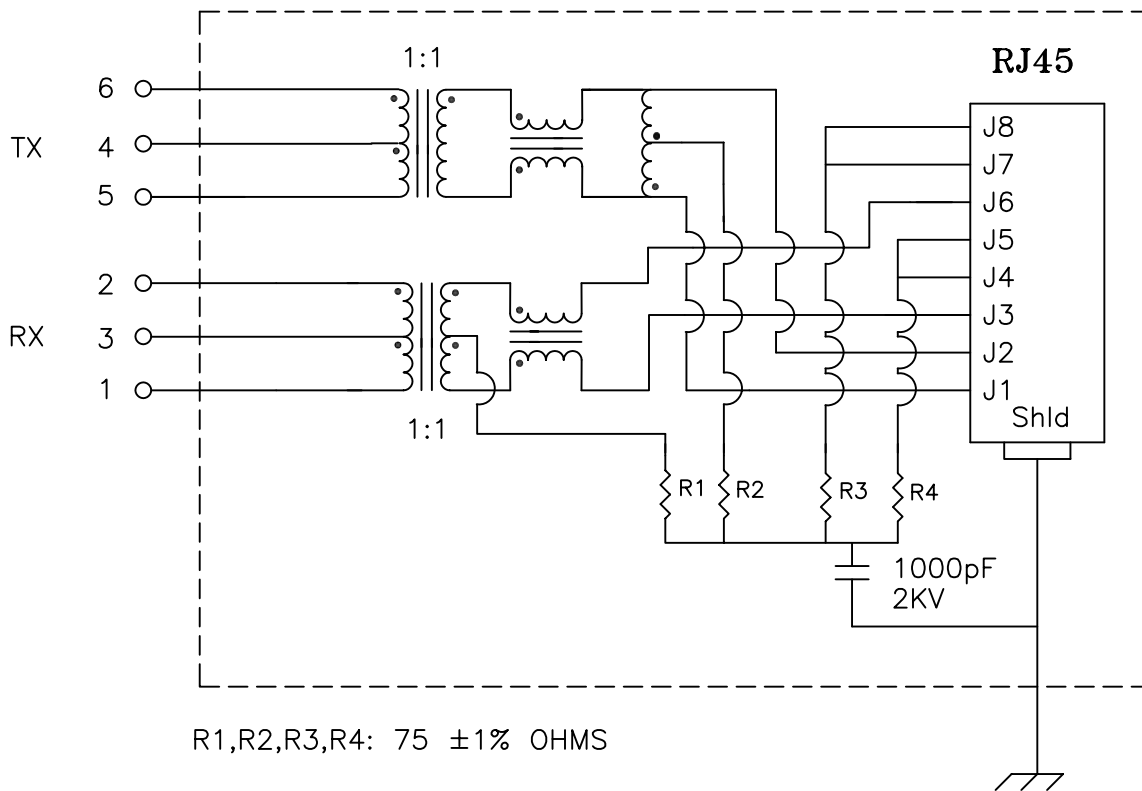


Schematic:

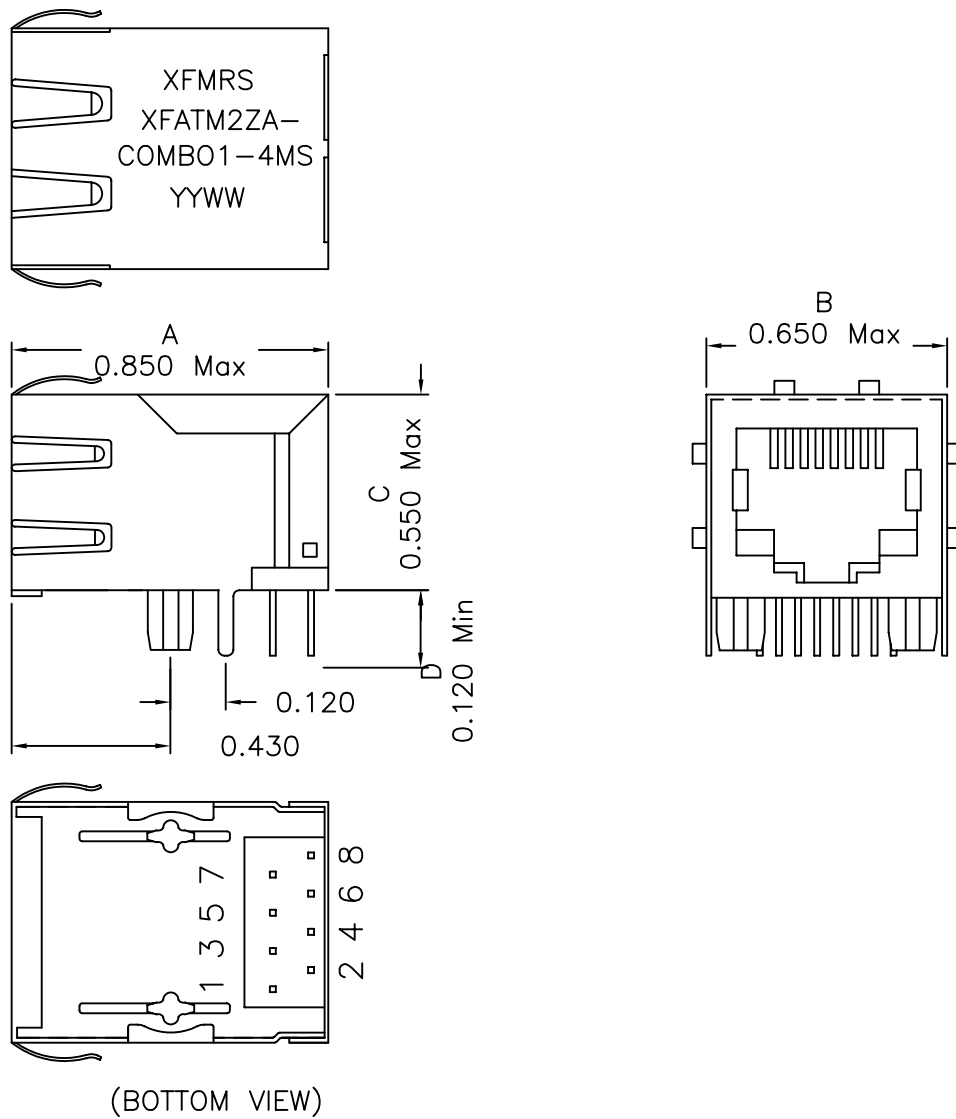


Electrical Specifications: @25°C

Isolation Voltage: 1500 Vac
 Isolation Voltage: 500 Vac (1+2+3+5+6+7)
 UTP SIDE OCL: 350uH Min @100KHz 100mV 8mADC
 Rise Time (10–90%): 2.5ns Typical
 Insertion Loss (300KHz–100MHz): –1.1dB Maximum
 Insertion Loss (100MHz–125MHz): –1.5dB Maximum
 Return Loss: –12dB Typical @300KHz – 100MHz
 Crosstalk:
 100KHz–60MHz –40dB Typical
 60MHz–100MHz –38dB Typical
 Common Mode to Differential Mode Rejection:
 1MHz–100MHz –30dB Typ (Tx) / –30dB Typ (Rx)
 200MHz –20dB Typ (Tx) / –20dB Typ (Rx)

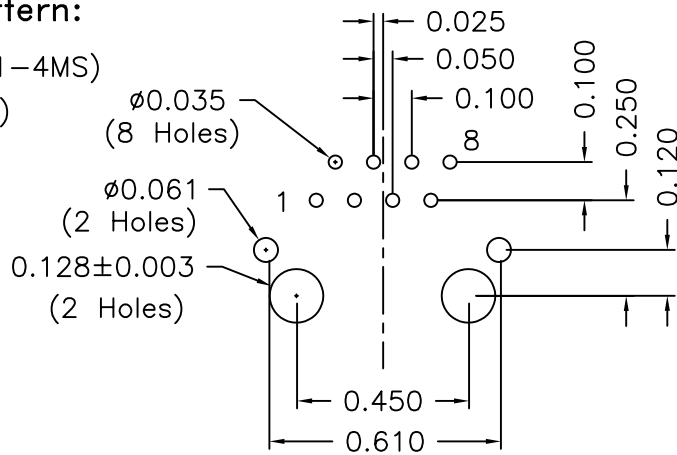
XFMRs Inc. UNLESS OTHERWISE SPECIFIED TOLERANCES: .xxx ±0.010 Dimensions in Inch SHEET 1 OF 2	Title: SINGLE PORT COMBO	
	P/N: XFATM2ZA-COMBO1-4MS	REV. A
	DWN. 廖玉坤	Mar-21-01
	CHK. 李清儿	Mar-21-01
DOC. REV: A/1	APP. BW	Mar-21-01

Mechanical Dimensions:



Mounting Pattern:

(FOR COMBO1-4MS)
(COMP SIDE)



DOC. REV: A/1

XFMRs Inc.	Title: Mechanical Dimensions For COMBO1-4MS Series		
	UNLESS OTHERWISE SPECIFIED TOLERANCES: .xxx ±0.010 Dimensions in Inch	P/N: XFATM2ZA-COMBO1-4MS	REV. A
SHEET 2 OF 2	DWN.	廖玉坤	Mar-21-01
	CHK.	李清儿	Mar-21-01
	APP.	BW	Mar-21-01