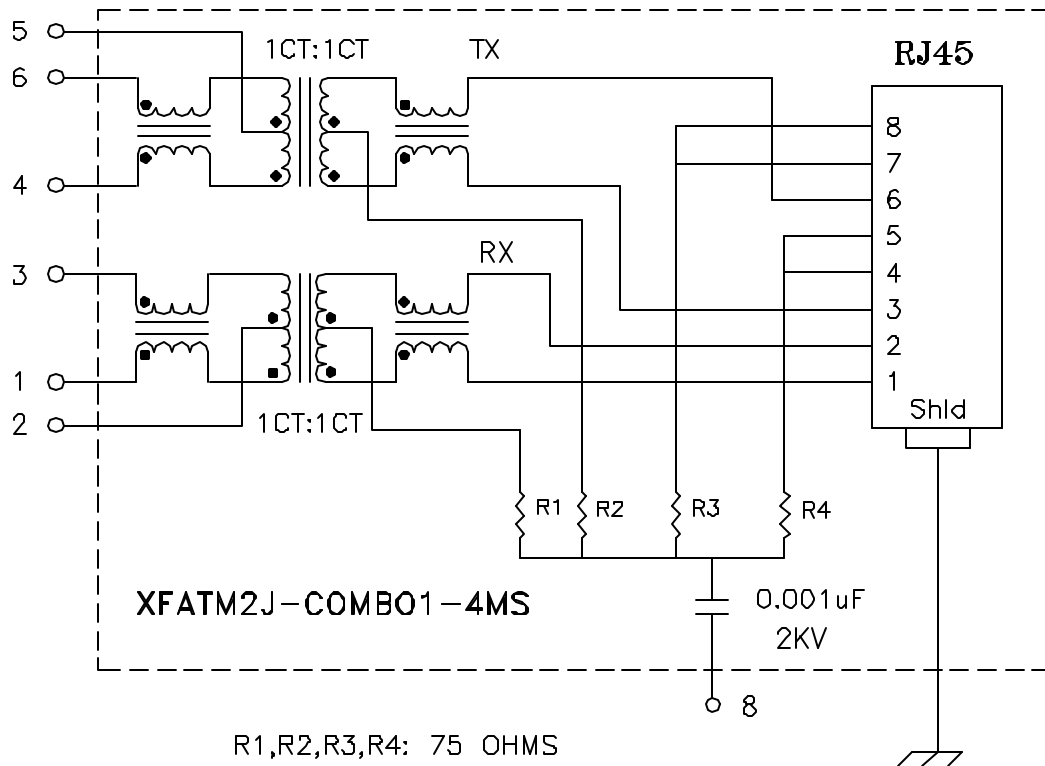


**Schematic:**



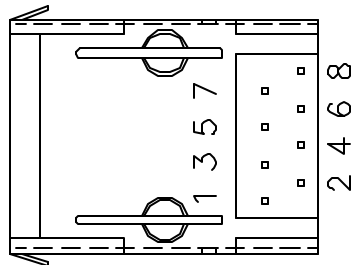
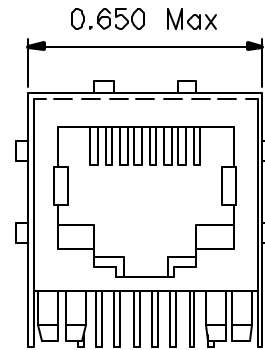
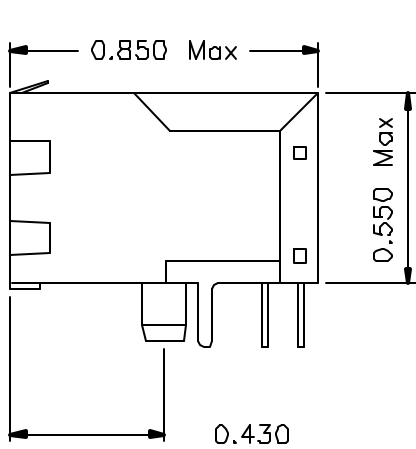
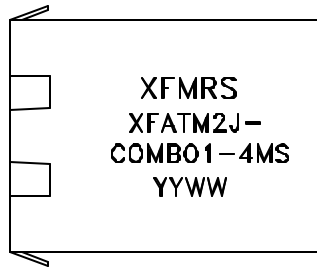
**Electrical Specifications: @25°C**

- Isolation Voltage: 1500 Vrms (Input to Output)
- Isolation Voltage: 500 Vrms (P1+2+3 to P4+5+6)
- Turns Ratio: TX 1CT:1CT  $\pm 3\%$  RX 1CT:1CT  $\pm 3\%$
- CABLE SIDE OCL: 350uH Minimum @100KHz 100mV 8mADC
- Cw/w: 27pF Typical @100KHz 100mV
- Insertion Loss (300KHz-100MHz): -1.0dB Minimum
- Return Loss: @30MHz -20dB Minimum
- @80MHz -15dB Minimum

DOC. REV: A/1

<b>XFMRs Inc.</b>	Title: <b>SINGLE PORT COMBO</b>		
	UNLESS OTHERWISE SPECIFIED TOLERANCES: .xxx $\pm 0.010$ Dimensions in Inch	P/N: XFATM2J-COMBO1-4MS	REV. A
	DWN.	李清儿	Jul-26-00
	CHK.	孙小悦	Jul-26-00
SHEET 1 OF 2	APP.	Joe Huff	Jul-26-00

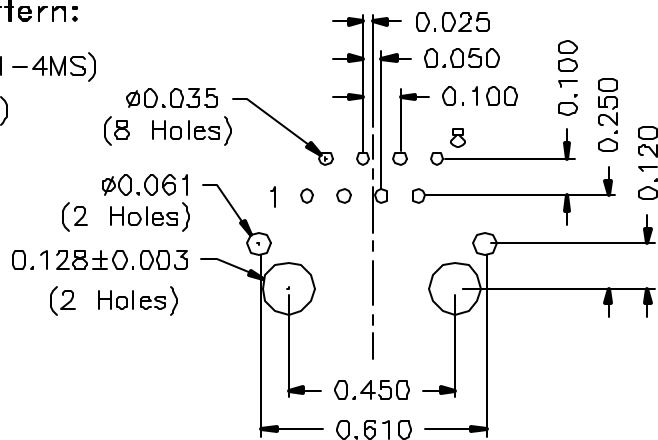
# Mechanical Dimensions:



(BOTTOM VIEW)

# Mounting Pattern:

(FOR COMBO1-4MS)  
(COMP SIDE)



<b>XFMR5 Inc.</b>		Title: Mechanical Dimensions For COMBO1-4MS Series	
UNLESS OTHERWISE SPECIFIED TOLERANCES: .xxx ±0.010 Dimensions in Inch	XFATM2J-COMBO1-4MS		REV A
	DWN.	李清儿	Jul-26-00
	CHK.	孙小松	Jul-26-00
SHEET 2 OF 2	APP.	Joe Huff	Jul-26-00