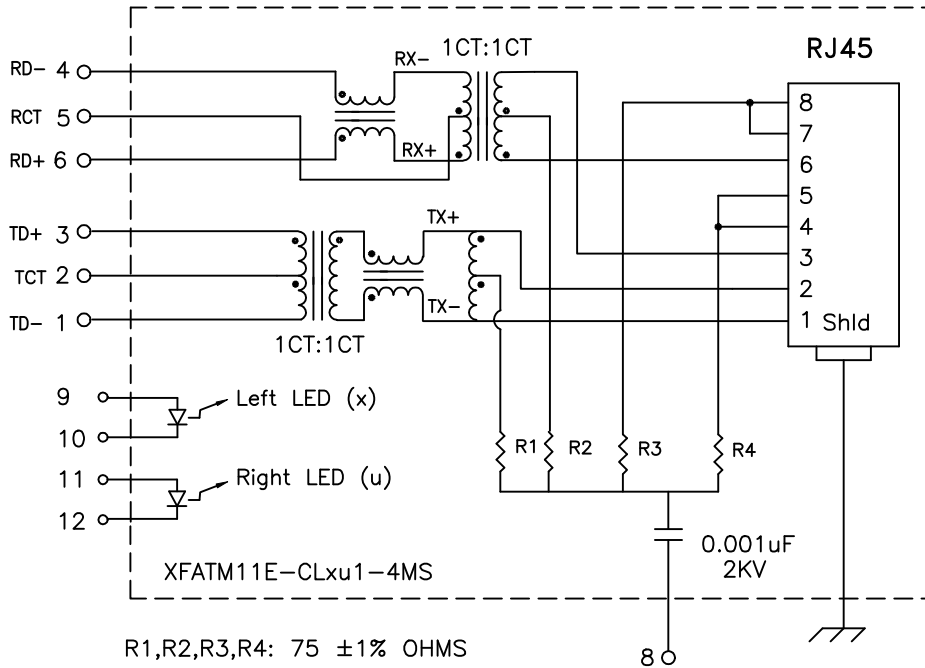


## Schematic:



## Electrical Specifications: @25°C

UTP Impedance: 100 OHMS

Turns Ratio: TX : 1CT:1CT (±2%) RX : 1CT:1CT (±2%)

Isolation Voltage: 1500 VAC (Input to Output)

UTP Side OCL: 350uH Minimum @100KHz,100mV 8mADC

Insertion Loss (0.1MHz-100MHz): -1.0dB Maximum

Return Loss: 1MHz-30MHz 40MHz 50MHz 60MHz-80MHz  
 -18dB Typ -16dB Typ -14dB Typ -12dB Typ

CMRR: 30MHz 60MHz 100MHz  
 -35dB Min -30dB Min -25dB Min

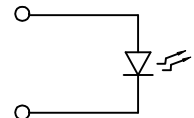
Crosstalk: 30MHz 60MHz 100MHz  
 -50dB Min -40dB Min -35dB Min

Complete the Combo P/N as follows:

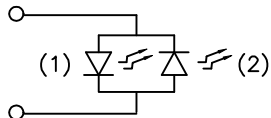
Replace 'x' & 'u' in the part number with one of the LED color letters:

Y=Yellow                      'x' = Left LED Color  
 G=Green                        'u' = Right LED Color  
 A=Amber  
 R=Red  
 N=Yellow(1)/Green(2) Bicolor  
 M=Green(1)/Yellow(2) Bicolor

Single Color LED:



Bi-Color LED:



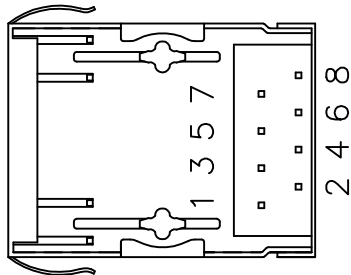
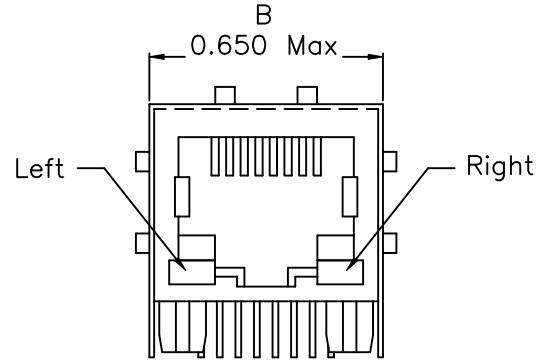
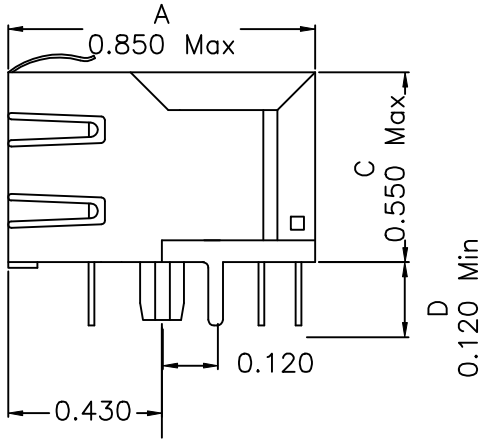
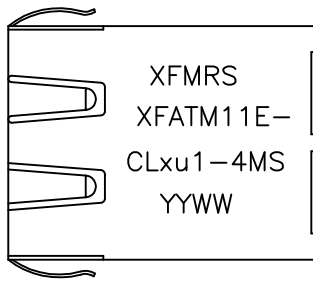
Notes:

1. Solderability: Leads shall meet MIL-STD-202, Method 208D for solderability.
2. Flammability: UL94V-0
3. ASTM oxygen index: > 28%
4. Temperature rating: 155°C. UL file E151556
5. Operating Temperature Range: 0°C to +70°C
6. IR Reflow Compatible

<b>XFMRs Inc.</b>		Title: <b>SINGLE PORT COMBO</b>	
UNLESS OTHERWISE SPECIFIED		P/N: XFATM11E-CLxu1-4MS	REV. A
TOLERANCES: .xxx ±0.010		DWN. 廖玉坤	Jun-18-03
Dimensions in Inch		CHK. 李清儿	Jun-18-03
SHEET 1 OF 2		APP. BW	Jun-18-03

DOC. REV: A/2

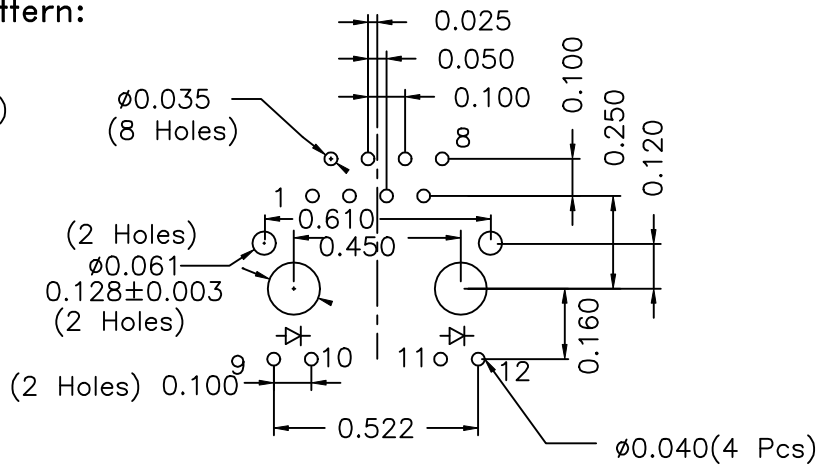
### Mechanical Dimensions:



(BOTTOM VIEW)

### Mounting Pattern:

(COMP SIDE)



<b>XFMRS Inc.</b>	Title: Mechanical Dimensions For CLxu1-4MS Series		
UNLESS OTHERWISE SPECIFIED	P/N: XFATM11E-CLxu1-4MS	REV. A	
TOLERANCES: .xxx ±0.010	DWN.	李小锋	Jun-18-03
Dimensions in Inch	CHK.	廖玉坤	Jun-18-03
SHEET 2 OF 2	APP.	BW	Jun-18-03

DOC. REV: A/2