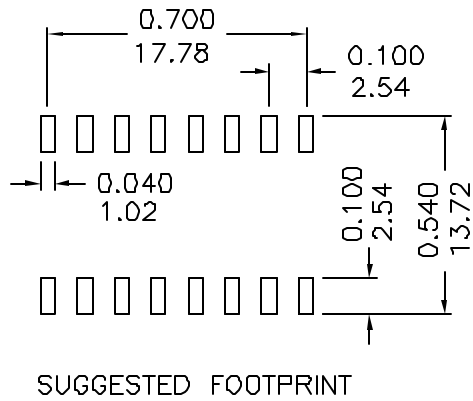
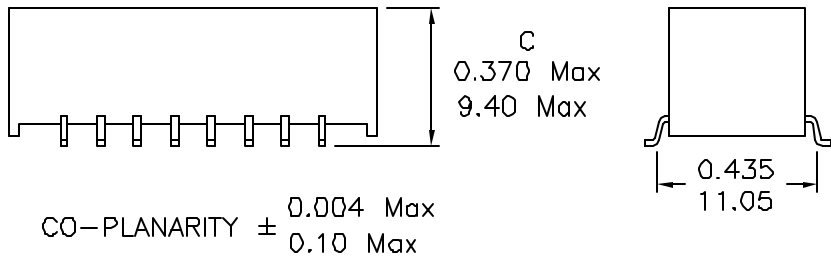
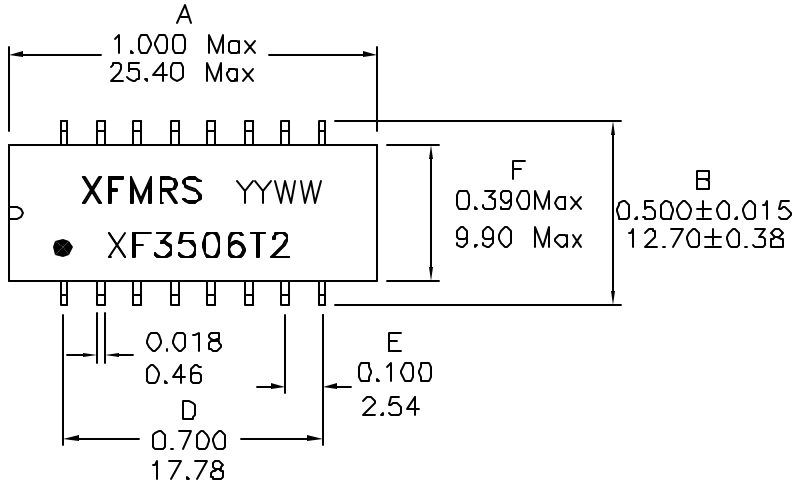
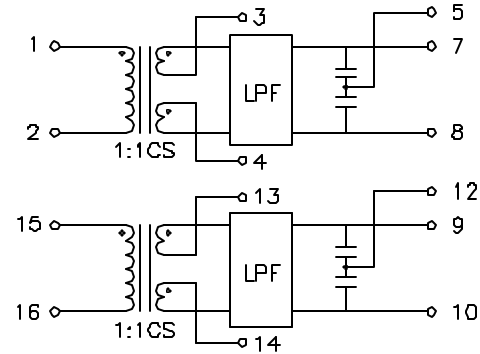


1. Dimensions:



2. Schematic:



3. Electrical Specifications: @25°C

- Return Loss (1-17MHz): 16dB Minimum
- Return Loss (17-25MHz): 9dB Minimum
- Insertion Loss: 12KHz 4MHz 16MHz 24MHz
3.0 0.6 1.0 1.8 (dB Max)
- Insertion Loss: 10dB Min @36MHz
- Common Mode Rejection: 20dB Minimum @5MHz
25dB Minimum @20MHz
20dB Minimum @200MHz
- Cross Talk: 50dB Minimum @5MHz
50dB Minimum @16MHz
46dB Minimum @24MHz
- HIPOT: 600 Vrms

Notes:

1. Solderability: Leads shall meet MIL-STD-202, Method 208D for solderability.
2. Flammability: UL94V-0,
3. ASTM oxygen index: > 28% ,
4. Temperature rating: 155°C. UL file E151556,
5. Operating Temperature Range: -40°C to +85°C

XFMRS INC.	Title: ATM 25 MBPS FILTER	
	P/N: XF3506T2	REV. A
UNLESS OTHERWISE SPECIFIED TOLERANCES: .xxx ±0.010 Inch Dimensions in Inch/mm	DWN.	李小锋 Jul-08-02
	CHK.	廖玉坤 Jul-08-02
	APP.	Isaiah M Jul-08-02

DOC. REV A/4