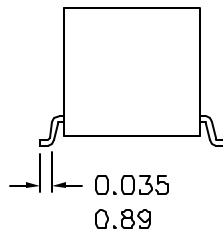
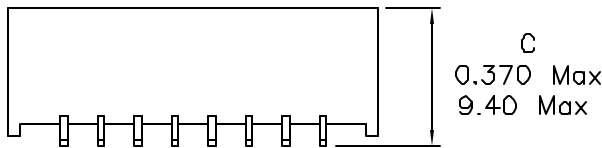
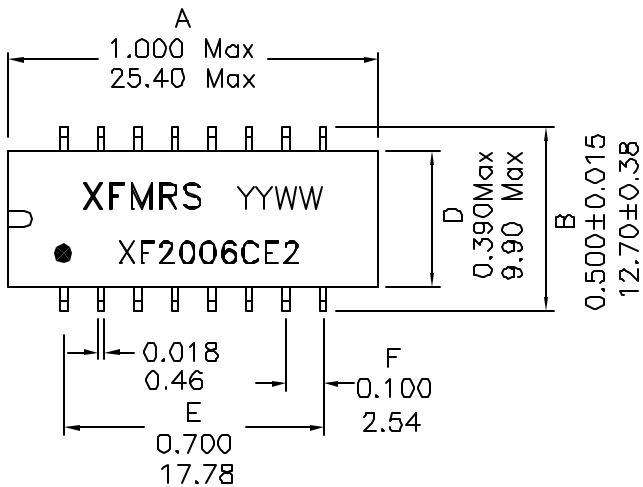
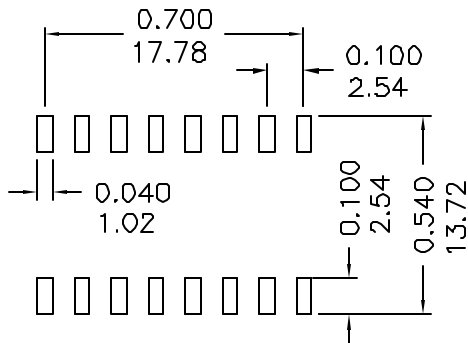


1. Dimensions:



CO-PLANARITY ± 0.004 Max
0.10 Max



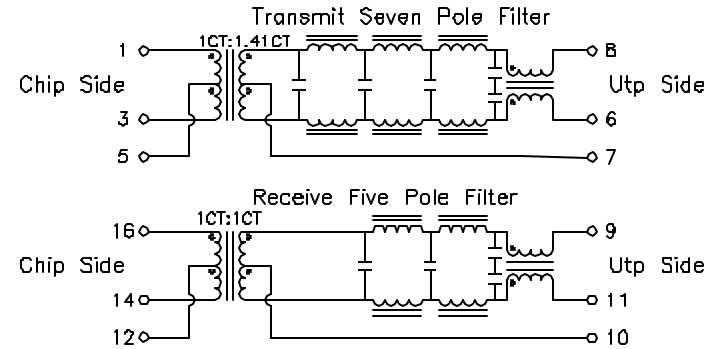
SUGGESTED FOOTPRINT

Notes:

- Solderability: Leads shall meet MIL-STD-202, Method 208D for solderability.
- Flammability: UL94V-0
- ASTM oxygen index: > 28%
- Insulation System: Class F 155°C. UL file E151556
- Operating Temperature Range: All listed parameters are to be within tolerance from -40°C to +85°C
- Storage Temperature Range: -55°C to +125°C
- Aqueous wash compatible
- SMD Lead Coplanarity: ±0.004*(0.102mm)
- Moisture Sensitivity: Level 3
- Electrical and mechanical specifications 100% tested
- RoHS Compliant Component

DOC REV A/1

2. Schematic:



3. Electrical Specifications: @25°C

Turns ratio: TX: 1CT:1.41CT±3% RX: 1CT:1CT±3%

Isolation Voltage: 1500VAC (INPUT/OUTPUT)

TX Insertion Loss (5-10MHz): -1.2dB Max

RX Insertion Loss (1-10MHz): -1.0dB Max

Return Loss (5-10MHz): -15dB Min

Crosstalk (1-10MHz): -30dB Min

Common mode rejection (30-100MHz): -24dB Min

Attenuation (TX): -7dB Min @20MHz

-19dB Min @25MHz

-30dB Min @30MHz

-32dB Min @40MHz

Attenuation (RX): -6dB Min @20MHz

-14dB Min @25MHz

-20dB Min @30MHz

-31dB Min @40MHz

Cut-Off: 17MHz±1.5MHz

XFMRs Inc www.XFMRs.com	Title: 10 BASE-T FILTER		
	UNLESS OTHERWISE SPECIFIED	P/N: XF2006CE2	REV. A
TOLERANCES:	DWN.	廖玉坤	Dec-17-04
.xxx ±0.010 Inch	CHK.	李清儿	Dec-17-04
Dimensions in Inch/mm	APP.	J Ng	Dec-17-04
SHEET 1 OF 1			