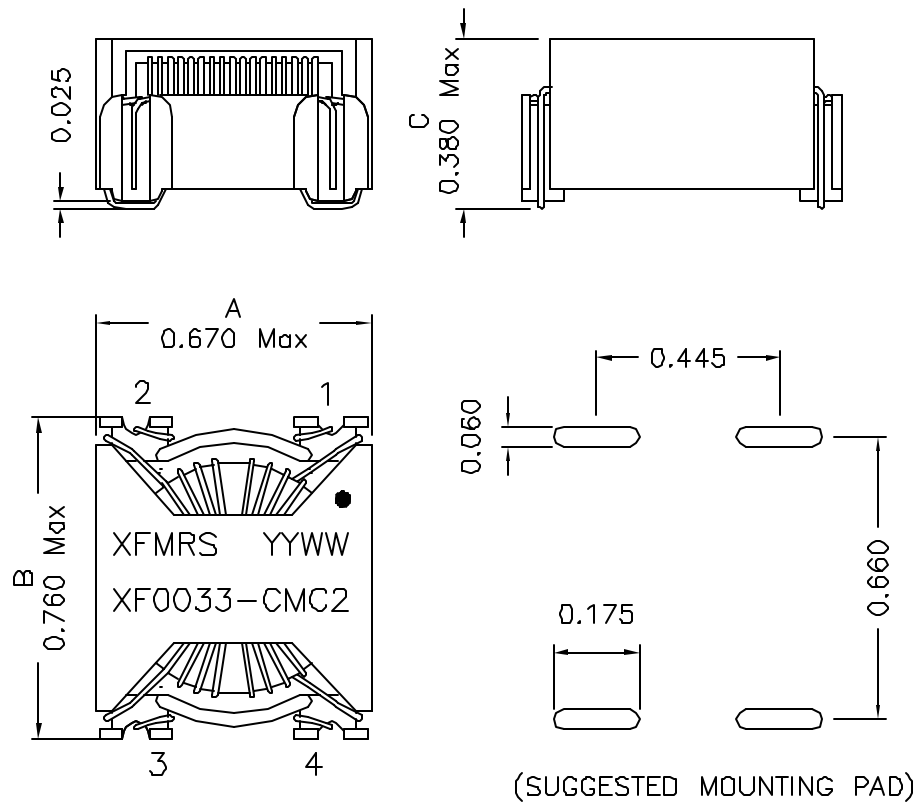
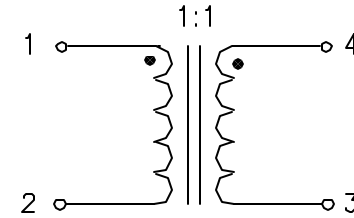


1. Mechanical Dimensions:



2. Schematic:



3. Electrical Specification:

TURNS RATIO: 1:1
 OCL: 3.0mH $\pm 25\%$ @10KHz 1.0V
 LL: 6.0uH Min @10KHz 1.0V
 Q: 4.0 Min @10KHz 0.1V
 DCR: 0.080 OHMS MAX
 Rated Current (For 55c Rise): 2.5 A

Notes:

1. Solderability: Leads shall meet MIL-STD-202G, Method 208H for solderability.
2. Flammability: UL94V-0
3. ASTM oxygen index: > 28%
4. Insulation System: Class F 155°C, UL file E151556
5. Operating Temperature Range: All listed parameters are to be within tolerance from -40°C to +85°C
6. Storage Temperature Range: -55°C to +125°C
7. Aqueous wash compatible
8. SMD Lead Coplanarity: $\pm 0.004"$ (0.102mm)
9. Mafsture Sensitivity: Level 3
10. Electrical and mechanical specifications 100% tested
11. RoHS Compliant Component

DOC. REV A/6

XFMRS Inc. www.XFMRS.com	Title: Common Mode Choke		
	P/N: XF0033-CMC2		REV. A
UNLESS OTHERWISE SPECIFIED TOLERANCES: .xxx ± 0.010 INCH Dimensions in INCH	DWN.	李小锋	Oct-06-05
	CHK.	廖玉坤	Oct-06-05
	APP.	BW	Oct-06-05
SHEET 1 OF 1			