

AC COOLING FAN

120x120x25mm

- Voltage: 115 & 230 VAC
- Bearing options: Ball, Sleeve or Oil Bearing
- Material on housing: Aluminium Alloy Housing
- Airflow range: 61 CFM
- Suitable for PSU, Racks and Test Instruments



SPECIFICATION

Part No.	Bearing	Voltage/Freq(V/Hz)	Current(A)	Power (W)	Speed(RPM)	Air flow(CFM)	Pressure(mmAq)	Noise(dB/A)	Weight(g)
DBF12025x115M	Ball, Sleeve, Oil	115/50	0.22	23.00	2050	61.0	3.23	38.7	339
DBF12025x230M	Ball, Sleeve, Oil	230/50	0.11	20.70	2050	61.0	3.23	38.7	339

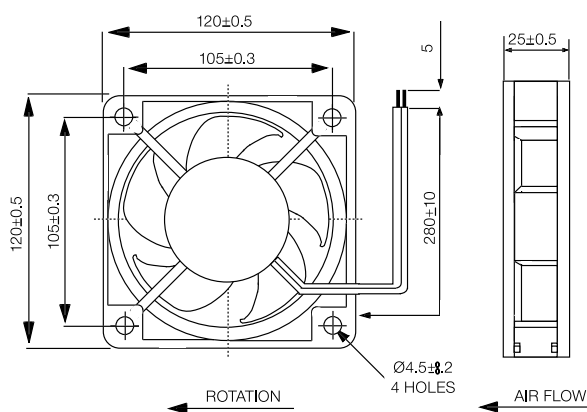
Impeller: Plastic (UL;94V-0)

Lead Wire: UL1430 AWG22

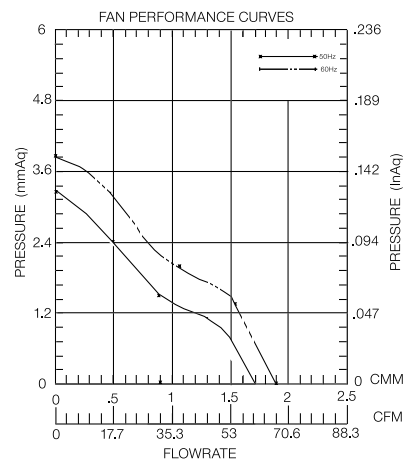
Operating Temp:-10° to 70° C

SECTION 12

EXTERNAL DIMENSIONS



PERFORMANCE CURVE



ORDERING INFORMATION

DBF	12025	B	115	M	T
Dubilier Fans	Size	Bearing	Voltage	Airflow	Lead Type
	120x120x25mm	B=Ball S=Sleeve G=Oil	115=115vac 230=230vac	M=Medium	T=Terminal W=Wires