

**PLEASE CHECK WWW.MOLEX.COM FOR LATEST PART INFORMATION**

**Part Number:** [1200840016](#)  
**Status:** **Active**  
**Overview:** [ultralock connection system](#)  
**Description:** Ultra-Lock® (M12) 5 Pole, Front Panel Mount Receptacle, 1/2"-14 NPT Mounting Thread, 22 AWG PVC Leads, 0.30M (11.81")

**Documents:**

[Drawing \(PDF\)](#) [RoHS Certificate of Compliance \(PDF\)](#)

**Agency Certification**

CSA LR6837

**General**

Product Family	Industrial Receptacles
Series	<a href="#">120084</a>
IP Rating	IP69K
NEMA Rating	NEMA 6
Overview	<a href="#">ultralock connection system</a>
Product Name	Ultra-Lock® (M12)
Type	Single Ended (pigtail)

**Physical**

Coupling Type	Internal Thread
Gender	Female
Keyway	Single
Length	0.30m (11.81")
Material - Component	Nickel-plated Brass
Mounting Thread Size	1/2" - 14 NPT
Orientation	Straight
Panel Mount	Front
Poles	5
Temperature Range - Operating	-25°C to +90°C
Wire Size AWG	22
Wire/Cable Type	UL 1061

**Electrical**

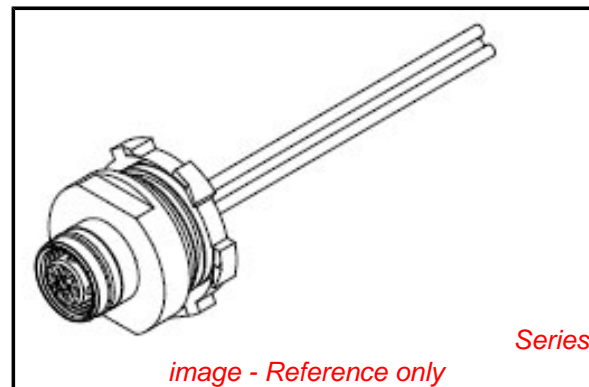
Current - Maximum per Contact	4A
Voltage - Maximum	250V AC/DC

**Material Info**

Old Part Number	WR5000A18C300
-----------------	---------------

**Reference - Drawing Numbers**

Sales Drawing	SD-120084-027
---------------	---------------



**EU RoHS**

**ELV and RoHS  
Compliant**  
**REACH SVHC  
Not Reviewed**  
**Halogen-Free  
Status  
Not Reviewed**

**China RoHS**

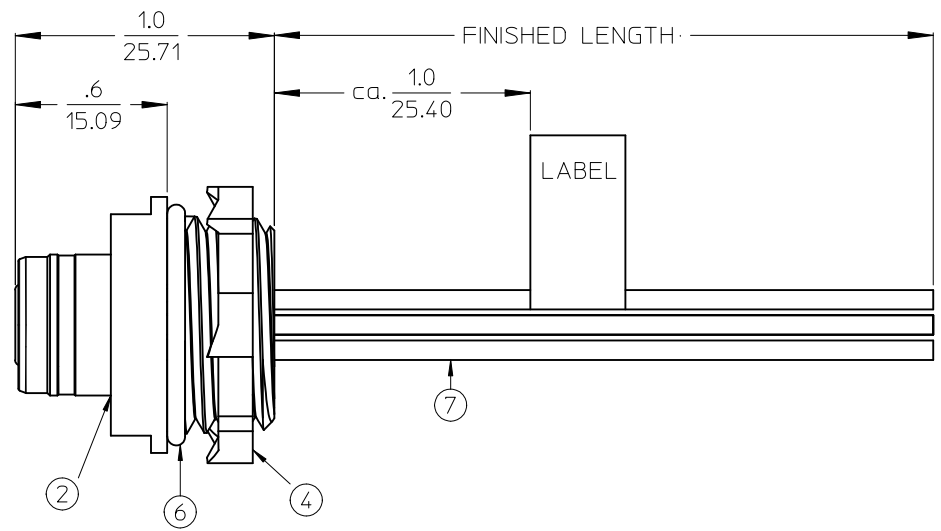
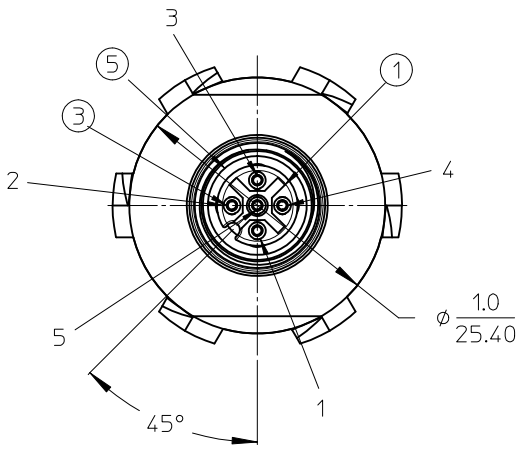


**Need more information on product  
environmental compliance?**

Email [productcompliance@molex.com](mailto:productcompliance@molex.com)  
 For a multiple part number RoHS Certificate of Compliance, [click here](#)

Please visit the [Contact Us](#) section for any non-product compliance questions.

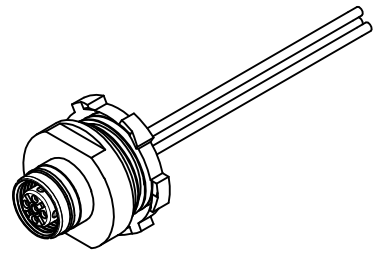
**Search Parts in this Series**  
[120084Series](#)



ITEM	COMPONENT	MATERIAL	FINISH
1	INSERT	TPU	BLACK
2	HOUSING	BRASS	NICKEL PLATED
3	CONTACT	BRASS / GOLD	CuZn Ni/ Au
4	LOCK NUT	STEEL	ZINK PLATED
5	O-RING	VITON	RED
6	O-RING	NBR	BLACK
7	WIRES	COPPER/PVC	SEE TABLE

- 1 - BROWN
- 2 - WHITE
- 3 - BLUE
- 4 - BLACK
- 5 - GREY

POLE	MATERIAL NO	ENGINEERING NO	FINISHED LENGTH
4	1200840007	WR4000A18C300	300 mm
5	1200840016	WR5000A18C300	300 mm



**VOLTAGE RATING:** 250 VAC/VDC  
**AMPERAGE RATING:** 4A  
**PROTECTION CLASS:** IP 67/68/69K  
**OPERATING TEMPERATURE:** -25°C / 90°C  
**UL CERTIFICATION:** FILE NO. E152210  
**CSA CERTIFICATIONS:** FILE NO. LR6837

ENTER DESCRIPTION EC NO: WEU2010-0369 DRWN: NSTAUIDIGEL 2010/02/17 CHKD: 2010/02/19 APPR: FPACHER 2010/02/24	QUALITY SYMBOLS ▽=0 ◻=0	GENERAL TOLERANCES (UNLESS SPECIFIED)		DIMENSION STYLE IN/MM	SCALE 2:1	DESIGN UNITS INCH	THIRD ANGLE PROJECTION		
			mm	INCH	DRAWN BY NSTAUIDIGEL	DATE 2010/02/17	TITLE M12 4/5P UL FEM REC FRONT MOUNT 1/2NPT		
		4 PLACES	±---	±---	CHECKED BY	DATE	APPROVED BY FPACHER		
		3 PLACES	±---	±---	DATE 2010/02/19		MATERIAL NO. / DOCUMENT NO. SD-120084-027		
		2 PLACES	±0.05	±---	MOLEX INCORPORATED			SHEET NO. 1 OF 1	
		1 PLACE	±0.1	±---	THIS DRAWING CONTAINS INFORMATION THAT IS PROPRIETARY TO MOLEX INCORPORATED AND SHOULD NOT BE USED WITHOUT WRITTEN PERMISSION				
DRAFT WHERE APPLICABLE MUST REMAIN WITHIN DIMENSIONS		ANGULAR ±---°							