

PLEASE CHECK WWW.MOLEX.COM FOR LATEST PART INFORMATION

Part Number: [0917914001](#)
Status: **Active**
Overview: [rast 5 connector system](#)
Description: 5.00mm (.197") Pitch Appli-Mate® RAST Power IDT Housing, 10 Amp, Indirect, Female, 6 Circuits, Fully Coded, Open End Walls, No Polarizing Rib, Glow Wire Compatible

Documents:

[3D Model](#) [Product Specification PS-91627-001 \(PDF\)](#)
[Drawing \(PDF\)](#) [RoHS Certificate of Compliance \(PDF\)](#)

General

Product Family IDT and Solder Connectors
 Series [91627](#)
 Crimp Quality Equipment Yes
 Overview [rast 5 connector system](#)
 Product Name RAST 5
 Use With RAST standard interface

Physical

Circuits (Loaded) 6
 Circuits (maximum) 6
 Color - Resin Natural (White)
 Durability (mating cycles max) 10
 Gender Female
 Glow-Wire Compliant Yes
 Lock to Mating Part Yes
 Material - Metal High Performance Alloy (HPA)
 Material - Plating Mating Tin
 Material - Plating Termination Silver
 Material - Resin Nylon
 Number of Rows 1
 Packaging Type Tray
 Panel Mount No
 Pitch - Mating Interface (in) 0.197 In
 Pitch - Mating Interface (mm) 5.00 mm
 Pitch - Term. Interface (in) 0.197 In
 Pitch - Term. Interface (mm) 5.00 mm
 Plating min: Mating (µin) 32
 Plating min: Mating (µm) 0.80
 Plating min: Termination (µin) 32
 Plating min: Termination (µm) 0.80
 Polarized to Mating Part No
 Stackable No
 Temperature Range - Operating -40°C to +120°C
 Termination Interface: Style IDT or Pierce
 Wire Size AWG 22, 24

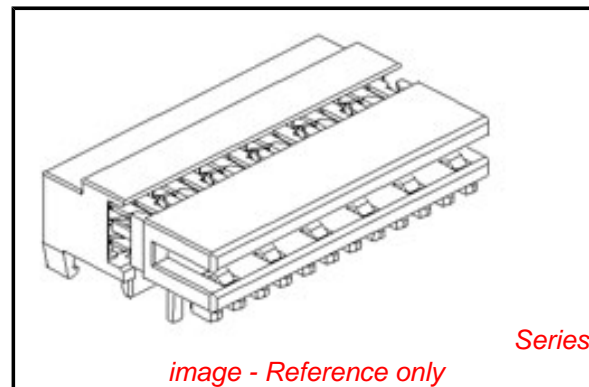
Electrical

Current - Maximum per Contact 10A
 Voltage - Maximum 250V AC

Material Info

Reference - Drawing Numbers

Application Specification AS-91627-001
 Packaging Specification PK-91627-001



EU RoHS

ELV and RoHS Compliant
REACH SVHC
 Not Reviewed
Halogen-Free Status
 Not Reviewed

China RoHS



Need more information on product environmental compliance?

Email productcompliance@molex.com
 For a multiple part number RoHS Certificate of Compliance, [click here](#)

Please visit the [Contact Us](#) section for any non-product compliance questions.

Search Parts in this Series

[91627Series](#)

Mates With

[90860 Appli-Mate® Vertical Header](#). [90861 Appli-Mate® Right Angle Header](#)

Application Tooling | FAQ

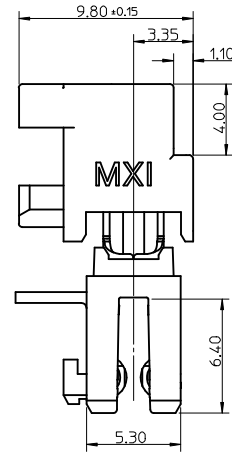
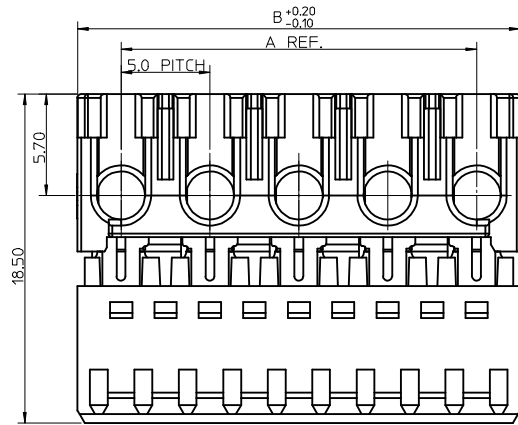
Tooling specifications and manuals are found by selecting the products below. Crimp Height Specifications are then contained in the Application Tooling Specification document.

Global

Description	Product #
Appli-Mate Rast 2.5 Power Manual Terminator	0622030000
RAST 2.5 Semi-Automatic Terminator Machine For Appli-Mate™ Connectors	0623006000

This document was generated on 05/28/2010

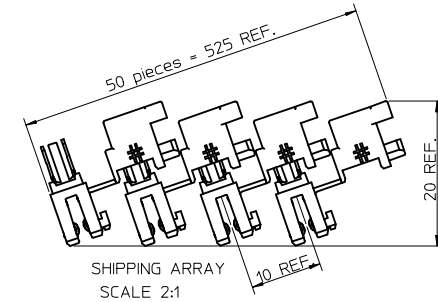
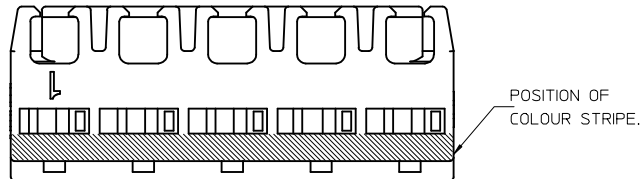
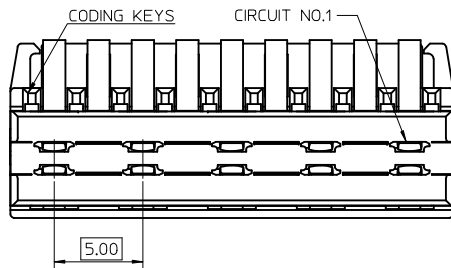
PLEASE CHECK WWW.MOLEX.COM FOR LATEST PART INFORMATION



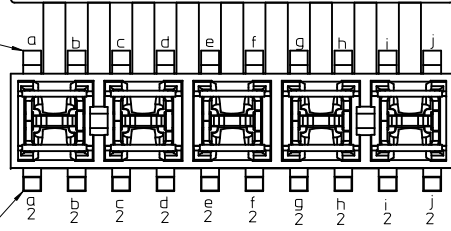
CKT	DIM A	DIM B
2	5	9.9
3	10	14.9
4	15	19.9
5	20	24.9
6	25	29.9
7	30	34.9
8	35	39.9
9	40	44.9
10	45	49.9
11	50	54.9
12	55	59.9

NOTES:

- MATERIAL: HOUSING: PA 6
TERMINAL: COPPER ALLOY
PLATING: SILVER (10A)
- PRODUCT SPECIFICATION: PS-91627-001
- SEE SUBSEQUENT SHEETS FOR PART NUMBERING INFORMATION
- THIS CONNECTOR MATES WITH HEADER ONLY. SEE PRODUCT SPECIFICATION PS-91627-001 FOR APPROVED HEADERS
- CABLE:
 - RECOMMENDED CABLE CROSS SECTIONAL AREA = 0.50mm.sq TO 0.75mm.sq
 - MAX CABLE INSULATION DIAMETER = 2.5mm
- PACKAGING SPECIFICATION: PK-91627-001
- APPLICATION SPECIFICATION: AS-91627-001



STANDARD ROW CODING KEYS



OPTIONAL 2nd ROW CODING KEYS

POSITION OF COLOUR STRIPE.

REVIEWED EC NO: E2010-0095 DRAWN: TIOURISH 2009/09/04 CHKD: BRUTLE 2009/09/04 APPR: BMAGUIRE 2009/09/07 DESCRIPTION REV	QUALITY SYMBOLS	GENERAL TOLERANCES (UNLESS SPECIFIED)	DIMENSION STYLE	SCALE	DESIGN UNITS	THIRD ANGLE PROJECTION														
	$\nabla=0$ $\nabla=0$	<table border="1"> <thead> <tr> <th></th> <th>mm</th> <th>INCH</th> </tr> </thead> <tbody> <tr> <td>4 PLACES</td> <td>± ---</td> <td>± ---</td> </tr> <tr> <td>3 PLACES</td> <td>± 0.10</td> <td>± ---</td> </tr> <tr> <td>2 PLACES</td> <td>± 0.10</td> <td>± ---</td> </tr> <tr> <td>1 PLACE</td> <td>± 0.2</td> <td>± ---</td> </tr> </tbody> </table>		mm	INCH	4 PLACES	± ---	± ---	3 PLACES	± 0.10	± ---	2 PLACES	± 0.10	± ---	1 PLACE	± 0.2	± ---	MM ONLY	5:1	METRIC
	mm	INCH																		
4 PLACES	± ---	± ---																		
3 PLACES	± 0.10	± ---																		
2 PLACES	± 0.10	± ---																		
1 PLACE	± 0.2	± ---																		
			DRAWN BY: LK IERNAN DATE: 07/05/2003 CHECKED BY: BMAGUIRE DATE: 25/07/2003 APPROVED BY: BMAGUIRE DATE: 25/07/03 MATERIAL NO.	TITLE	10A RAST PWR IDT CONN 5MM PTCH															
		DRAFT WHERE APPLICABLE MUST REMAIN WITHIN DIMENSIONS	SEE CHARTS SIZE A2		MOLEX INCORPORATED DOCUMENT NO. SD-91791-001 SHEET NO. 1 OF 2															
THIS DRAWING CONTAINS INFORMATION THAT IS PROPRIETARY TO MOLEX INCORPORATED AND SHOULD NOT BE USED WITHOUT WRITTEN PERMISSION																				

2 CIRCUIT

MOLEX PART NO.	TERMINAL VOID POSITION	REMOVED CODING KEYS	CONFIGURATION	COLOUR STRIPE
91791-0001	NONE	NONE		NONE

3 CIRCUIT

MOLEX PART NO.	TERMINAL VOID POSITION	REMOVED CODING KEYS	CONFIGURATION	LATCH BETWEEN	POLARIZING RIB BETWEEN	COLOUR STRIPE
91791-1001	NONE	NONE		NONE	NONE	NONE
91791-1002	NONE	a b c		NONE	CCT 1&2	RED
91791-1004	NONE	NONE		NONE	CCT 1&2	RED
91791-1504	NONE	a b c		CCT 1&2	CCT 2&3	RED
91791-1003	NONE	b c d e f b2 c2 d2 e2		NONE	NONE	NONE

4 CIRCUIT

MOLEX PART NO.	TERMINAL VOID POSITION	REMOVED CODING KEYS	CONFIGURATION	LATCH BETWEEN	POLARIZING RIB BETWEEN	COLOUR STRIPE
91791-2001	NONE	NONE		NONE	NONE	NONE
91791-2004	NONE	b d e f g h		NONE	CCT 2&3	RED

5 CIRCUIT

MOLEX PART NO.	TERMINAL VOID POSITION	REMOVED CODING KEYS	CONFIGURATION	COLOUR STRIPE
91791-3001	NONE	NONE		NONE

6 CIRCUIT

MOLEX PART NO.	TERMINAL VOID POSITION	REMOVED CODING KEYS	CONFIGURATION	COLOUR STRIPE
91791-4001	NONE	NONE		NONE
91791-4002	NONE	a b c d e f i j k l + b2 c2 d2 e2 f2 g2 h2 i2 j2 k2		NONE

7 CIRCUIT

MOLEX PART NO.	TERMINAL VOID POSITION	REMOVED CODING KEYS	CONFIGURATION	COLOUR STRIPE
91791-5001	NONE	NONE		NONE

8 CIRCUIT

MOLEX PART NO.	TERMINAL VOID POSITION	REMOVED CODING KEYS	CONFIGURATION	COLOUR STRIPE
91791-6001	NONE	NONE		NONE

9 CIRCUIT

MOLEX PART NO.	TERMINAL VOID POSITION	REMOVED CODING KEYS	CONFIGURATION	COLOUR STRIPE
91791-7001	NONE	NONE		NONE

10 CIRCUIT

MOLEX PART NO.	TERMINAL VOID POSITION	REMOVED CODING KEYS	CONFIGURATION	COLOUR STRIPE
91791-8001	NONE	NONE		NONE

11 CIRCUIT

MOLEX PART NO.	TERMINAL VOID POSITION	REMOVED CODING KEYS	CONFIGURATION	COLOUR STRIPE
91791-9001	NONE	NONE		NONE

12 CIRCUIT

MOLEX PART NO.	TERMINAL VOID POSITION	REMOVED CODING KEYS	CONFIGURATION	COLOUR STRIPE
91791-9501	NONE	NONE		NONE

NOTES:
 1. FIRST CKT SIDE IS THE SIDE CLOSEST TO CKT 1
 2. LAST CKT SIDE IS THE SIDE CLOSEST TO THE HIGHEST CKT SIZE
 ● - DENOTES TERMINAL POSITION LOADED
 + - DENOTES TERMINAL POSITION VOIDED
 | - DENOTES POSITION OF POLARISING RIB
 ▭ - DENOTES POSITION OF LOCKING LATCH

SEE SHEET 1 ELEC NO: E2010-0095 DRAWN: TOUR SH CHKD: BRUTLE APPR: BMAGUIRE 2009/09/04 2009/09/07	QUALITY SYMBOLS 	GENERAL TOLERANCES (UNLESS SPECIFIED) mm INCH 4 PLACES ± --- ± --- 3 PLACES ± 0.10 ± --- 2 PLACES ± 0.10 ± --- 1 PLACE ± 0.2 ± --- ANGULAR ± 2 °		DIMENSION STYLE MM ONLY	SCALE 1:1	DESIGN UNITS METRIC	THIRD ANGLE PROJECTION	
		DRAWN BY DATE LKIERNAN 07/05/2003		CHECKED BY DATE BMAGUIRE 25/07/2003		APPROVED BY DATE BMAGUIRE 25/07/03		TITLE 10A RAST PWR IDT CONN 5MM PTCH
		DRAFT WHERE APPLICABLE MUST REMAIN WITHIN DIMENSIONS		SEE CHARTS		MATERIAL NO. SD-91791-001		
		SHEET NO. 2 OF 2		DOCUMENT NO.		MOLEX INCORPORATED		THIS DRAWING CONTAINS INFORMATION THAT IS PROPRIETARY TO MOLEX INCORPORATED AND SHOULD NOT BE USED WITHOUT WRITTEN PERMISSION