

PLEASE CHECK WWW.MOLEX.COM FOR LATEST PART INFORMATION

Part Number: **0586961010**
Status: **Active**
Description: HMC™ Rectangular Industrial Hood, Multi-Module Type, Right-Angle, External Thread, 36 Circuits

Documents:

[3D Model](#) [Product Specification PS-58691-004 \(PDF\)](#)
[Drawing \(PDF\)](#) [RoHS Certificate of Compliance \(PDF\)](#)

General

| | |
|----------------|----------------|
| Product Family | I/O Connectors |
| Series | 58696 |
| Application | Panel-Mount |
| Component Type | Hood |
| Product Name | HMC™ |
| Type | N/A |

Physical

| | |
|--------------------------------|---------------------------|
| Boot Color | N/A |
| Circuits (Loaded) | N/A |
| Circuits (maximum) | 36 |
| Durability (mating cycles max) | 50 |
| Gender | Plug |
| Lock to Mating Part | Yes |
| Material - Metal | Aluminum, Stainless Steel |
| Material - Plating Mating | n/a |
| Orientation | Right Angle |
| Packaging Type | Bag |
| Panel Mount | N/A |
| Pitch - Mating Interface (in) | 0.000 In |
| Pitch - Mating Interface (mm) | 0.00 mm |
| Polarized to Mating Part | Yes |
| Polarized to PCB | N/A |
| Surface Mount Compatible (SMC) | N/A |
| Temperature Range - Operating | -55°C to +125°C |
| Termination Interface: Style | N/A |
| Waterproof / Dustproof | Yes |
| Waterproof / Dustproof Type | IP65 |

Electrical

| | |
|-------------------------------|---------|
| Current - Maximum per Contact | 4.5A |
| Shielded | No |
| Voltage - Maximum | 300V DC |

Material Info

Reference - Drawing Numbers

| | |
|-----------------------|--|
| Product Specification | PS-58691-004, RPS-58691-003, RPS-58691-004 |
| Sales Drawing | SD-58696-006 |



Series

image - Reference only

EU RoHS

RoHS Compliant by Exemption

REACH SVHC

Not Reviewed

Halogen-Free

Status

Not Reviewed

China RoHS



Pb

Need more information on product environmental compliance?

Email productcompliance@molex.com
 For a multiple part number RoHS Certificate of Compliance, [click here](#)

Please visit the [Contact Us](#) section for any non-product compliance questions.

Search Parts in this Series

58696Series

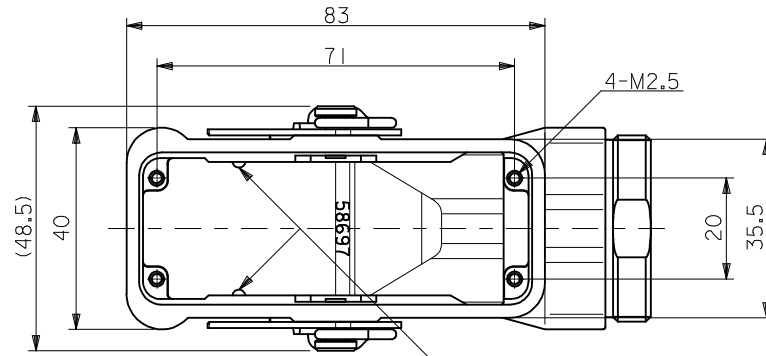
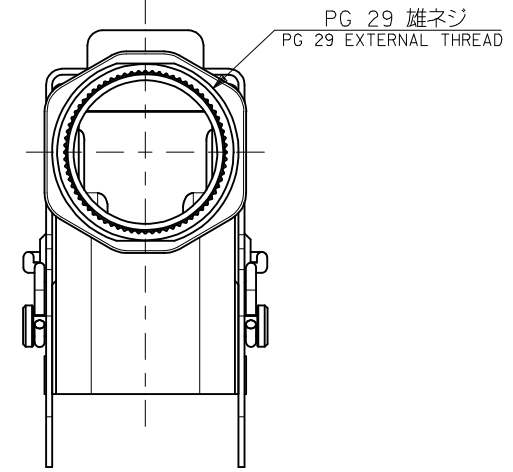
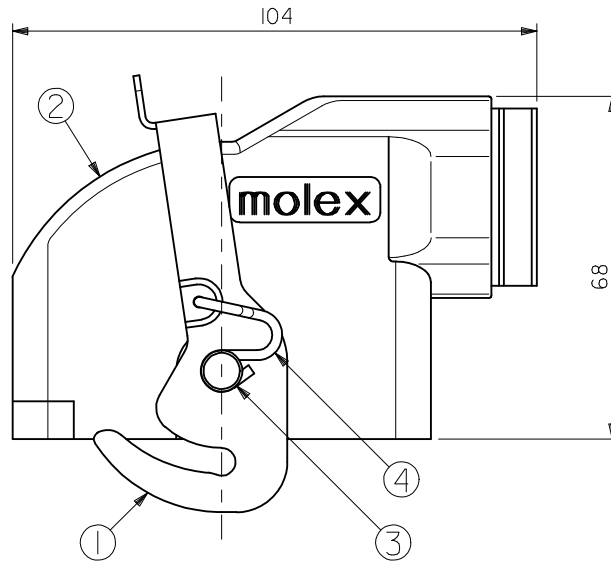
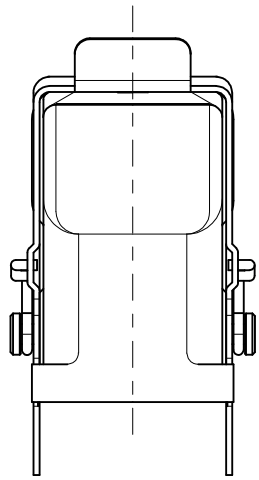
Mates With

58691-00X0 panel-mount bracket

Use With

58550 end bell cap assembly, 58687 hood bracket

10 9 8 7 6 5 4 3 2 1



シエル挿入方向キー
POLARIZATIONS KEY FOR SHELL

注記:
NOTES.

1. 適用プラグシエルアッセンブリ
APPLICABLE PLUG SHELL ASS'Y
1.) TYPE A : 58687-0010
2.) TYPE B : 58687-0020
2. 適用エンドベルキャップセット
APPLICABLE END BELL CAP SET
58550-****

| 部番 No. | 部品名 PART NAME | 数量 QTY. | 材質 MATERIAL | 記事 ARTICLE |
|--------|-----------------------|---------|--------------------------|---------------|
| ① | レバー LEVER | 1 | 鋼 STEEL | 塗装処理 PAINTING |
| ② | プラグカバー PLUG COVER | 1 | アルミニウム合金 ALUMINIUM ALLOY | — |
| ③ | ロックピン LOCKING PIN | 2 | ステンレス STAINLESS STEEL | — |
| ④ | レバースプリング LEVER SPRING | 2 | ステンレス STAINLESS STEEL | — |

| | |
|------------------|------------|
| 58696-1010 | 58696-**** |
| オーダー番号 ORDER No. | MODEL No. |

| | | | | | | |
|---|--|-------|----------------------------|-------------------|---|------------------------|
| REVISED EC NO: J2009-0816 DRWN: YMAEDA 2008/11/05 CHKD: NUKITA 2008/12/19 APPR: NUKITA 2008/12/19 | GENERAL TOLERANCES (UNLESS SPECIFIED) | | DIMENSION STYLE MM ONLY | SCALE 1:1 | DESIGN UNITS METRIC | THIRD ANGLE PROJECTION |
| | 10 UNDER | ±0.2 | DRAWN BY S. AKIYAMA | DATE '02/05/13 | TITLE POWER CONN. 36P RIGHT-ANGLE PLUG COVER ASS'Y | |
| | 10 OVER 30 UNDER | ±0.25 | CHECKED BY J. MIYAZAWA | DATE '02/05/14 | MOLEX INCORPORATED | |
| | 30 OVER | ±0.3 | APPROVED BY Y0. ITO | DATE '02/05/14 | DOCUMENT NO. SD-58696-006 | SHEET NO. 1 OF 2 |
| ANGULAR ±3 ° | DRAFT WHERE APPLICABLE MUST REMAIN WITHIN DIMENSIONS | | MATERIAL NO. SEE CHART | | THIS DRAWING CONTAINS INFORMATION THAT IS PROPRIETARY TO MOLEX INCORPORATED AND SHOULD NOT BE USED WITHOUT WRITTEN PERMISSION | |

注記:
NOTES:

関連図面
RELATION DRAWING

<適用ハウジング及び適用端子>
<APPLICABLE HOUSING AND TERMINAL>

| | 適用ハウジング APPLICABLE HOUSING | 適用端子 APPLICABLE TERMINAL |
|------------------------------------|-------------------------------|-----------------------------|
| ピン ハウジング PIN HOUSING | SD-51192-002 | SD-5558-001 SD-5558-002 |
| ソケット ハウジング SOCKET HOUSING | SD-51193-002 | SD-5556-004 |
| プラグ ハウジング PLUG HOUSING | SD-503193-001 | SD-503195-001 |
| リセプタクル ハウジング RECEPTACLE HOUSING | SD-503194-001 | SD-503196-001 |

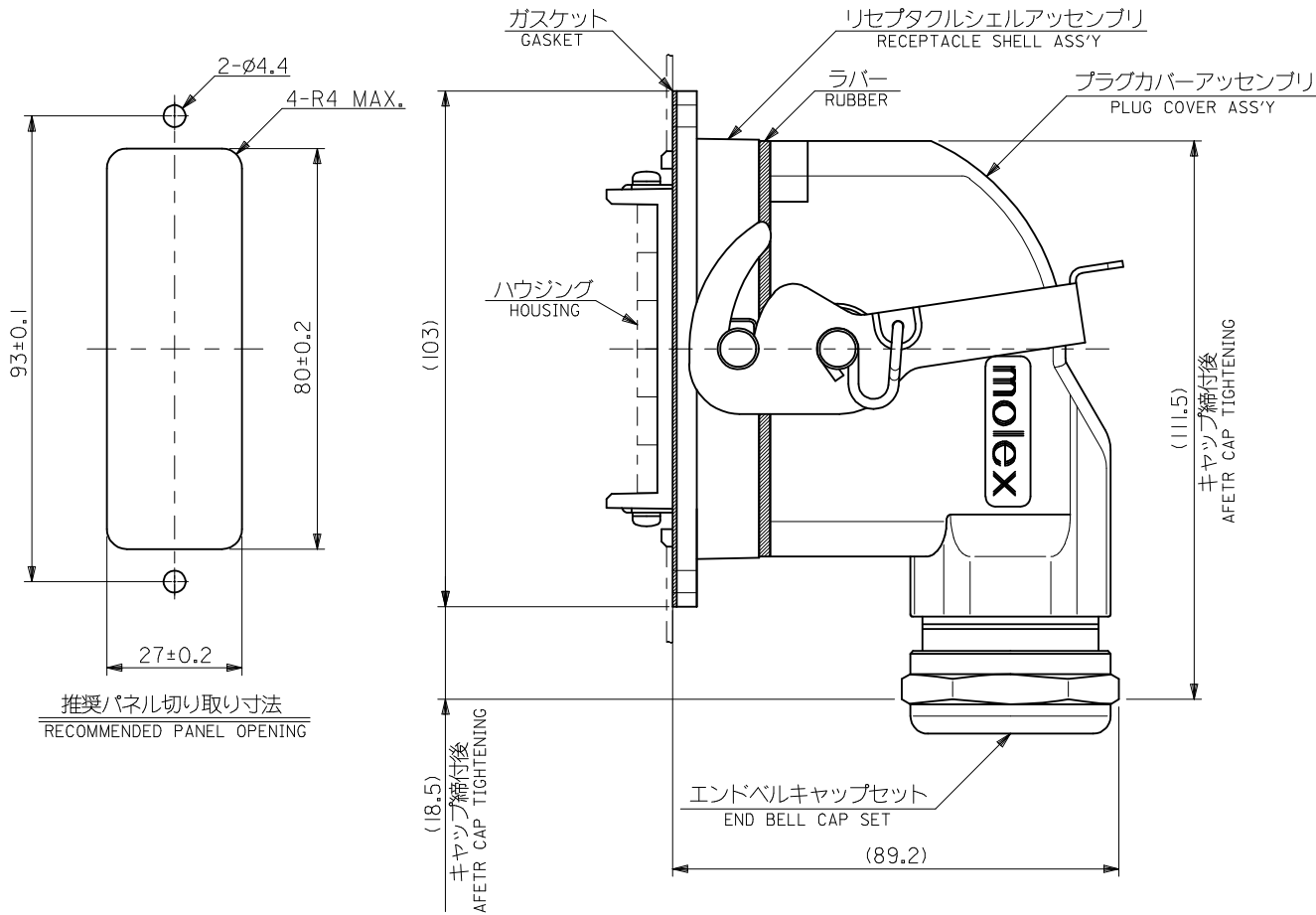
<共通部品>
<COMMON PARTS>

| | |
|---|---------------|
| リセプタクルシェル アッセンブリ RECEPTACLE SHELL ASSEMBLY | SD-58691-002 |
| プラグシェル アッセンブリ PLUG SHELL ASSEMBLY | SD-58687-002 |
| カバー アッセンブリ COVER ASSEMBLY | SD-58696-006 |
| カバー (中継用) COVER (FOR CONJUNCTION) | SD-56386-002 |
| エンドベルキャップセット END BELL CAP SET | SD-58550-**** |
| リセプタクル側ダストカバー DUST COVER FOR RECEPTACLE | SD-51201-002 |

関連規格
RELATION NORMATIVE

VDE0110 250V 汚染度Ⅲ
過電圧カテゴリーⅡに適合
APPLICABLE 250V POLLUTION DEGREE
AND OVER VOLTAGE CATEGORY

保護等級 IP65
DEGREE OF PROTECTION



| REVISED | | GENERAL TOLERANCES (UNLESS SPECIFIED) | | DIMENSION STYLE | | SCALE | DESIGN UNITS | THIRD ANGLE PROJECTION | |
|-------------|------------|---------------------------------------|------------------------|-------------------------------|------------------------|-------|--------------|---|--|
| EC NO. | DATE | DESCRIPTION | 10 UNDER | ±0.2 | MM ONLY | --- | METRIC | ⊙ □ | |
| J2009-0816 | 2008/11/05 | | 10 OVER 30 UNDER | ±0.25 | DRAWN BY S. AKIYAMA | | | POWER CONN. 36P | |
| DRWN:YMAEDA | 2008/12/19 | | 30 OVER | ±0.3 | DATE '02/5/13 | | | RIGHT-ANGLE | |
| CHKD:NUKITA | 2008/12/19 | | ANGULAR | ±3 ° | CHECKED BY J. MIYAZAWA | | | PLUG COVER ASS'Y | |
| APPR:NUKITA | 2008/12/19 | | DRAFT WHERE APPLICABLE | MUST REMAIN WITHIN DIMENSIONS | DATE '02/05/14 | | | MOLEX INCORPORATED | |
| | | | | | APPROVED BY Y.O. ITO | | | MATERIAL NO. SEE CHART | |
| | | | | | DATE '02/05/14 | | | DOCUMENT NO. SD-58696-006 | |
| | | | | | | | | SHEET NO. 2 OF 2 | |
| | | | | | | | | THIS DRAWING CONTAINS INFORMATION THAT IS PROPRIETARY TO MOLEX INCORPORATED AND SHOULD NOT BE USED WITHOUT WRITTEN PERMISSION | |