

PLEASE CHECK WWW.MOLEX.COM FOR LATEST PART INFORMATION

Part Number: [0190430010](#)
Status: **Active**
Description: Three Way Connector, Dual Male, Single Female Quick Disconnect Adapter, .250 x .032 Tab Size, Non-Plated

Documents:

[Drawing \(PDF\)](#) [RoHS Certificate of Compliance \(PDF\)](#)

General

Product Family	Quick Disconnects
Series	19043
Crimp Quality Equipment	Yes
MolexKits	Yes
Product Name	Adapter
Type	Quick Disconnect

Physical

Barrel Type	N/A
Gender	Dual
Glow-Wire Compliant	No
Insulation	None
Lock to Mating Part	None
Orientation	Straight
Packaging Type	Bag
Tab Thickness	0.81mm (.032")
Tab Width	6.35mm (.250")
Termination Interface: Style	N/A
Wire Insulation Diameter	N/A
Wire Size AWG	N/A

Electrical

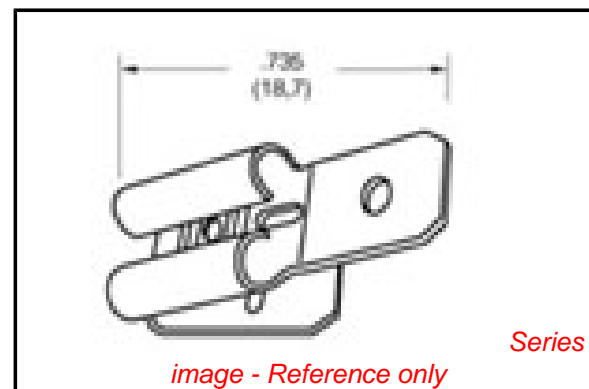
Voltage - Maximum	N/A
-------------------	-----

Material Info

Old Part Number	VWA-0
-----------------	-------

Reference - Drawing Numbers

Sales Drawing	SD-19043-003
---------------	--------------



EU RoHS

ELV and RoHS Compliant
REACH SVHC
Contains SVHC: No
Halogen-Free
Status
Not Reviewed

China RoHS



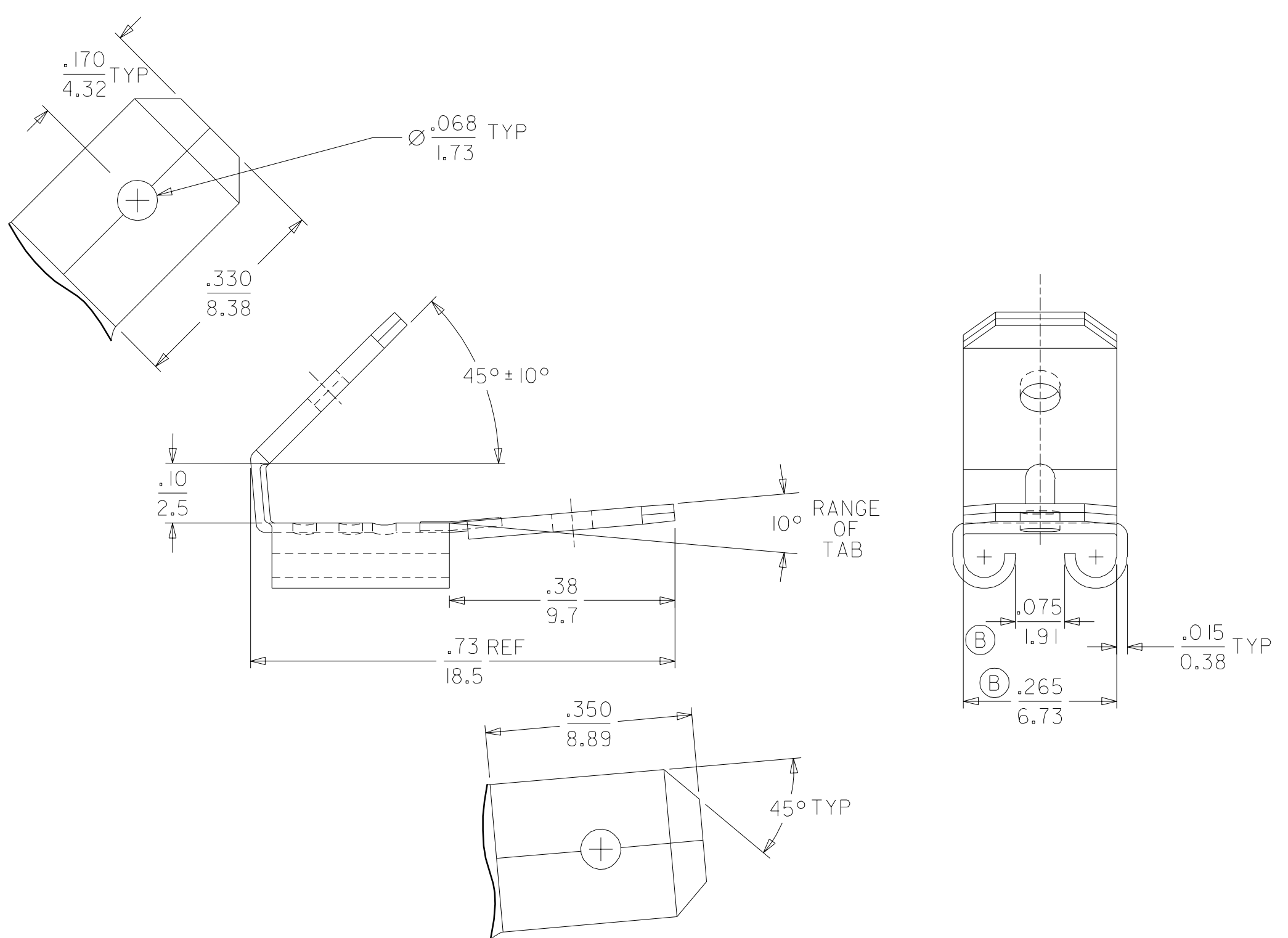
Need more information on product environmental compliance?

Email productcompliance@molex.com
 For a multiple part number RoHS Certificate of Compliance, [click here](#)

Please visit the [Contact Us](#) section for any non-product compliance questions.

Search Parts in this Series
[19043Series](#)

MATERIAL NUMBER	ENGINEERING NUMBER	PLATING
190430010	VWA-0	NONE
190430027	VWA-0-1	ELECTRO-TIN
190430028	VWA-0-HT	ELECTRO-NICKEL



SALES DRAWING

NOTE:
 1. MATERIAL: BRASS.
 2. PLATING SEE CHART.

WAS 06626C EC NO. ETC2002-0329 DRWN: BRE 02/05/15 CHK: HEB 02/05/15 APPR: RWD 02/05/15	QUALITY SYMBOLS MAJOR $\nabla=0$ CRITICAL $\nabla C=0$	GENERAL TOLERANCES: (UNLESS SPECIFIED)	SCALE 5:1 DESIGN UNITS <input type="checkbox"/> mm <input checked="" type="checkbox"/> INCH	THIRD ANGLE PROJECTION <input checked="" type="checkbox"/>	DIMENSIONS: <input type="checkbox"/> mm <input checked="" type="checkbox"/> INCH <input type="checkbox"/> mm ONLY	SHT REV															
	DESCRIPTION	<table border="1"> <thead> <tr> <th></th> <th>mm</th> <th>INCH</th> </tr> </thead> <tbody> <tr> <td>4 PLACES</td> <td>±0.</td> <td>±.</td> </tr> <tr> <td>3 PLACES</td> <td>±0.</td> <td>±.005</td> </tr> <tr> <td>2 PLACES</td> <td>±0.13</td> <td>±.01</td> </tr> <tr> <td>1 PLACE</td> <td>±0.25</td> <td>±.</td> </tr> </tbody> </table>		mm	INCH	4 PLACES	±0.	±.	3 PLACES	±0.	±.005	2 PLACES	±0.13	±.01	1 PLACE	±0.25	±.	DRAWN BY & DATE BRE 02/05/01	TITLE 3 WAY CONNECTOR 2 MALE TABS, 1 FEMALE .032 X .025 QK DISCONNECT		
		mm	INCH																		
	4 PLACES	±0.	±.																		
3 PLACES	±0.	±.005																			
2 PLACES	±0.13	±.01																			
1 PLACE	±0.25	±.																			
REV	ANGULAR: ±1/2° DRAFT WHERE APPLICABLE MUST REMAIN WITHIN DIMENSIONS	CHECKED BY & DATE HEB 02/05/01	MOLEX INCORPORATED																		
B	THIS DRAWING CONTAINS INFORMATION THAT IS PROPRIETARY TO MOLEX INCORPORATED AND SHOULD NOT BE USED WITHOUT WRITTEN PERMISSION.	APPROVED BY & DATE RWD 02/05/01	CAD FILENAME SD-19043-003 DGN	MATERIAL NO. SEE CHART	DRAWING NO. SD-19043-003	SHEET NO. 1 OF 1 SIZE B															