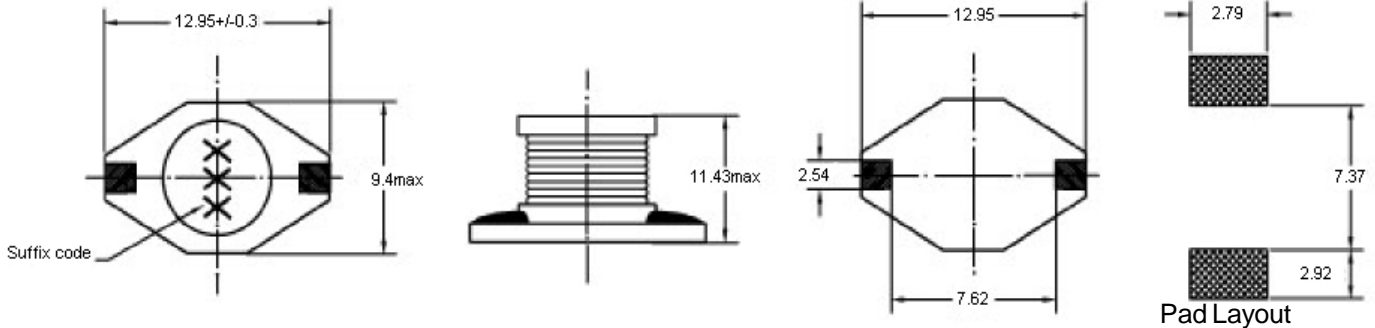


### AM3340 SERIES

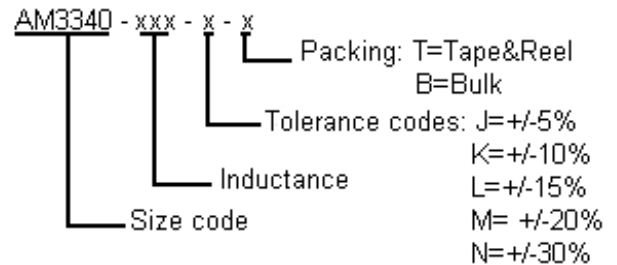
#### FEATURES

- Designed for low profile and high performance
- High energy storage and low resistance
- Ideal for DC-DC converter applications, such as pagers, notebook computers, PDA's, etc



Part No.	L (uhy)	DCR (mΩ)	I(sat)	Max Current
AM3340-1R0M	1.0	10	11.60	6.80
AM3340-1R5M	1.5	10	11.00	6.60
AM3340-2R2M	2.2	13	10.50	6.10
AM3340-3R3M	2.7	14	10.00	5.60
AM3340-100M	10.0	33	8.00	3.50
AM3340-150M	15.0	42	7.00	3.00
AM3340-220M	22.0	54	5.50	2.50
AM3340-330M	33.0	80	4.00	2.00
AM3340-470M	47.0	100	3.80	1.60
AM3340-680M	68.0	170	3.00	1.20
AM3340-101M	100.0	220	2.50	1.20
AM3340-151M	150.0	340	2.00	0.90
AM3340-221M	220.0	440	1.60	0.70
AM3340-331M	330.0	700	1.20	0.60
AM3340-471M	470.0	950	1.00	0.30
AM3340-681M	680.0	1200	1.00	0.20
AM3340-102M	1000.0	2000	0.80	0.10

#### Ordering Code



#### Notes:

- 1) Inductance measured at 100KHz. 0.1V
- 2) Isat: current at which inductance drops 10%
- 3) Temp rise at rated current: 40 deg C
- 4) Operating temp range: -40 to +85 deg C
- 5) Electrical specifications at 20 deg C

AlfaMag Electronics L L C

101 West 10th Street | Suite 7 | PO Box 668 | Rolla, Missouri | 65402

www.alfamag.com | sales@alfamag.com | Ph: (573)364-2422 | Fax: (573)364-5390