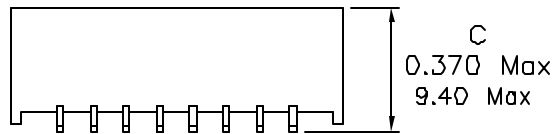
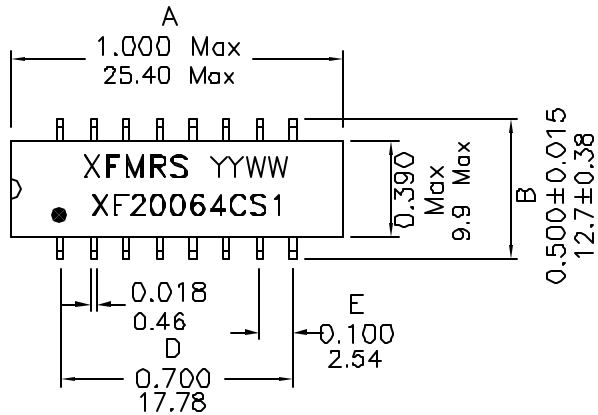
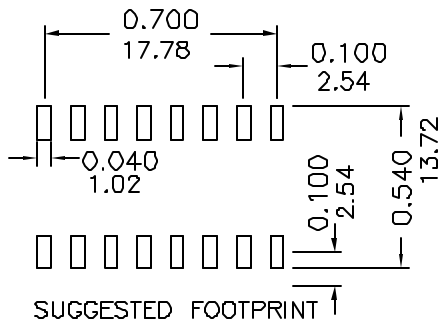


### 1. Dimensions:



CO-PLANARITY ± 0.004 Max  
0.10 Max

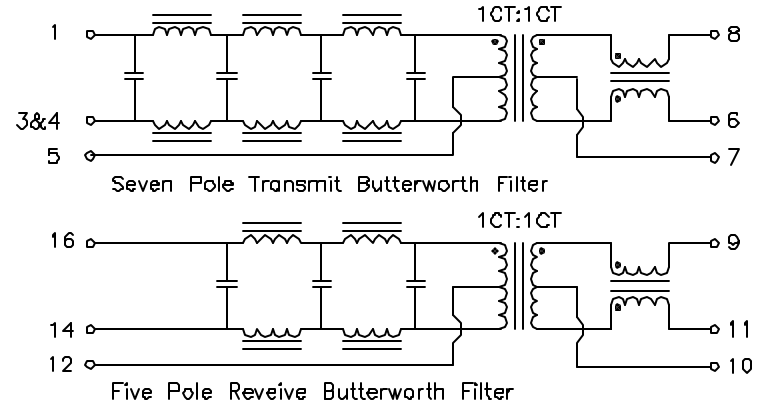


**Notes:**

1. Solderability: Leads shall meet MIL-STD-202G, Method 208H for solderability.
2. Flammability: UL94V-0
3. ASTM oxygen Index: > 28%
4. Insulation System: Class F 155°C. UL file E151556
5. Operating Temperature Range: All listed parameters are to be within tolerance from -40°C to +85°C
6. Storage Temperature Range: -55°C to +125°C
7. Aqueous wash compatible
8. SMD Lead Coplanarity: ±0.004" (0.102mm)
9. Electrical and mechanical specifications 100% tested
10. RoHS 5/6 Compliant, 63/37 leaded solder.
11. Recommended IR Reflow temp 225C Max.

DOC. REV: B/6

### 2. Schematic:



### 3. Electrical Specifications: @25°C

Isolation Voltage: 1500 Vrms (Input to Output)  
 Insertion Loss (1-10MHz): 1dB Maximum  
 Return Loss (1-10MHz): 15dB Minimum  
 Crosstalk (1-10MHz): 30dB Minimum  
 Attenuation @30MHz:  
     Transmit: 27dB Minimum  
     Receive: 18dB Minimum  
 Cut-Off Frequency: 17MHz Typical  
 I/O Impedance: 100 Ohms

|  |      |                         |           |
|--|------|-------------------------|-----------|
| <b>XFMRs Inc.</b>                      |      | Title: 10 BASE-T FILTER |           |
| UNLESS OTHERWISE SPECIFIED TOLERANCES: |      | P/N: XF20064CS1         | REV. B    |
| .xxx ±0.010 Inch                       | DWN. | Xian Yi                 | Feb-11-09 |
| Dimensions in Inch/mm                  | CHK. | YK Liao                 | Feb-11-09 |
| SHT 1 OF 1                             | APP. | Joe Huff                | Feb-11-09 |