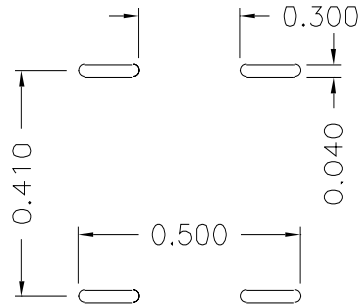
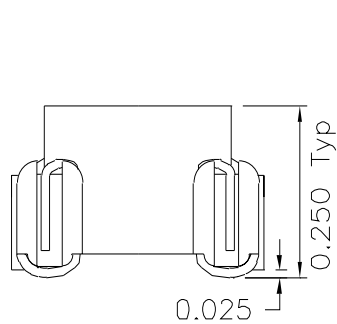
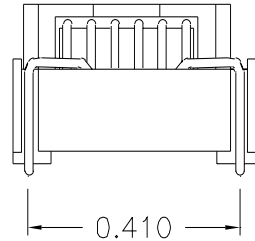
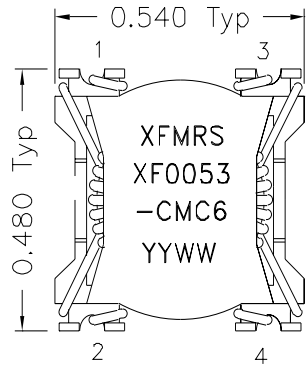
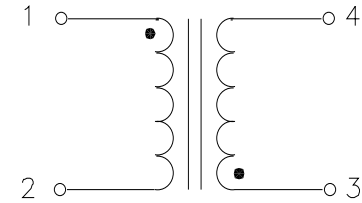


1. Mechanical Dimensions:



(SUGGESTED MOUNTING PAD)

2. Schematic:



3. Electrical Specification:

OCL: 4.7mH ±30% @10KHz 10mV

DCR: 1.0 Ohms Max (each)

CM Attenuation: 40dB Typ @ 100KHz

51dB Typ @ 1MHz

38dB Typ @ 10MHz

Isolation: 500Vac

Doc Rev: A/4

XFMRS Inc.	Title: SM Common Mode Choke	
	UNLESS OTHERWISE SPECIFIED TOLERANCES: .xxx ±0.010 INCH Dimensions in INCH	P/N: XF0053-CMC6 REV. A
	DWN.	廖玉坤 Dec-08-99
	CHK.	李清儿 Dec-09-99
	APP.	Joe Huff Dec-09-99