

GLASS PASSIVATED JUNCTION

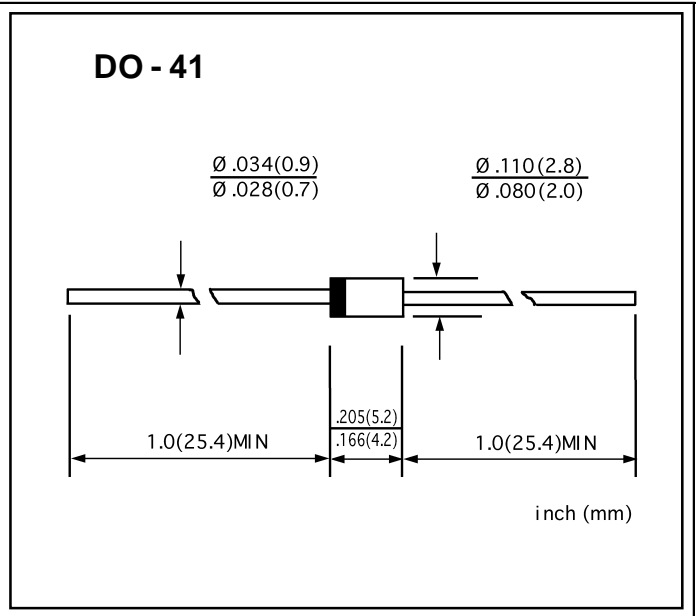
VOLTAGE RANGE: 50 --- 600 V
CURRENT: 1.0 A

FEATURES

- ◇ Low cost
- ◇ Glass passivated junction
- ◇ Low leakage
- ◇ Low forward voltage drop
- ◇ High current capability
- ◇ Easily cleaned with Freon,Alcohol,Isopropanop and similar solvents
- ◇ The plastic material carries U/L recognition 94V-0

MECHANICAL DATA

- ◇ Case:JEDEC DO-41,molded plastic
- ◇ Terminals: Axial lead ,solderable per MIL- STD-202,Method 208
- ◇ Polarity: Color band denotes cathode
- ◇ Weight: 0.34 grams
- ◇ Mounting position: Any



MAXIMUM RATINGS AND ELECTRICAL CHARACTERISTICS

Ratings at 25°C ambient temperature unless otherwise specified.

Single phase,half wave,60 Hz,resistive or inductive load. For capacitive load,derate by 20%.

		1N 4933G	1N 4934G	1N 4935G	1N 4936G	1N 4937G	UNITS
Maximum recurrent peak reverse voltage	V_{RRM}	50	100	200	400	600	V
Maximum RMS voltage	V_{RMS}	35	70	140	280	420	V
Maximum DC blocking voltage	V_{DC}	50	100	200	400	600	V
Maximum average forward rectified current 9.5mm lead length, @ $T_A=75^\circ C$	$I_{F(AV)}$	1.0					A
Peak forward surge current 8.3ms single half-sine-wave superimposed on rated load @ $T_J=125^\circ C$	I_{FSM}	30.0					A
Maximum instantaneous forward voltage @1.0 A	V_F	1.3					V
Maximum reverse current @ $T_A=25^\circ C$ at rated DC blocking voltage @ $T_A=100^\circ C$	I_R	5.0 100.0					μA
Maximum reverse capacitance (Note1)	t_{rr}	200					ns
Typical junction capacitance (Note2)	C_J	12.0					pF
Typical thermal resistance (Note3)	$R_{\theta JA}$	22.0					$^\circ C/W$
Operating junction temperature range	T_J	- 55---- +175					$^\circ C$
Storage temperature range	T_{STG}	- 55---- + 175					$^\circ C$

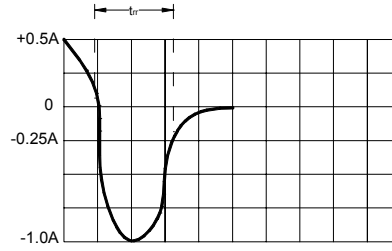
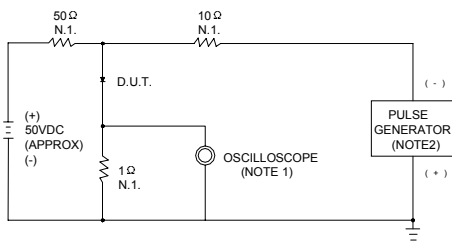
NOTE: 1. Measured with $I_F=0.5A$ $I_R=1A$ $I_{rr}=0.25A$.

2. Measured at 1.0MHz and applied reverse voltage of 4.0V DC.

3. Thermal resistance from junction to ambient.

www.galaxycn.com

FIG.1 – TEST CIRCUIT DIAGRAM AND REVERSE RECOVERY TIME CHARACTERISTIC



NOTES: 1. RISE TIME = 7ns MAX. INPUT IMPEDANCE = 1MΩ, 22PF
 2. RISE TIME = 10ns MAX. SOURCE IMPEDANCE = 50Ω

SET TIME BASE FOR 50/100 ns /cm

FIG.2 – FORWARD CURRENT DERATING CURVE

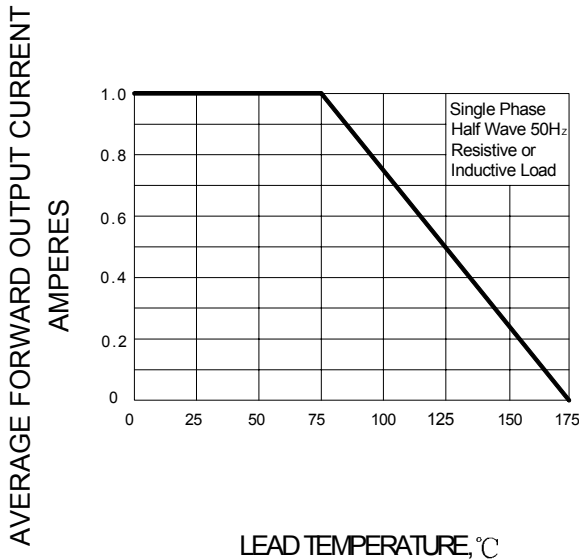


FIG.3 – PEAK FORWARD SURGE CURRENT

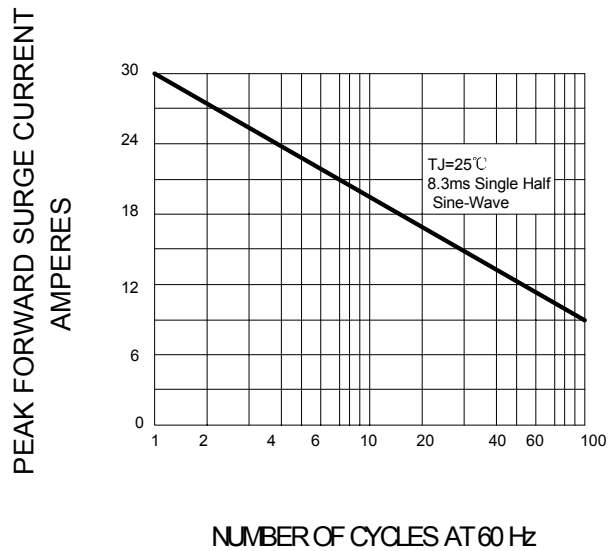


FIG.4 – TYPICAL FORWARD CHARACTERISTIC

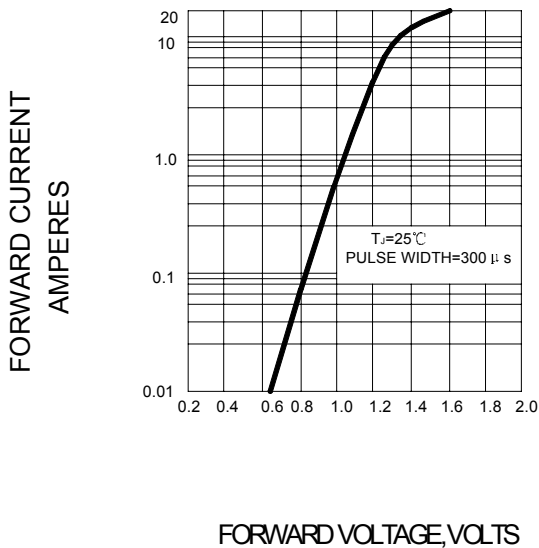


FIG.4 – TYPICAL JUNCTION CAPACITANCE

