



# 100W Universal Industrial Series PSS100 Single Output L-Bracket



## Features

- Compact Size
- High Power Density
- 1-inch Profile
- PFC
- EMI Class B

## Applications

- Network Hubs
- Telephony
- Low Profile Racks
- Gaming Machines

## Safety Approvals

- cUL 1950 Class I
- CE (Low Voltage Directive)
- Semko EN60950

## Mechanical Characteristics

- Dimensions:
- Length: 127mm (5.0in)
  - Width: 76.2mm (3.0in)
  - Height: 26mm (1.02in)
  - Weight: 139g (11.25oz)

## Output Specifications

Model	DC Output Voltage	Load				Ripple P-P	Regulation	
		Min.	Convection	Max.	Peak		Line	Load
PSS100-033	3.3V	0.8A	14.00A	20.0A	25.0A	1%	±0.1%	±1.0%
PSS100-050	5.0V	0.6A	12.60A	18.0A	25.0A	1%	±0.1%	±1.0%
PSS100-120	12.0V	0.0A	5.95A	8.50A	11.0A	1%	±0.1%	±1.0%
PSS100-150	15.0V	0.5A	4.76A	6.80A	8.50A	1%	±0.1%	±1.0%
PSS100-240	24.0V	0.3A	2.94A	4.20A	5.00A	1%	±0.1%	±1.0%

(1) All measurements are at normal input, full load, and +25° C.  
 (2) Max. is measured at 30cfm.

**INPUT:**

- AC Input Voltage**  
90 to 264 VAC
- AC Input Frequency**  
47 to 63Hz
- AC Input Current**  
1.0A @ 115VAC  
0.5A @ 230VAC
- EMI (Conducted)**  
EN 55022 Class B  
FCC Class B
- Leakage Current**  
<0.5mA @ 254VAC

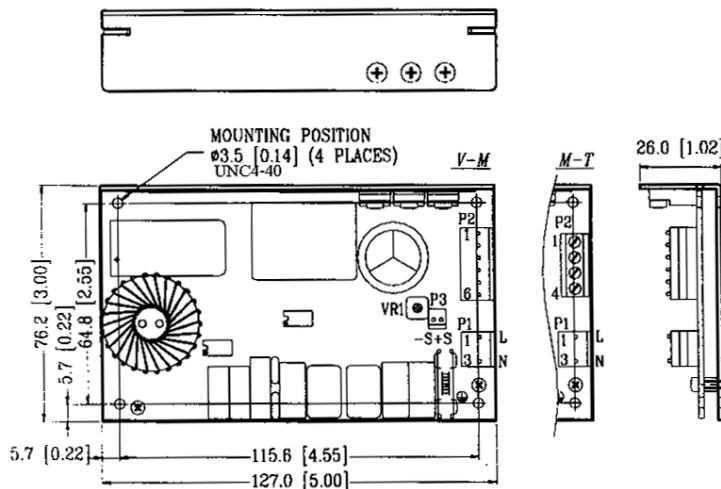
**OUTPUT:**

- Hold-up Time**  
16mS @ 115VAC  
64mS @ 230VAC
- Overload Protection**  
125% of Overage Foldback  
Type, Self-Recovering & Protect  
Against Short Circuit

**GENERAL:**

- Efficiency**  
75 to 84%
- Operation Temperature**  
0 to +50°C @ Full Load  
Derating Linearly 2.5%/°C from  
+50°C to +70°C
- Storage Temperature**  
-40°C to +85°C
- Transient Response**  
0.5mS Following 50% Load Change
- Humidity**  
95% Non-Condensing
- Dielectric Withstand**  
3000VAC - Output/Input  
1500VAC - Input/GND  
500VAC - Output/GND
- Output Mating Connector**  
Molex 09-50-8061
- Input Mating Connector**  
Molex 09-50-8031

**Dimension Diagram Unit: mm (inch)**



**INPUT & OUTPUT CONNECTORS PIN ASSIGNMENT**

ASSIGNMENT CONNECTOR & PIN #	AC INPUT			SINGLE OUTPUT		
	LINE	NEUTRAL	GROUND	VO1	DC-COM	Remote Sensing
P1-1	P1-3	P1-5	P2-1,2(≥12A) P2-1,2,3(<12A)	P2-3,4(≥12A) P2-4,5,6(<12A)	P3-1(+S) P3-2(-S)	

Mating connector: P1 & P2 Molex # 5195 or 5239 equivalent.  
P3 Molex # 5051 series or equivalent.