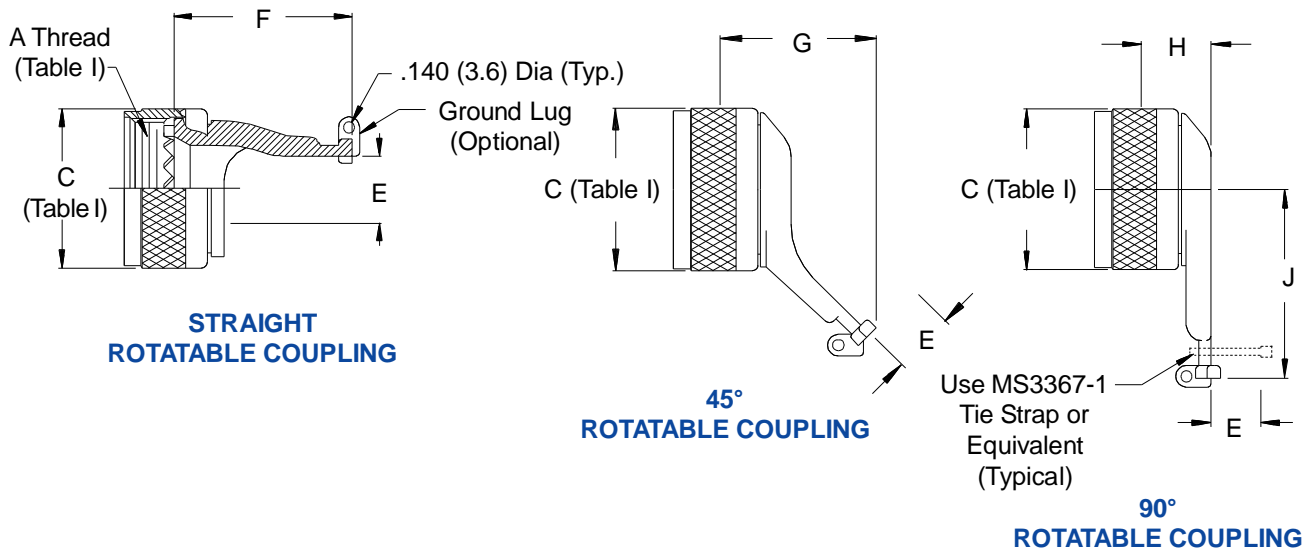


**CONNECTOR  
DESIGNATOR**
**L**

Product Series — 450 L S 001 M 16 G  
 Connector Designator — L  
 Angle and Profile — S  
 A = 90°  
 B = 45°  
 S = Straight  
 Ground Lug (Omit for none)  
 Shell Size (Table I)  
 Finish (Table II)  
 Basic Part Number



See inside back cover fold-out or pages 13 and 14 for Tables I and II.

**TABLE III: DIMENSIONS**

Shell Size	E Cable Entry	F Max	G Max	H Max	J Max
08	.269 (6.8)	.866 (22.0)	1.066 (27.1)	.464 (11.8)	.890 (22.6)
10	.397 (10.1)	.866 (22.0)	1.066 (27.1)	.496 (12.6)	.950 (24.1)
12	.511 (13.0)	.926 (23.5)	1.066 (27.1)	.535 (13.6)	1.070 (27.2)
14	.636 (16.2)	1.106 (28.1)	1.188 (30.2)	.574 (14.6)	1.330 (33.8)
16	.761 (19.3)	1.106 (28.1)	1.224 (31.1)	.590 (15.0)	1.390 (35.3)
18	.850 (21.6)	1.176 (29.9)	1.224 (31.1)	.685 (17.4)	1.480 (37.6)
20	.975 (24.8)	1.306 (33.2)	1.224 (31.1)	.685 (17.4)	1.660 (42.2)
22	1.100 (27.9)	1.426 (36.2)	1.224 (31.1)	.716 (18.2)	1.850 (47.0)
24	1.225 (31.1)	1.556 (39.5)	1.224 (31.1)	.755 (19.2)	1.910 (48.5)

1. Cable Entry is defined as the accommodation entry for the wire bundle or cable. Dimensions are not intended for inspection criteria.
2. Metric dimensions (mm) are indicated in parentheses.