

1. PART NO. EXPRESSION :

T B C 0 8 0 6 - 1 2 0 M - 2 6

(a) (b) (c) (d) (e)

(a) Series code

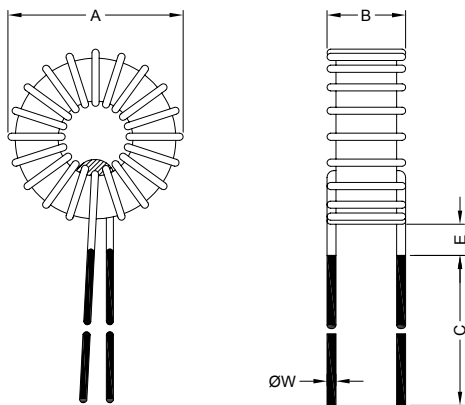
(b) Dimension code

(c) Inductance code : 120 = 12.5uH

(d) Tolerance code : M = ±20%

(e) Material code

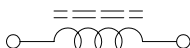
2. CONFIGURATION & DIMENSIONS :



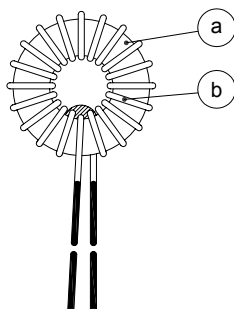
Unit:m/m

A	B	C	E	ØW
8.50 Max.	6.00 Max.	10.00±3.0	1.00 Max.	0.40 Ref.

3. SCHEMATIC :



4. MATERIALS :



(a) Core : Iron Powder Core

(b) Wire : Enamelled Copper Wire



RoHS Compliant

NOTE : Specifications subject to change without notice. Please check our website for latest information.

19.06.2008



SUPERWORLD ELECTRONICS (S) PTE LTD

5. GENERAL SPECIFICATION :

- a) Temp. rise : 40°C Max. at I_{rms}
- b) Storage temp. : -40°C to +125°C
- c) Operating temp. : -25°C to +105°C

6. ELECTRICAL CHARACTERISTICS :

Part No.	Inductance (uH) ±20%	DC Resistance (mΩ) Max.	I _{rms} (A)	I _{sat} (A)
TBC0806-120M-26	12.5	35	3.0	1.50
TBC0806-120M-52	12.5	35	3.0	1.80



RoHS Compliant

NOTE : Specifications subject to change without notice. Please check our website for latest information.

19.06.2008



SUPERWORLD ELECTRONICS (S) PTE LTD