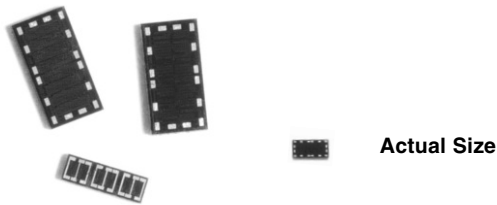
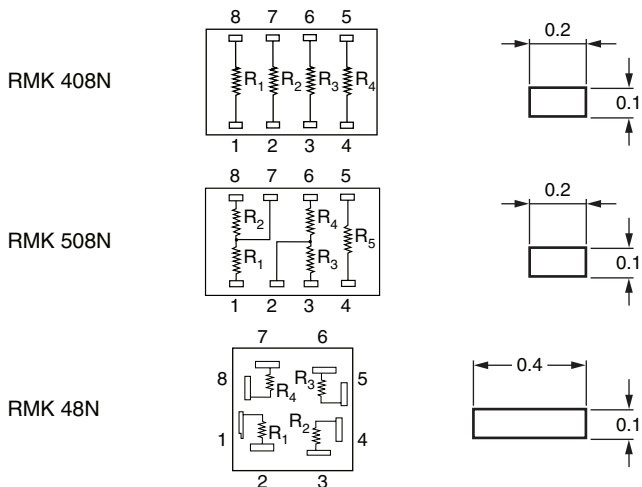


Bare Chip Resistor Network



Manufactured in ULTRAFILM technology, these resistor network chips have a high level of integration, wide ohmic value range, very low temperature coefficient 10 ppm/°C which are unequaled on the market today. Laser trimming can provide excellent precision down to 0.1 % abs 0.01 % ratio.

SCHEMATIC



FEATURES

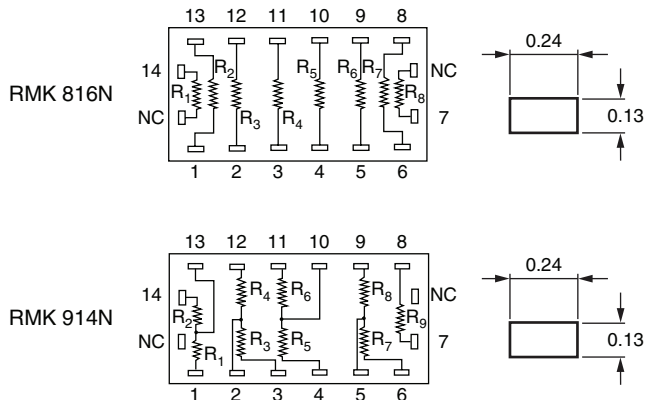
- High precision tolerances down to 0.01 % Ratio
- Very low temperature coefficient: 10 ppm/°C abs., 2 ppm/°C ratio
- Excellent stability < 300 ppm, 2000 h at Pn at + 70 °C
- Wirebondable



RoHS
COMPLIANT
GREEN
(5-2008)*

TYPICAL PERFORMANCE

	ABS	TRACKING
TCR	5 ppm/°C	1 ppm/°C
	ABS	RATIO
TOL.	0.1 %	0.01 %



STANDARD ELECTRICAL SPECIFICATIONS		
TEST	SPECIFICATIONS	CONDITION
SERIES	48N, 408N, 508N, 816N, 914N	
TCR:	Tracking	± 1 ppm/°C typical/± 2 ppm/°C maximum
	Absolute	± 10 ppm/°C maximum/± 5 ppm/°C maximum
Tolerance:	Ratio	± 0.05 %, ± 0.02 %, ± 0.01 %
	Absolute	± 1.0 %, ± 0.5 %, ± 0.25 %, ± 0.1 %
Power rating: (0 W at + 155 °C)	48N = 125 mW, others: 250 mW	at + 70 °C
	48N = 50 mW, others: 125 mW	at + 125 °C
Stability	< 300 ppm	2000 h at + 70 °C under Pn
Voltage coefficient	< 0.1 ppm/V	
Working voltage	100 V	
Operating temperature range	- 55 °C to + 155 °C ⁽¹⁾	
Storage temperature range	+ 70 °C	
Noise	< - 35 dB	
Thermal EMF	0.01 µV/°C	
Shelf life stability	50 ppm	1 year at + 25 °C

Note:

⁽¹⁾ For 200 °C operations please consult factory

* Please see document "Vishay Green and Halogen-Free Definitions (5-2008)" <http://www.vishay.com/doc?99902>

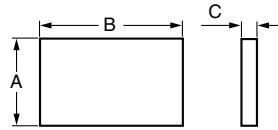


RMK 408N, 508N, 48N, 816N, 914N (CN)

Bare Chip Resistor Network

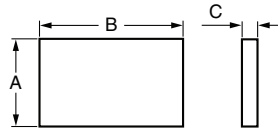
Vishay Sfernice

RMK 408N



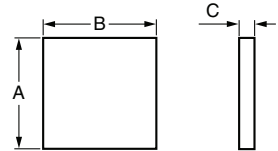
DIMENSIONS in millimeters	
A	1.6 ± 0.1
B	2.6 ± 0.1
C	0.4 maximum

RMK 508N



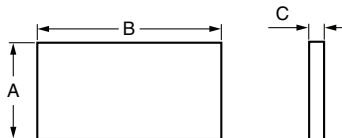
DIMENSIONS in millimeters	
A	1.6 ± 0.1
B	2.6 ± 0.1
C	0.4 maximum

RMK 48N



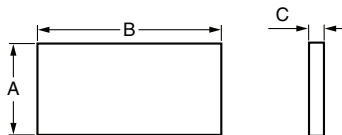
DIMENSIONS in millimeters	
A	2.1 ± 0.1
B	2.1 ± 0.1
C	0.4 maximum

RMK 816N



DIMENSIONS in millimeters	
A	1.8 ± 0.1
B	3.5 ± 0.1
C	0.4 maximum

RMK 914N



DIMENSIONS in millimeters	
A	1.8 ± 0.1
B	3.5 ± 0.1
C	0.4 maximum

MECHANICAL SPECIFICATIONS

Resistive element	Nichrome
Substrate material	Silicon
Bonding pads	Alumina
Passivation	Silicon Nitride

GLOBAL PART NUMBER INFORMATION

New Global Part Numbering: RMK408N10KBW (preferred part number format)

R **M** **K** **4** **0** **8** **N** **1** **0** **K** **B** **W** **0** **0** **0** **2**

GLOBAL MODEL	VALUE	ABS. TOLERANCE	RATIO TOLERANCE	OPTION
RMK408N RMK508N RMK816N RMK714N RMK914N RMK48N	Decimal: R or K	B = 0.1 % C = 0.25 % D = 0.5 %	W = 0.05 % P = 0.02 % L = 0.01 %	leave blank if no option

For custom specification:

CN	1077
GLOBAL MODEL	REFERENCE

Historical Part Number example: RMK 408 N 10K 0.1 % abs 0.05 % ratio R0002 (will continue to be accepted)

RMK 408 N	10K	0.1 % abs 0.05 % ratio	R0002
HISTORICAL MODEL	VALUE	ABS. AND RATIO TOLERANCE	OPTION



Disclaimer

All product specifications and data are subject to change without notice.

Vishay Intertechnology, Inc., its affiliates, agents, and employees, and all persons acting on its or their behalf (collectively, "Vishay"), disclaim any and all liability for any errors, inaccuracies or incompleteness contained herein or in any other disclosure relating to any product.

Vishay disclaims any and all liability arising out of the use or application of any product described herein or of any information provided herein to the maximum extent permitted by law. The product specifications do not expand or otherwise modify Vishay's terms and conditions of purchase, including but not limited to the warranty expressed therein, which apply to these products.

No license, express or implied, by estoppel or otherwise, to any intellectual property rights is granted by this document or by any conduct of Vishay.

The products shown herein are not designed for use in medical, life-saving, or life-sustaining applications unless otherwise expressly indicated. Customers using or selling Vishay products not expressly indicated for use in such applications do so entirely at their own risk and agree to fully indemnify Vishay for any damages arising or resulting from such use or sale. Please contact authorized Vishay personnel to obtain written terms and conditions regarding products designed for such applications.

Product names and markings noted herein may be trademarks of their respective owners.