



## PO005-12D-1B-3 PO005-24D-1B-3

### Features

- Size: 40 x 40 x 20 mm  
(1.6" x 1.6" x 0.8")
- Airflow: 5 CFM
- Lead Wire: AWG24 (UL1007)
- Impeller/Frame: Reinforced Plastic (UL94V-0)
- Bearings: Sealed Ball



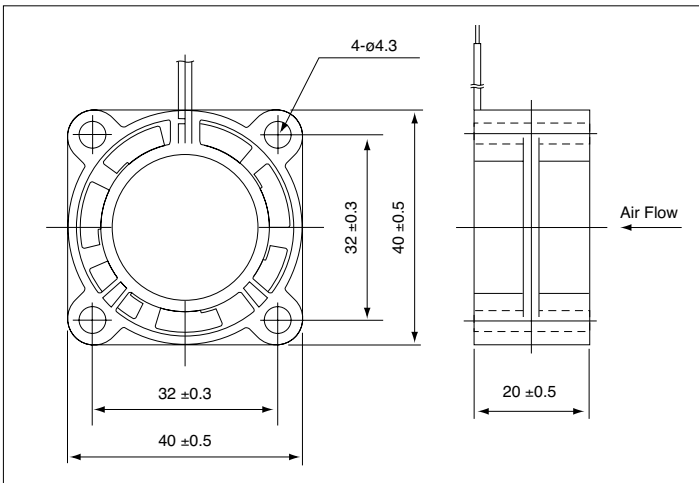
UL E101153



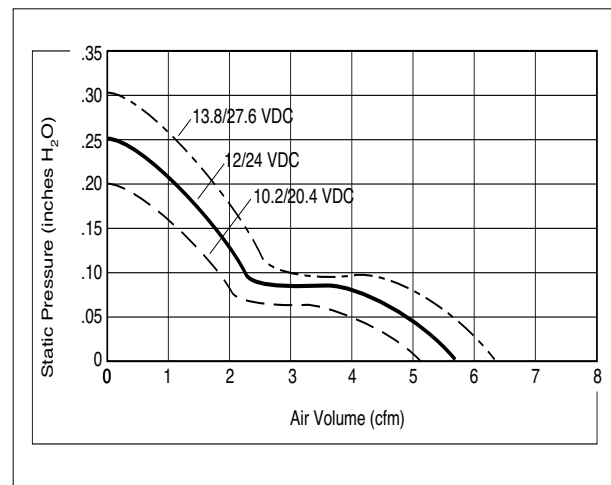
CSA LR83514

• RoHS Compliant

### Dimensions – inches mm



### Air Flow vs Air Pressure



### Performance

Type	Rated Voltage (V)	Rated Current (A)		Max Air Flow (CFM)	Max Air Pressure (In H <sub>2</sub> O)	Noise* (dBA)	Operating Voltage (V)	Operating Temperature (°C)	Life Expectancy (Hr) (@ 25°)
		Locked	Moved						
PO005-12D-1B-3	12	.20	.15	5.0	.25	35	10.2~13.8	-10~ +60	50,000
PO005-24D-1B-3	24	.12	.10	5.0	.25	35	20.4~27.6	-10~ +60	50,000

\*Measured 1 m from intake

Product specifications contained herein may be changed without prior notice.  
It is therefore advisable to contact Purdy Electronics before proceeding with the design of equipment incorporating this product.