

Transient Voltage Suppressors for ESD Protection

General Description

The LESD3Z5.0T1G Series is designed to protect voltage sensitive components from ESD and transient voltage events. Excellent clamping capability, low leakage, and fast response time, make these parts ideal for ESD protection on designs where board space is at a premium.

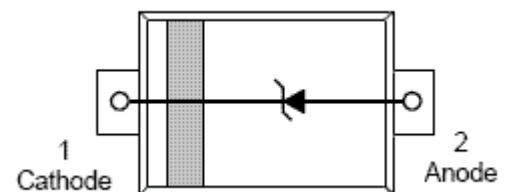
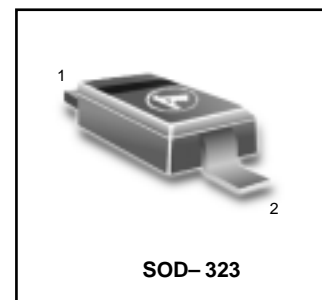
Applications

- Cellular Phone Handsets and Accessories
- Microprocessor based equipment
- Personal Digital Assistants(PDA'S)
- Notebooks, Desktops, and Servers
- Portable Instrumentation
- Pagers Peripherals

Features

- Small Body Outline Dimensions
- 350 Watts peak pulse power ($t_p = 8/20\mu s$)
- Transient protection for data lines to
IEC 61000-4-2 (ESD) $\pm 15kV$ (air), $\pm 8kV$ (contact)
IEC 61000-4-4 (EFT) 40A (5/50ns)
IEC 61000-4-5 (Lightning) 24A (8/20 μs)
- Small package for use in portable electronics
- Suitable replacement for MLV's in ESD protection applications
- Protects one I/O or power line
- Low clamping voltage
- Working voltages: 5V and 12V
- Low leakage current
- Solid-state silicon-avalanche technology
- We declare that the material of product compliance with RoHS requirements.

LESD3Z5.0T1G



ORDERING INFORMATION

Device	Package	Shipping
LESD3Z5.0T1G	SOD-323	3000/Tape & Reel

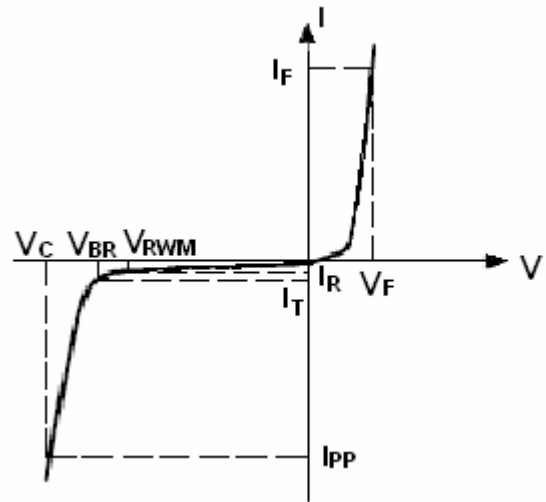
Absolute Ratings ($T_{amb}=25^{\circ}C$)

Symbol	Parameter	Value	Units
P_{PK}	Peak Pulse Power ($t_p = 8/20\mu s$)	350	W
V_{ESD}	ESD Voltage(HBM Waveform per IEC 61000-4-2)	30	kV
T_L	Maximum lead temperature for soldering during 10s	260	$^{\circ}C$
T_{STG}	Storage Temperature Range	-55 to +150	$^{\circ}C$
T_J	Maximum junction temperature	-55 to +125	$^{\circ}C$

Electrical Parameter

LESD3Z5.0T1G

Symbol	Parameter
I_{PP}	Maximum Reverse Peak Pulse Current
V_C	Clamping Voltage @ I_{PP}
V_{RWM}	Working Peak Reverse Voltage
I_R	Maximum Reverse Leakage Current @ V_{RWM}
I_T	Test Current
V_{BR}	Breakdown Voltage @ I_T
I_F	Forward Current
V_F	Forward Voltage @ I_F



Electrical Characteristics Ratings at 25°C ambient temperature unless otherwise specified. $V_F = 0.9V$ at $I_F = 10mA$

Device	V_{RWM} (V)	I_R (μA) @ $V_{RWM}=5V$	V_{BR} (V)@ $I_t=1mA$	V_C (V) @ $I_{PP}=5 A$ $t_p=8/20\mu s$	V_C (V) @ $I_{PP}=24$ $t_p=8/20\mu s$	I_{PP} (A) $t_p=8/20\mu s$	C (pF)
	Max	Max	Min	Typ	Max	Max	Typ
LESD3Z5.0T1G	5.0	10	6.0	9.8	14.5	24	350
LESD3Z12T1G	12.0	1.0	13.3	19.0	25.0	15	150

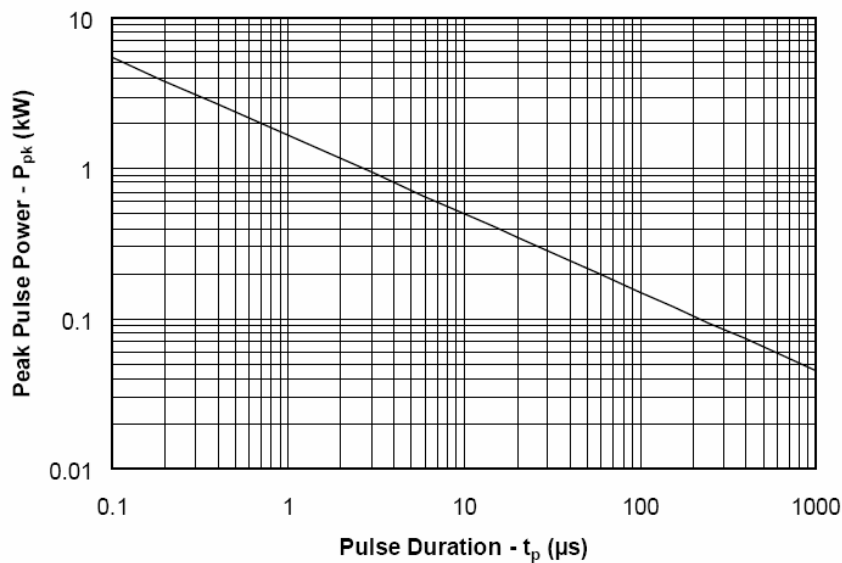
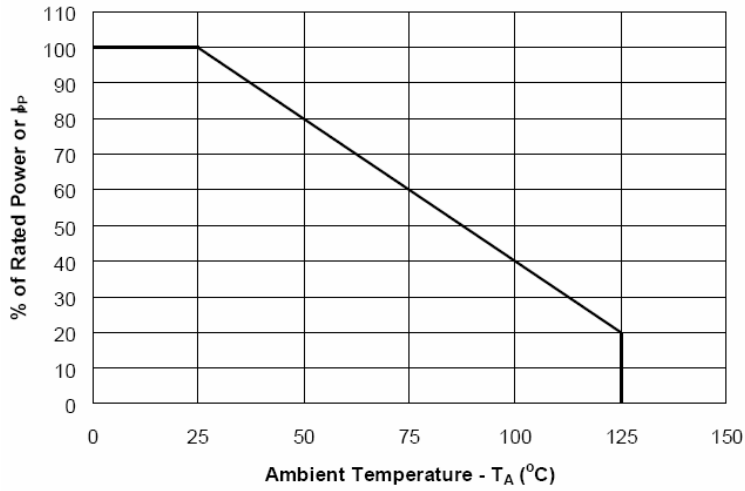
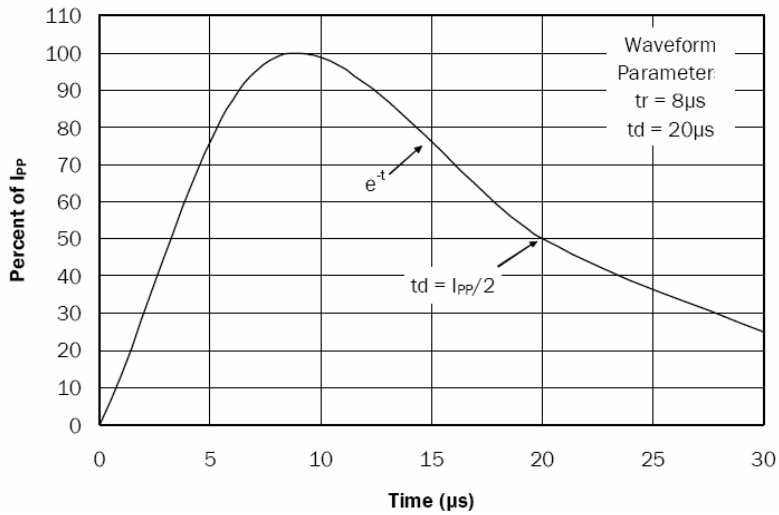
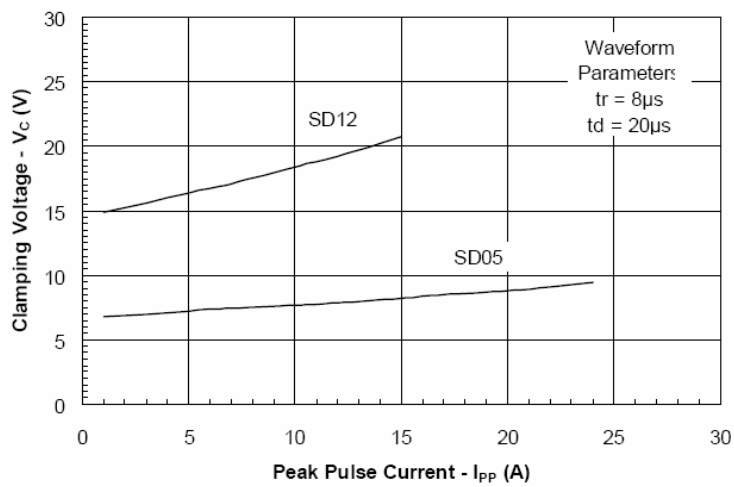
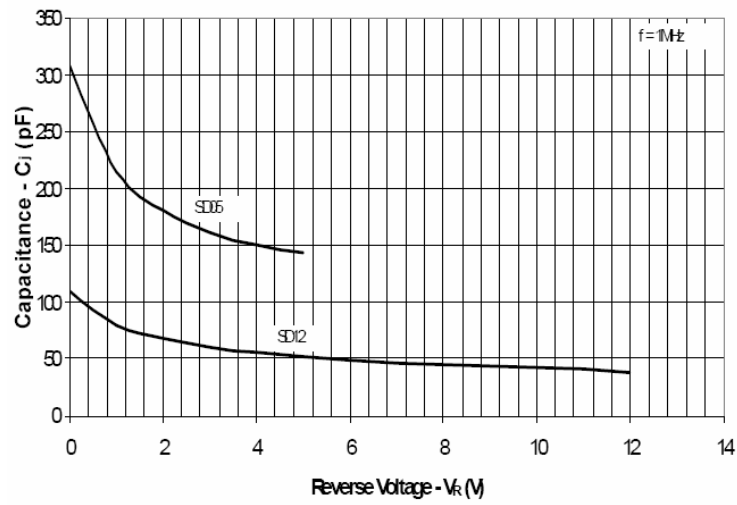
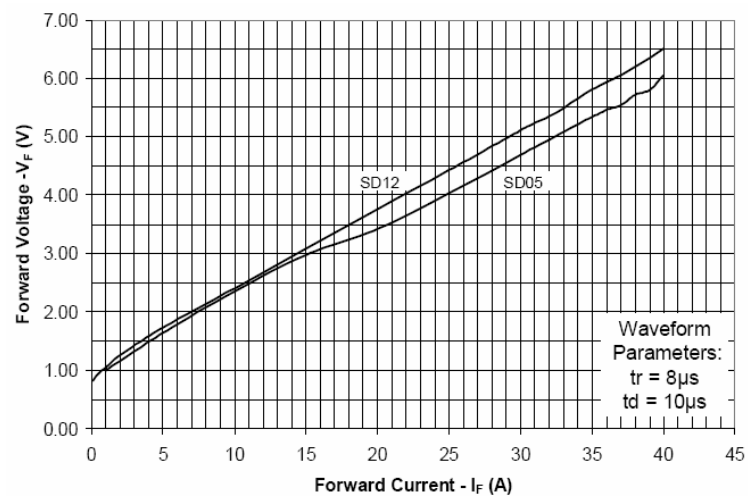
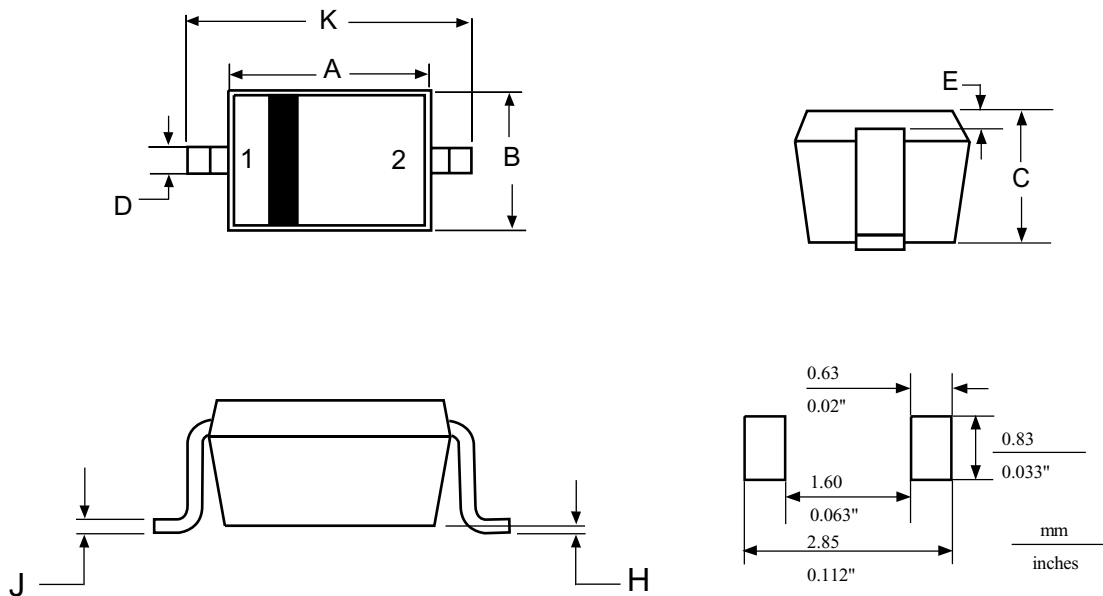


Fig.1 Non-Repetitive Peak Pulse Power vs. Pulse Time

LESD3Z5.0T1G

Fig.2 Power Derating Curve

Fig.3 Waveform

Fig.4 Clamping Voltage vs. Peak Pulse Current

LESD3Z5.0T1G

Fig.5 Capacitance vs. Reverse Voltage

Fig.6 Forward Voltage vs. Forward Current

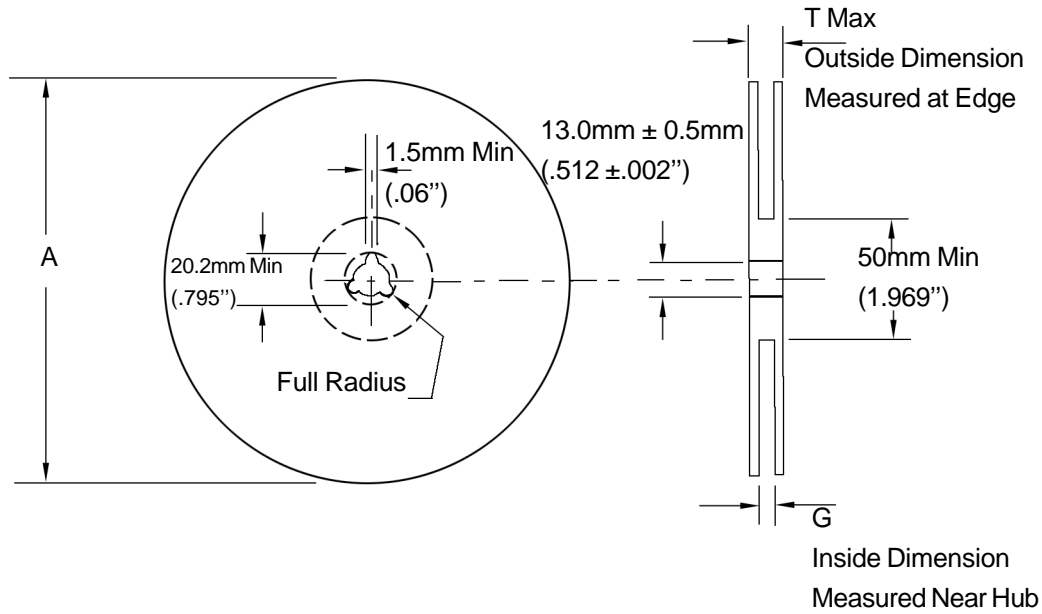
LESD3Z5.0T1G
SOD-323

NOTES:

1. DIMENSIONING AND TOLERANCING
PER ANSI Y14.5M, 1982.
2. CONTROLLING DIMENSION: MILLIMETERS

DIM	MILLIMETERS		INCHES	
	MIN	MAX	MIN	MAX
A	1.60	1.80	0.063	0.071
B	1.15	1.35	0.045	0.053
C	0.80	1.00	0.031	0.039
D	0.25	0.40	0.010	0.016
E	0.15 REF		0.006 REF	
H	0.00	0.10	0.000	0.004
J	0.089	0.177	0.0035	0.0070
K	2.30	2.70	0.091	0.106

PIN: 1. CATHODE
2. ANODE

EMBOSSED TAPE AND REEL DATA FOR DISCRETES



Size	A Max	G	T Max
8 mm	330mm (12.992")	8.4mm+1.5mm, -0.0 (.33"+.059", -0.00)	14.4mm (.56")

Reel Dimensions

Metric Dimensions Govern — English are in parentheses for reference only

Storage Conditions

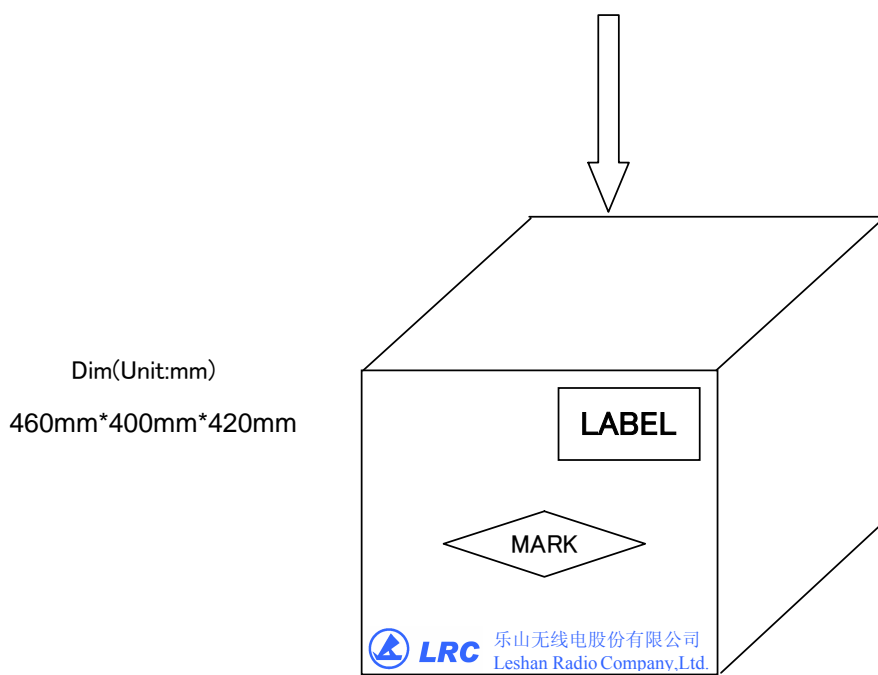
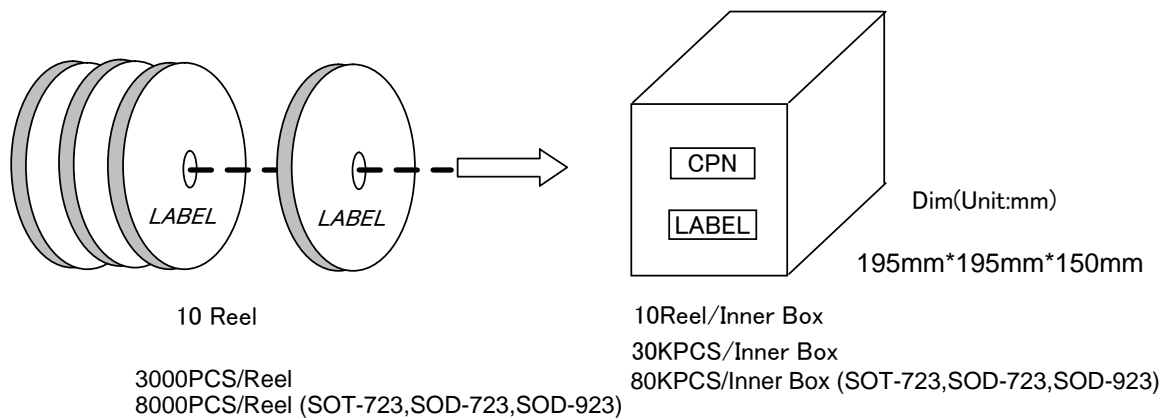
Temperature: 5 to 40 Deg.C (20 to 30 Deg. C is preferred)

Humidity: 30 to 80 RH (40 to 60 is preferred)

Recommended Period: One year after manufacturing

(This recommended period is for the soldering condition only. The characteristics and reliabilities of the products are not restricted to this limitation)

Shipment Specification



12 Inner Box/Carton

360KPCS/Carton
960KPCS/Carton (SOT-723,SOD-723,SOD-923)