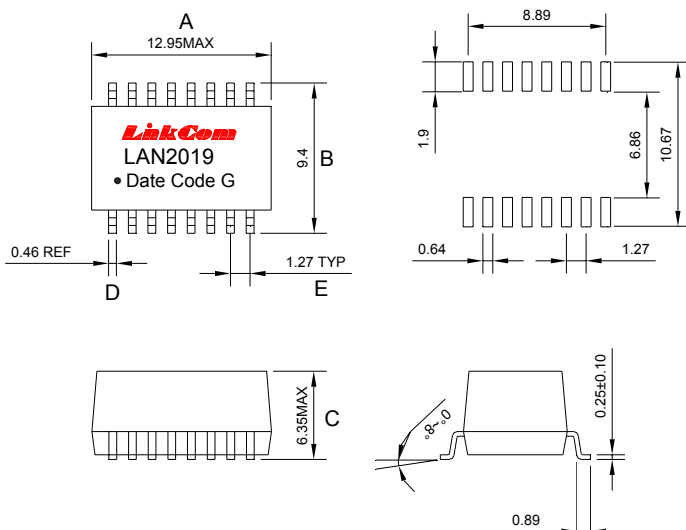


10/100BASE-Tx Power over Ethernet (PoE) Magnetics Module

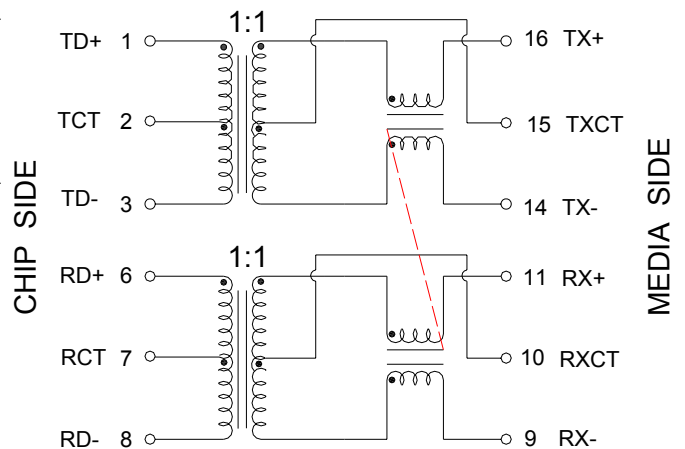
- Meets IEEE 802.3af standard
- RoHS Compliant
- Single port configuration
- Designed for IP phone or switch applications
- Operating Temperature: 0 ~70

Electrical Specification @25				
OCL:	350uH Min. @100KHz/0.1V with 8mA DC Bias			
Hi-POT :	1500Vrms.			
Turn Ratio:	1CT:1CT±3%			
D.C.R:	0.9ohm Max.			
Insertion Loss:	0.1MHz		1-100MHz	
	-1.2dB Max.		-1.0dB Max.	
Return Loss:	0.1-30MHz	40MHz	50MHz	60-80MHz
	-16dB Min.	-13dB Min.	-13dB Min.	-11dB Min.
D.C.M.R. :	30MHz		60MHz	
	-45dB Min.		-40dB Min.	
Cross Talk :	30MHz		60MHz	
	-43dB Min.		-37dB Min.	
	100MHz		100MHz	
	-35dB Min.		-33dB Min.	

Dimensions



Schematic



Units: mm
 Unless otherwise specified, all tolerances are ±0.25