

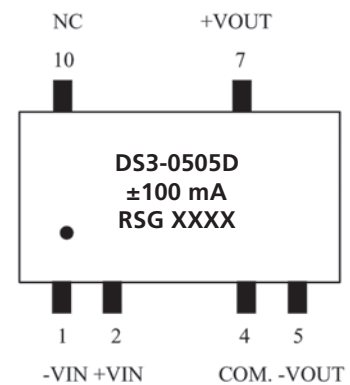
RSG Electronic Components GmbH
 Spremlinger Landstr. 115
 D-63069 Offenbach
 Tel. +49 69 984047-0
 Fax +49 69 984047-77
 info@rsg-electronic.de

DS3-XXXX-D2(H) series Dual output unregulated DC/DC converters 2W

www.rsg-electronic.de

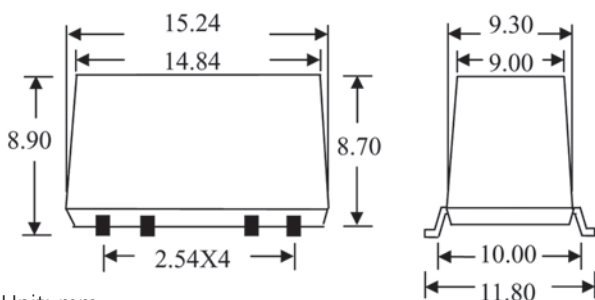
ELECTRICAL SPECIFICATIONS

■ Input voltage range	±10%
■ Output voltage accuracy	±5%
■ Line voltage regulation	1.2% typ. / 1% of Vin
■ Load voltage regulation (10%~100%) - 5V output types ->	15% max.
9V, 12V and 15V output types ->	10% max.
■ Ripple/Noise @ 20 MHz BW	±150 mV p-p max.
■ Efficiency at full load	70% min.
■ Isolation voltage	1000 VDC min.
■ Short circuit protection	1.0 sec.
■ Operating temperature range	-40°C~85°C
■ Storage temperature range	-55°C~125°C
■ Isolation resistance	10 GOhm min.
■ Isolation capacity	32 pF typ.
■ Package weight	1.8 g
■ ReFlow temp.	240°C max. (10~30 sec.)



Note: Add/H after P/N for isolation 2kVDC

PACKAGE STYLE AND PINNING (mm)



PIN	FUNCTION
1	-VIN
2	+VIN
4	COM
5	-VOUT
7	+VOUT
10	NC

Unit: mm
 Tol.: ±0.25 mm

SELECTION GUIDE

Part Number	Input Voltage (VDC)	Output Voltage (VDC)	Output Current (mA)	Efficiency (%)
DS3-XX05D	5, 9, 12, 15, 24	±5	±200	70
DS3-XX09D	5, 9, 12, 15, 24	±9	±111	72
DS3-XX12D	5, 9, 12, 15, 24	±12	±83	72
DS3-XX15D	5, 9, 12, 15, 24	±15	±66	72
DS3-XX24D	5, 9, 12, 15, 24	±24	±42	74

