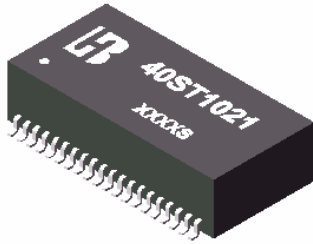


**40PIN SMD ETHERNET 10/100 BASE TX TWO PORT TRANSFORMER**

**P/N: 40ST1021 DATA SHEET**

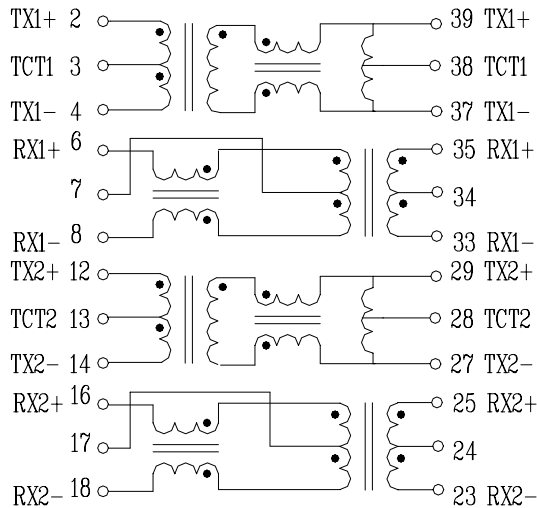
**Feature**



- 40-PIN SMD Package designed to meet IEEE 802.3 & IR requirement .
- Operating Temperature range: 0°C to +70°C.
- Storage temperature range: -25°C to +125°C.

Electrical Specifications @ 25°C								
Part Number	Turns Ratio (±5%)		OCL (uH Min) @ 100KHz/0.1Vrms with 8mA/DC Bias	CWW (pF Max)	L.L (uH Max)	Insulation Resistance (MΩ)	HI-POT (Vrms)	
	TX	RX						
40ST1021	1CT:1	1CT:1CT	350	28	0.5	10,000	1500	
Continue								
Part Number	Insertion Loss (dB Max)	Return Loss (dB Min)				Cross talk (dB Min)	DCMR TX/RX(dB Min)	
		0.3-100 MHz	0.3-30MHz	30-60MHz	60-80MHz		0.3-100MHz	1-60MHz
40ST1021	-1.15	-16	-12	-10	-38	-37	-25	

**Schematic**



**Mechanical**

