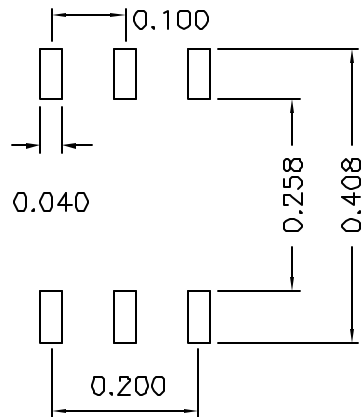
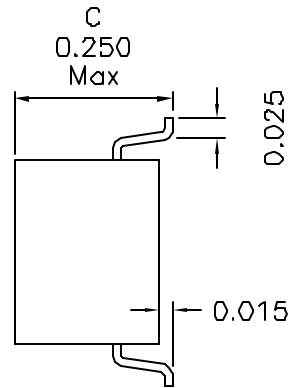
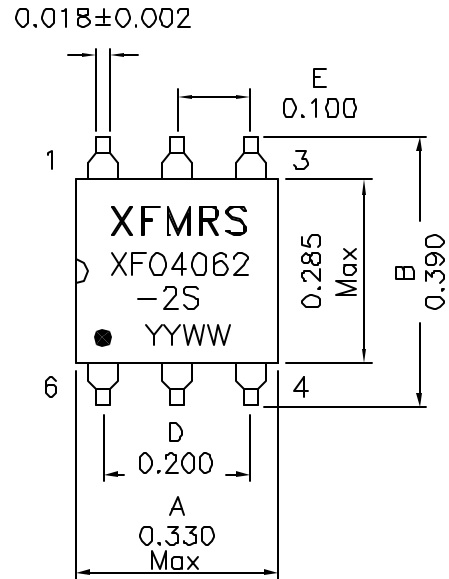
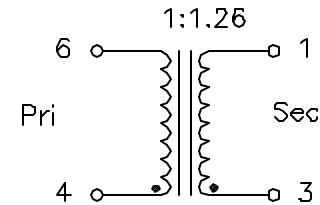


## 1. Dimensions:



SUGGESTED PCB LAYOUT

## 2. Schematic:



## 3. Electrical Specifications:

ISOLATION: 1500VAC

TURNS RATIO: (PIN4-6):(PIN3-1)=1:1.26 ±3%

PIN1-3 DCL: 40uH Min @100KHz 100mV

PRI LL: 0.1uH Maximum @100KHz 100mV SEC SHORTED

PIN1-6 Cw/w: 10pF Maximum @100KHz 100mV

PIN4-6 DCR: 0.3 OHMS Maximum

Pins 3-1 DCR: 0.4 Ohms Maximum

### Notes:

1. Solderability: Leads shall meet MIL-STD-202G, Method 208H for solderability.
2. Flammability: UL94V-0
3. ASTM oxygen Index: > 28%
4. Insulation System: Class F 155°C. UL file E151556
5. Operating Temperature Range: All listed parameters are to be within tolerance from -40°C to +85°C
6. Storage Temperature Range: -55°C to +125°C
7. Aqueous wash compatible
8. SMD Lead Coplanarity: ±0.004"(0.102mm)
9. Electrical and mechanical specifications 100% tested
10. RoHS Compliant Component

Note: Meets the UL1459 specification for isolation.

DOC. REV A/4

**PROPRIETARY**

Document is the property of XFMRs Group & is not allowed to be duplicated without authorization.

<b>XFMRs Inc</b> www.XFMRs.com	Title: TRANSFORMERS		
	UNLESS OTHERWISE SPECIFIED	P/N: XF04062-2S	REV. A
TOLERANCES: .xxx ±0.010	DWN.	廖玉坤	May-10-07
Dimensions in INCH	CHK.	李清儿	May-10-07
SHEET 1 OF 1	APP.	MS	May-10-07