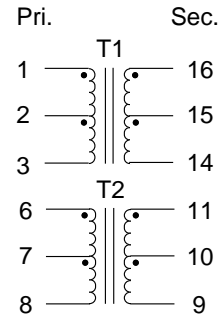


SMD Isolation Transformer for Ethernet/10 Base-T Application

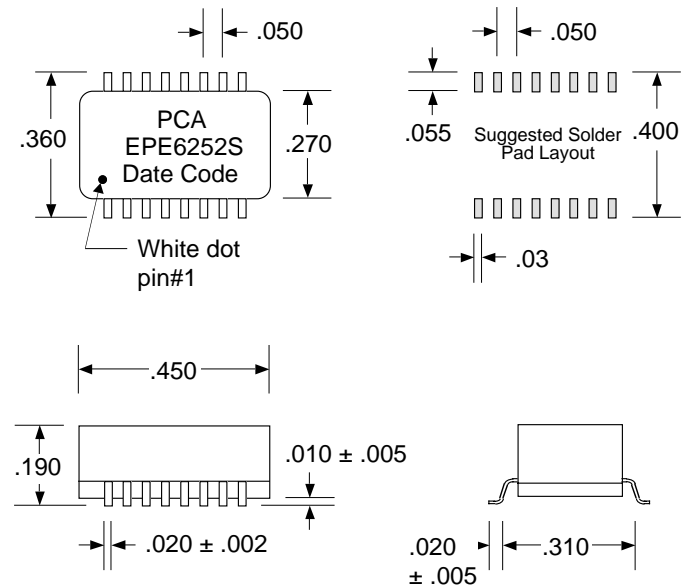
PCA Part Number : **EPE6252S**

Electrical Specifications		
Test	Specification	Equipment
Inductance Pri. (T1 & T2)	200µH min. @ 100 KHz, 0.1 Vrms	HP4275A
Leakage Inductance Pri. w/ Sec. Shorted (T1 & T2)	.25µH max. @ 100 KHz, 0.1 Vrms	HP4275A
Interwinding Capacitance Pri. to Sec. (T1 & T2)	15 pF max. @ 100 KHz, 0.1 Vrms	HP4275A
DCR Pri. (T1 & T2)	.35 Ω max.	Nat'l VP-2941A
Rise Time (T1 & T2)	3.5nS max.	TEK245A HP8007B
Hipot Pri. to Sec.	2000 Vrms	ARI 3560D
Polarity T1 T2	1°, 2°, 16°, 15° 6°, 7°, 11°, 9°	Tek. 2465A HP8007B
Ratio Pri. : Sec. T1 T2	1CT : 1CT 1CT : √2 CT	Tek. 2465A HP8007B
*Insulation Rating	-----	
*Oper.Ambient Temp.	-----	

Schematic



Package



Notes :

*Unless otherwise specified, all tests to be conducted @ 25°C and RH of 93% Max.