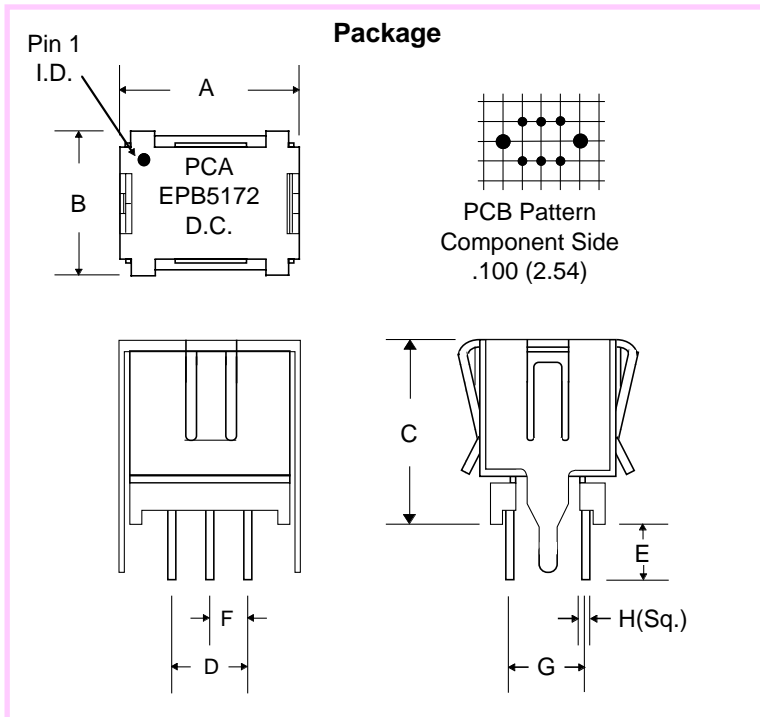
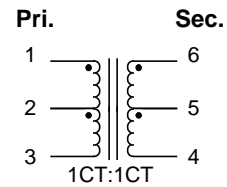


- Dielectric : 1.0 mA Max. @ 1250 Vrms for 1 second •

Electrical Parameters @ 25° C

Inductance (mH Min.)	Leakage Inductance (μ H Typ.)	Interwinding Capacitance (pF Typ.)	Return Loss (dB Typ.)	DCR (Ω Typ.)
@ 100 KHz, 0.1 Vrms	@ 100 KHz, 0.1 Vrms	@ 100 KHz, 0.1 Vrms	0.2 MHz - 30 MHz	---
1.2	0.55	20	-15	0.3
Pins 1-3	Pins 1-3 w/ 6-4 Shorted	Pri. to Sec.	---	Pins 1-3 & Pins 6-4

Schematic



Dimensions

Dim.	(Inches)			(Millimeters)		
	Min.	Max.	Nom.	Min.	Max.	Nom.
A	---	.465	---	---	11.81	---
B	---	.375	---	---	9.53	---
C	---	.394	---	---	10.00	---
D	---	---	.200	---	---	5.08
E	.100	.130	.115	2.54	3.30	2.92
F	---	---	.100	---	---	2.54
G	---	---	.200	---	---	5.08
H	---	---	.018	---	---	.457