

FERROXCUBE



c



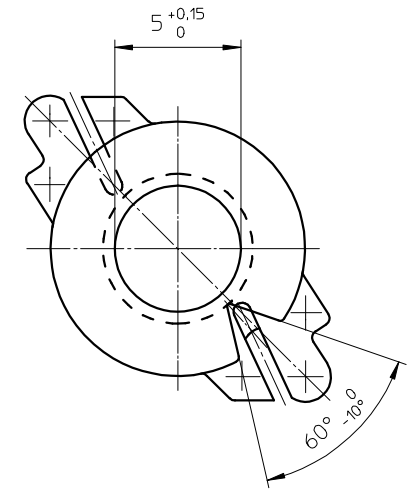
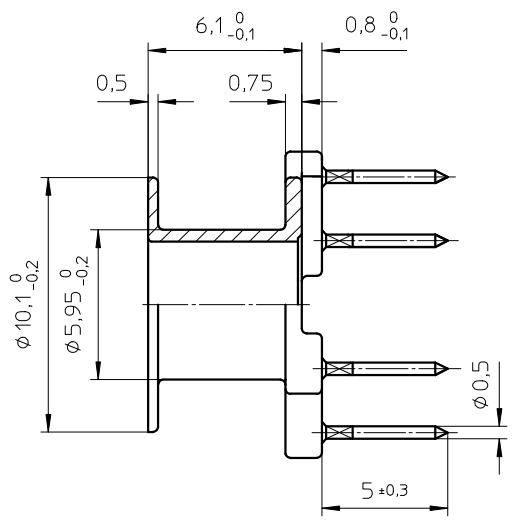
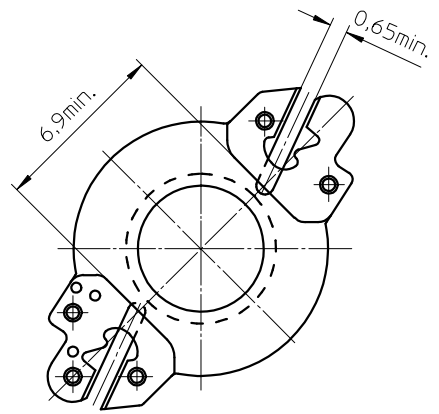
d

e



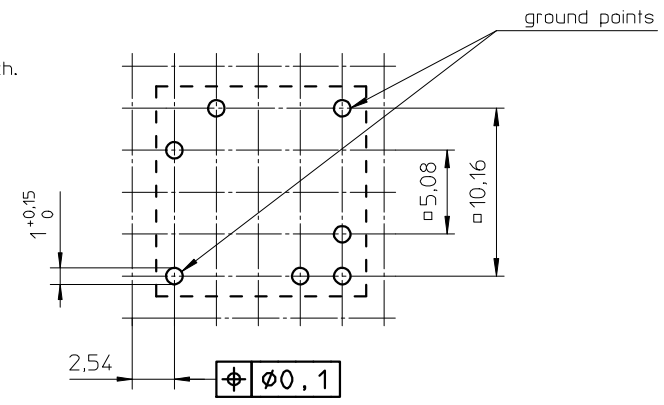
f

1 2 3 4 5 6 7 8



HOLE PATTERN:

Space requirement 5x5 pitch.



Coil former material: Bakelite UP 3420 (UP), glass-reinforced.
 UL file number: E61040 - UL94V-0.
 Pin material: CuSn - Ni flash, Sn plated.
 Max. operating temp.: acc. to IEC 60 085 class F, 155°C.
 Resistance to soldering heat: acc. to IEC 60 068-2-20 Part 2, Test Tb, method 1B, 350°C - 3,5sec.
 Solderability: acc. to IEC 60 068-2-20 Part 2, Test Ta, method 1, 235°C - 2sec.
 Min. winding area: 9,2 mm².
 Mean length of turn: 24,9 mm.

CLASSNO.		CSV-RM5-1S-5P		4322 021 34461		90-11-01
00-05-01						00-08-01
						01-04-24
						03-06-30
						05-09-01
NAME NAAM	M.Veekens	SUPERS. VERV.	1	SP BL	112 - 001	010
CHECK CONTR.		DAT.	98-01-26	Property of Eigendom van	© FERROXCUBE 2000	
						A3

1 2 3 4

a

b

c

d

e

f