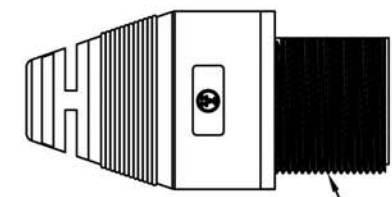


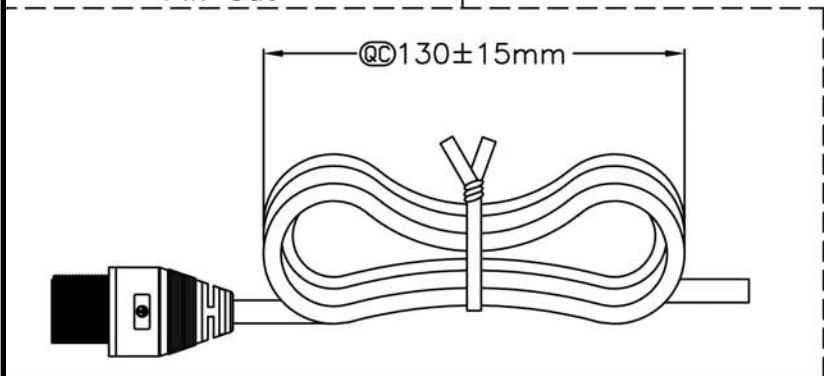
Conn.

Color:Black



13/16" - 28UN

Drain	Shield	
Black	4	
Green	3	Twist
White	2	
Red	1	
Wire Color	Conn.	
Pin Out		



Note:

- * \textcircled{C} Important Dimension.
- * Connector:Black,ABS
- * USB:USB-A Female Solder
- * Cable:USB2.0 28AWG*1P+24AWG*2C+AL.My+D+B
UV Resistant,Black,OD=5.0mm
- * Connector " "

UNIT:mm	
TOLERANCE	
$\pm 0.5 \text{ mm}$	

RoHS
Compliant

ITEM NO	A-KAB-USBA-FS-1M-R
TITLE	USB Memory Connector

ASSMANN
Electronics, Inc.

1840 W. Drake Drive, Suite 101 - Tempe, AZ 85283
Toll Free: 1-877-277-6266 Email: info@usa-assmann.com

THIS DRAWING IS UNPUBLISHED
© Copyright 2008 by Assmann Electronic Components
All International Rights Reserved