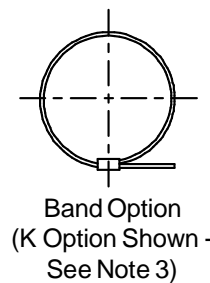
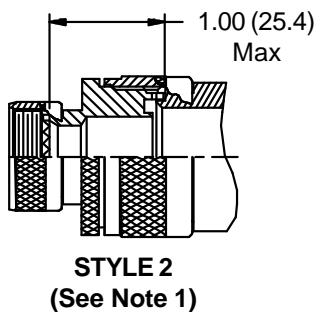
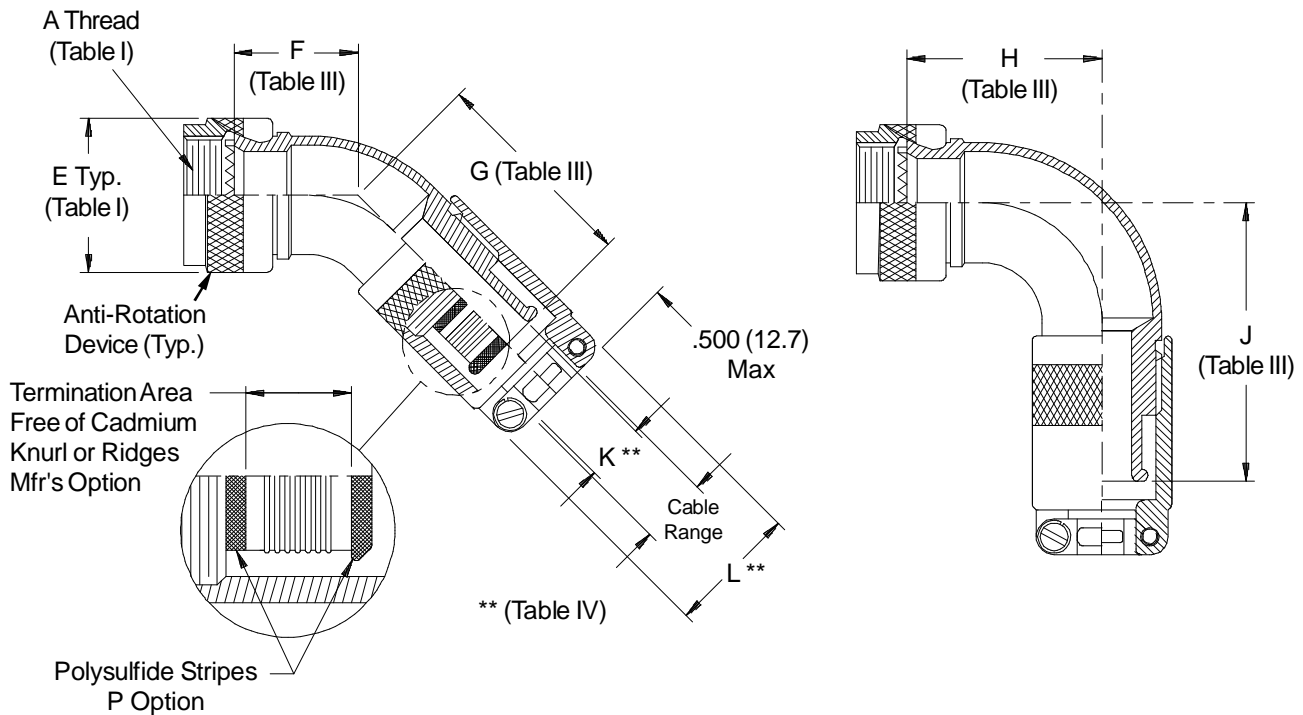
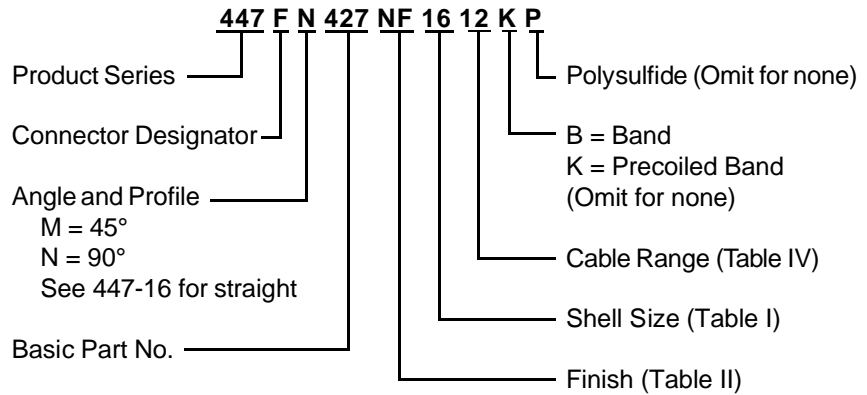


**CONNECTOR
DESIGNATORS
A-F-H-L-S
SELF-LOCKING
ROTATABLE
COUPLING**



See inside back cover fold-out or pages 13 and 14 for Tables I and II.

TABLE III: ELBOW DIMENSIONS

| Shell Size | | F | | G | | H | | J | |
|--------------|----|-------|--------|-------|--------|-------|--------|-------|--------|
| Conn. Desig. | H | Max | | Max | | Max | | Max | |
| A-F-L-S | | | | | | | | | |
| 08 | 09 | .973 | (24.7) | 1.057 | (26.8) | 1.281 | (32.5) | 1.375 | (34.9) |
| 10 | 11 | 1.017 | (25.8) | 1.111 | (28.2) | 1.406 | (35.7) | 1.500 | (38.1) |
| 12 | 13 | 1.067 | (27.1) | 1.161 | (29.5) | 1.531 | (38.9) | 1.625 | (41.3) |
| 14 | 15 | 1.121 | (28.5) | 1.215 | (30.9) | 1.656 | (42.1) | 1.750 | (44.5) |
| 16 | 17 | 1.170 | (29.7) | 1.264 | (32.1) | 1.781 | (45.2) | 1.875 | (47.6) |
| 18 | 19 | 1.220 | (31.0) | 1.314 | (33.4) | 1.906 | (48.4) | 2.000 | (50.8) |
| 20 | 21 | 1.274 | (32.4) | 1.368 | (34.7) | 2.031 | (51.6) | 2.125 | (54.0) |
| 22 | 23 | 1.328 | (33.7) | 1.422 | (36.1) | 2.156 | (54.8) | 2.250 | (57.2) |
| 24 | 25 | 1.377 | (35.0) | 1.471 | (37.4) | 2.281 | (57.9) | 2.375 | (60.3) |

TABLE IV: CABLE RANGE

| Dash No. | K | | L | | Cable Range | | |
|----------|-----------|-----------|-------|--------|-------------|--------|--------------|
| | $\pm.030$ | $\pm(.8)$ | Max | | Min | Max | |
| 10 | .220 | (5.6) | 1.000 | (25.4) | .130 | (3.3) | .250 (6.4) |
| 12 | .310 | (7.9) | 1.250 | (31.8) | .250 | (6.4) | .380 (9.7) |
| 14 | .440 | (11.2) | 1.340 | (34.0) | .310 | (7.9) | .440 (11.2) |
| 16 | .560 | (14.2) | 1.470 | (37.3) | .375 | (9.5) | .630 (16.0) |
| 18 | .630 | (16.0) | 1.560 | (39.6) | .560 | (14.2) | .690 (17.5) |
| 20 | .750 | (19.1) | 1.620 | (41.1) | .630 | (16.0) | .750 (19.1) |
| 22 | .880 | (22.4) | 1.750 | (44.5) | .750 | (19.1) | .880 (22.4) |
| 24 | 1.000 | (25.4) | 1.870 | (47.5) | .880 | (22.4) | 1.000 (25.4) |
| 28 | 1.060 | (26.9) | 1.970 | (50.0) | 1.000 | (25.4) | 1.130 (28.7) |
| 32 | 1.190 | (30.2) | 2.090 | (53.1) | 1.130 | (28.7) | 1.250 (31.8) |

1. When maximum cable entry (page 21) is exceeded, Style 2 will be supplied. Dimensions F, G, H and J will not apply. Please consult factory.
2. Metric dimensions (mm) are indicated in parentheses.
3. Backshells supplied with 600-052-* band, see Glenair Series 600 Tool Catalog for installation.