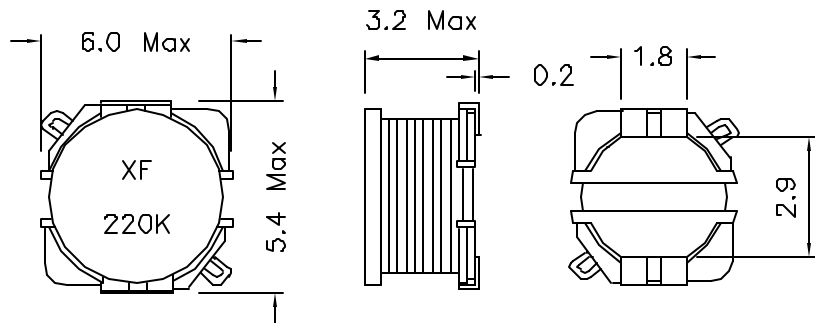
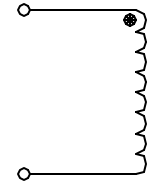


1. Mechanical Dimensions:



2. Schematic:



3. Electrical Specification:

OCL: 22 μ H \pm 10% @1KHz 1.0V
 Rated Current: 0.80Adc
 DCR: 0.26 Ohms Max.

Notes:

1. Solderability: Leads shall meet MIL-STD-202, Method 208D for solderability.
2. Flammability: UL94V-0
3. ASTM oxygen index: > 28%
4. Insulation System: Class F 155°C, UL file E151558
5. Operating Temperature Range: All listed parameters are to be within tolerance from -40°C to +85°C
6. Storage Temperature Range: -55°C to +125°C
7. Aqueous wash compatible
8. SMD Lead Coplanarity: $\pm 0.004"$ (0.102mm)
9. Moisture Sensitivity: Level 2

DOC. REV: A/1

PROPRIETARY

Document is the property of XFMRs Group & is not allowed to be duplicated without authorization.

XFMRs Inc.		Title: HIGH CURRENT SELF-LEADED SMT INDUCTORS	
UNLESS OTHERWISE SPECIFIED TOLERANCES: .xx \pm 0.25 Dimensions in MM	P/N: XFCDH53-220K	REV. A	
	DWN.	李小锋	Jul-27-04
	CHK.	廖玉坤	Jul-27-04
SHEET 1 OF 1	APP.	J Ng	Jul-27-04