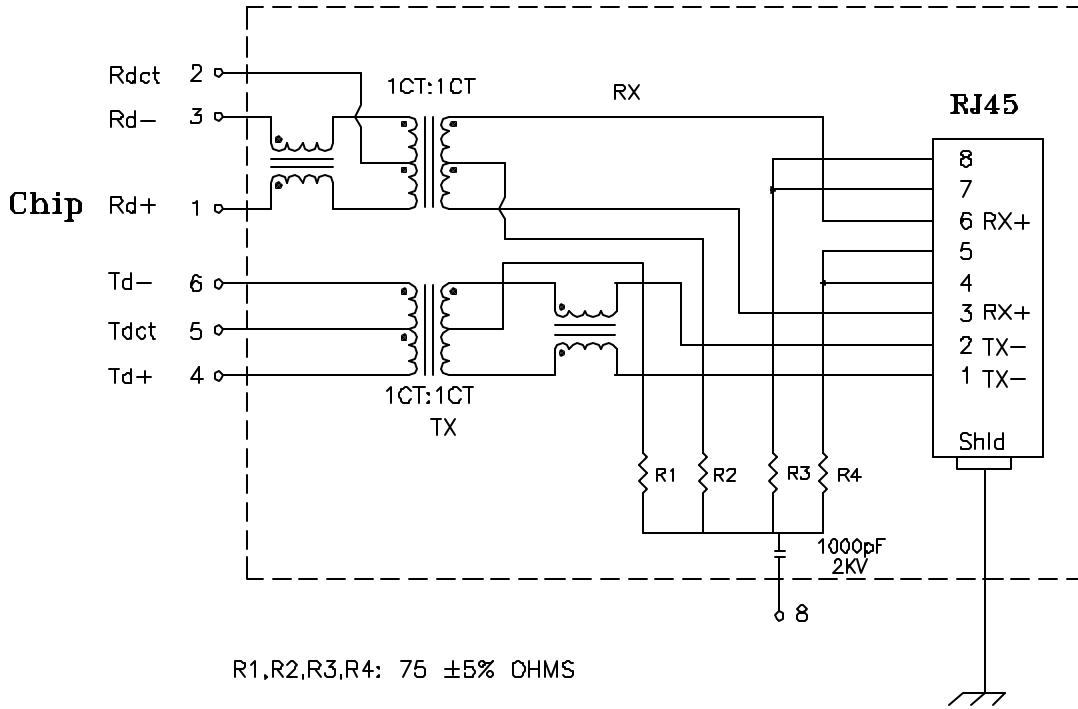


**Schematic:**



**Electrical Specifications: @25°C**

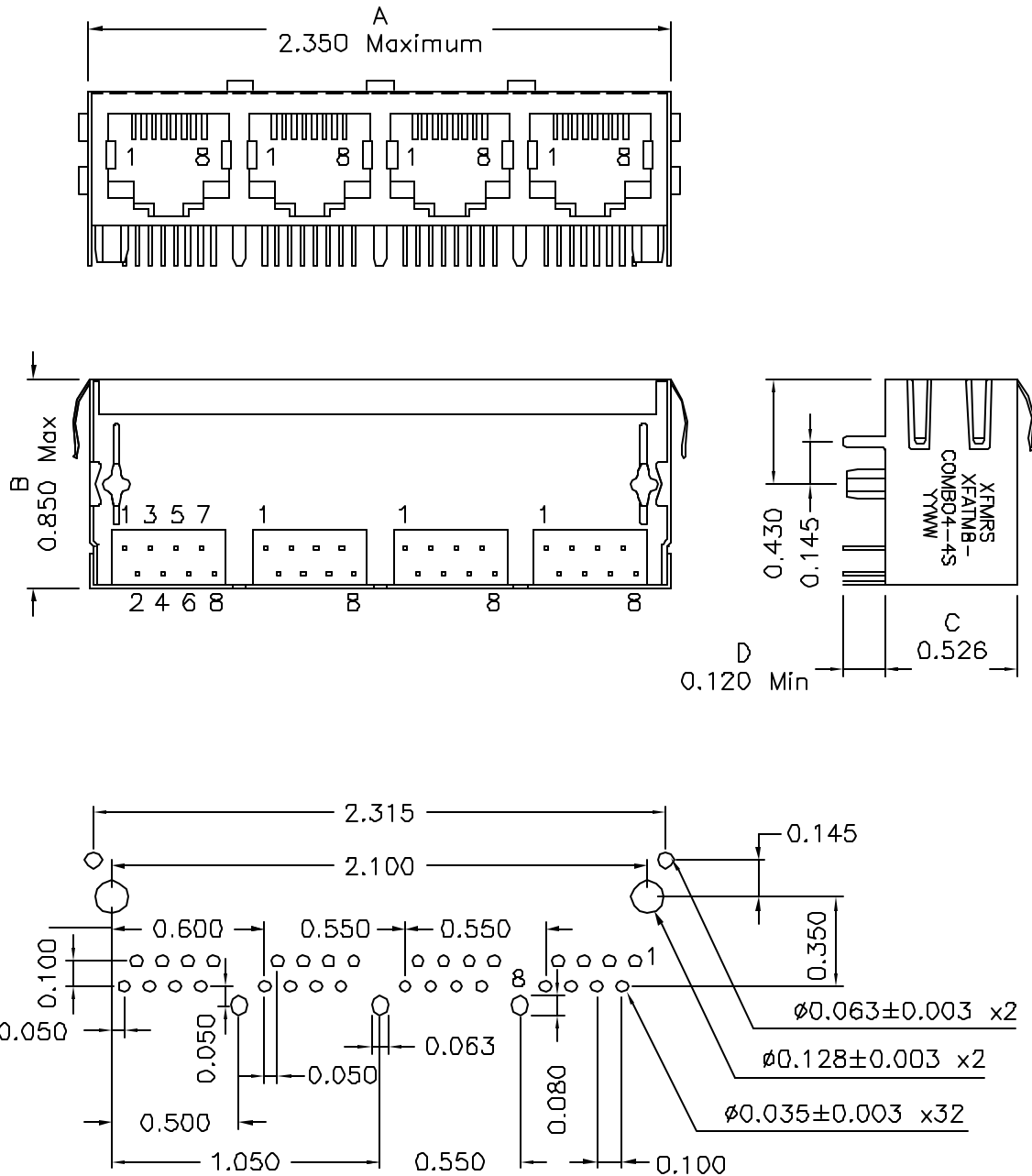
- UTP Impedance: 100 OHMS
- Turns Ratio: TX : 1CT:1CT (±2%)    RX : 1CT:1CT (±2%)
- Isolation Voltage: 1500 VAC (Input to Output)
- Isolation Voltage: 500 VAC (1+2+3-4+5+6)
- UTP Side OCL: 350uH Minimum @100KHz,100mV 8mADC
- Insertion Loss (0.3-100MHz): -1.0dB Maximum
- Return Loss: @30MHz -20dB Typ  
@80MHz -15dB Typ

**Note:**

1. Solderability: Leads shall meet MIL-STD-202, Method 208D for solderability.
2. Flammability: UL94V-0,
3. ASTM oxygen index: > 28% ,
4. Temperature rating: 155°C. UL file E151556,
5. Operating Temperature Range: 0°C to +70°C

<b>XFMRs Inc.</b>	Title: <b>SINGLE PORT COMBO</b>		
UNLESS OTHERWISE SPECIFIED TOLERANCES: .xxx ±0.010 Dimensions in Inch	P/N: XFATM8-COMBO4-4S	REV. A	
	DWN.	罗振江	Jul-14-03
	CHK.	廖玉坤	Jul-14-03
SHEET 1 OF 2	APP.	BW	Jul-14-03

# Mechanical Dimensions: (FOR COMB04-4S)



SUGGESTED MOUNTING PATTERN

DOC. REV: A/4

<b>XFMRS Inc.</b>	Title: Mechanical Dimensions For COMB04-4S Series		
	UNLESS OTHERWISE SPECIFIED TOLERANCES: .xxx ±0.010 Dimensions in Inch	P/N: XFATM8-COMB04-4S	REV. A
SHEET 2 OF 2	DWN.	罗振江	Jul-14-03
	CHK.	康玉坤	Jul-14-03
	APP.	BW	Jul-14-03