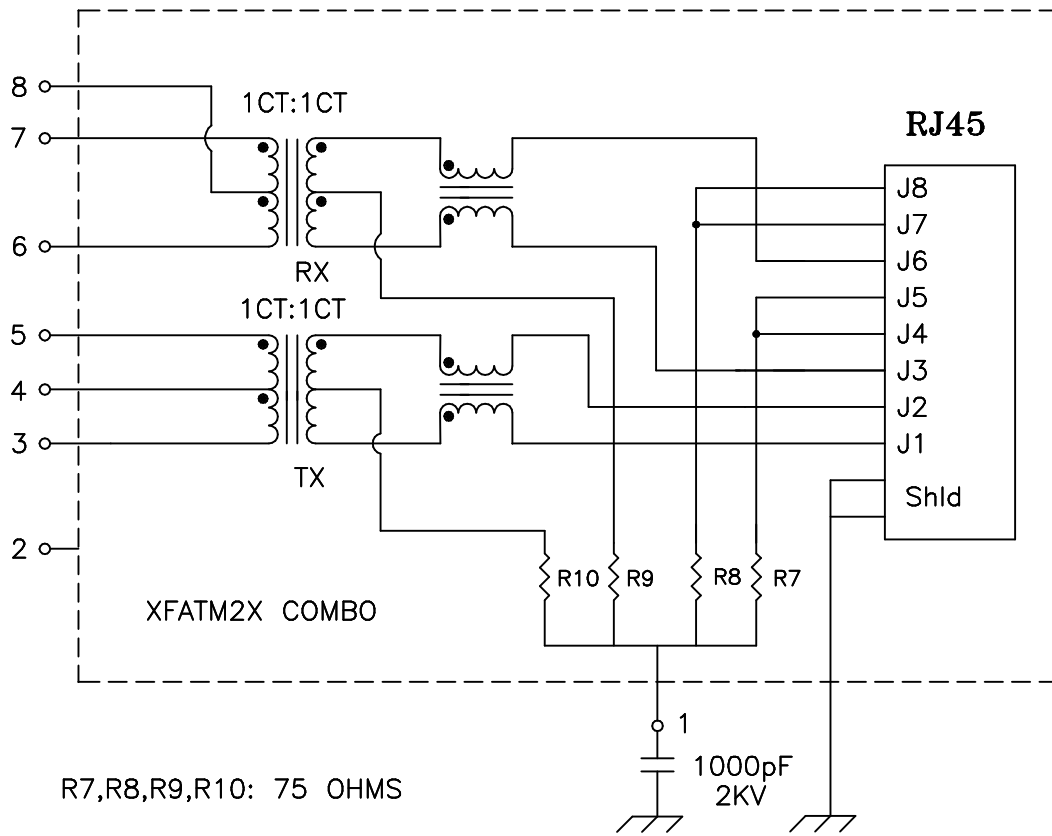


Schematic:

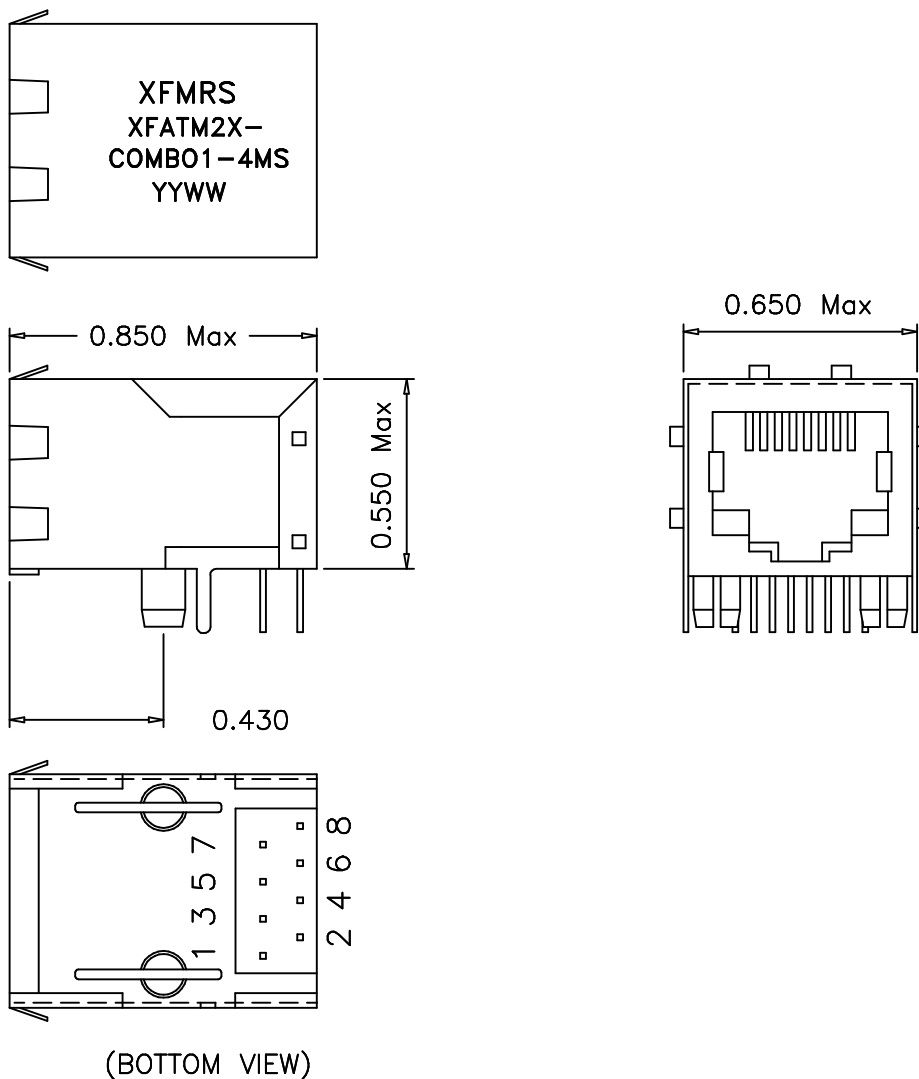


Electrical Specifications: @25°C

- UTP Impedance: 100 OHMS
- Turns Ratio: TX : 1CT:1CT ($\pm 2\%$) RX : 1CT:1CT ($\pm 2\%$)
- Isolation Voltage: 1500 VAC (Input to Output)
- Isolation Voltage: 500 VAC (3+4+5-6+7+8)
- UTP Side OCL: 350uH Minimum @100KHz, 100mV 8mADC
- Insertion Loss (0.3-100MHz): -1.0dB Maximum
- Return Loss: @30MHz -20dB Typ
 @80MHz -15dB Typ
- Rise Time (10-90%): 2nS Typical
- CMRR (0.3-100MHz): -30dB Typical
- Crosstalk Attenuation (1MHz-100MHz): -30dB Minimum

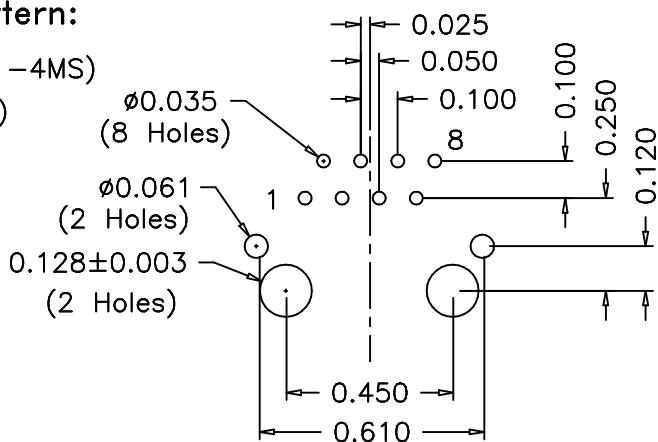
XFMRs Inc. UNLESS OTHERWISE SPECIFIED TOLERANCES: .xxx ± 0.010 Dimensions in Inch SHEET 1 OF 2	Title: SINGLE PORT COMBO		
	P/N: XFATM2X-COMBO1-4MS		REV. A
	DWN.	BW	May-22-01
	CHK.	Joe Huff	May-22-01
	APP.	Isaiah M	May-22-01

Mechanical Dimensions:



Mounting Pattern:

(FOR COMBO1-4MS)
(COMP SIDE)



XFMR5 Inc.

Title: Mechanical Dimensions
For COMBO1-4MS Series

UNLESS OTHERWISE SPECIFIED
TOLERANCES:
.xxx ±0.010
Dimensions in Inch

	XFATM2X-COMBO1-4MS	REV. A
DWN.	BW	May-22-01
CHK.	Joe Huff	May-22-01
APP.	Isaiah M	May-22-01

DOC. REV A/1

SHEET 2 OF 2