

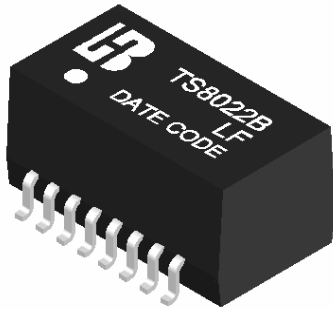


TS8022B LF

10 BASE-T SMD ETHERNET TRANSFORMER

P/N:TS8022B LF DATA SHEET

Feature



- 16 PINS, SMD package to compliant with IEEE802. 3 standard.
- Model is available to interface with 10 BASE-T transceivers.
- Compatible with IR oven processes.
- Comply with RoHS requirements-whole part No Cd, No Hg, No Cr6+, No PBB and PBDE and No Pb on external pins.
- Operation temperature range: 0 to +70 .
- Storage temperature range: -25 to +125 .

Electrical Specifications @ 25°C

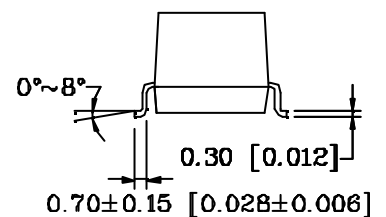
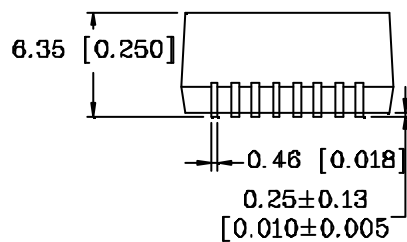
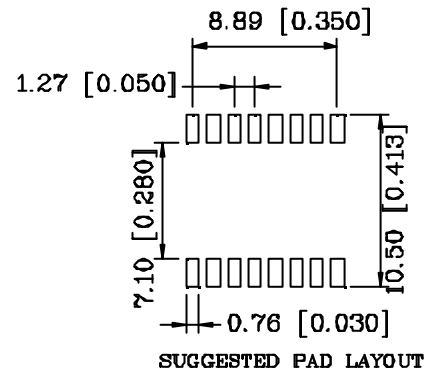
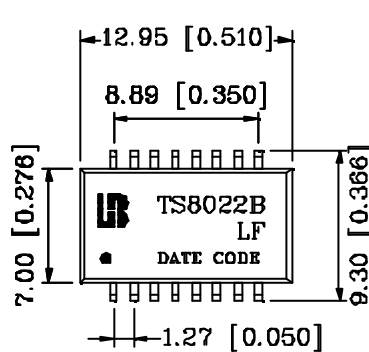
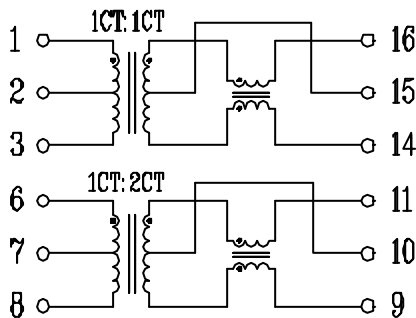
Part Number	Turns Ratio (±5%)		PRI OCL (uH Min) @100KHz/50mV	PRI L.L (uH Max) @100KHz/50mV
	(1-3):(16-14)	(6-8):(11-9)		
TS8022B LF	1CT: 1CT	1CT: 2CT	140	0.4

Continue

Part Number	C <sub>www</sub> (pF Max) @100KHz/50mV	PRI DCR ( Max)	PRI Pins	HI-POT PRI/SEC
TS8022B LF	15	0.4	(1-3) & (6-8)	2000Vrms /1mA

Schematic

Mechanical



Units: mm[Inches] Tolerances: xx.x0±0.25[0.010]  
0.xx±0.05[0.002]