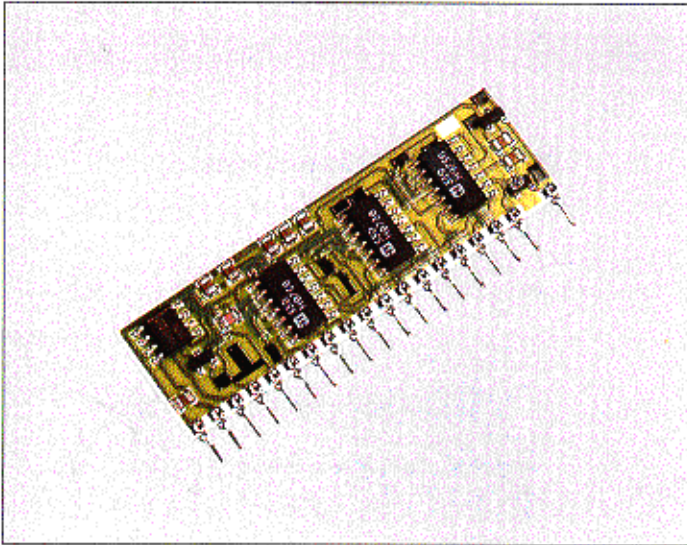




# SM1

## Sound level meter



### General description

The SM1 is a high performance sound level meter with twelve led drivers.

Design for professional audio mixers and other audio applications.

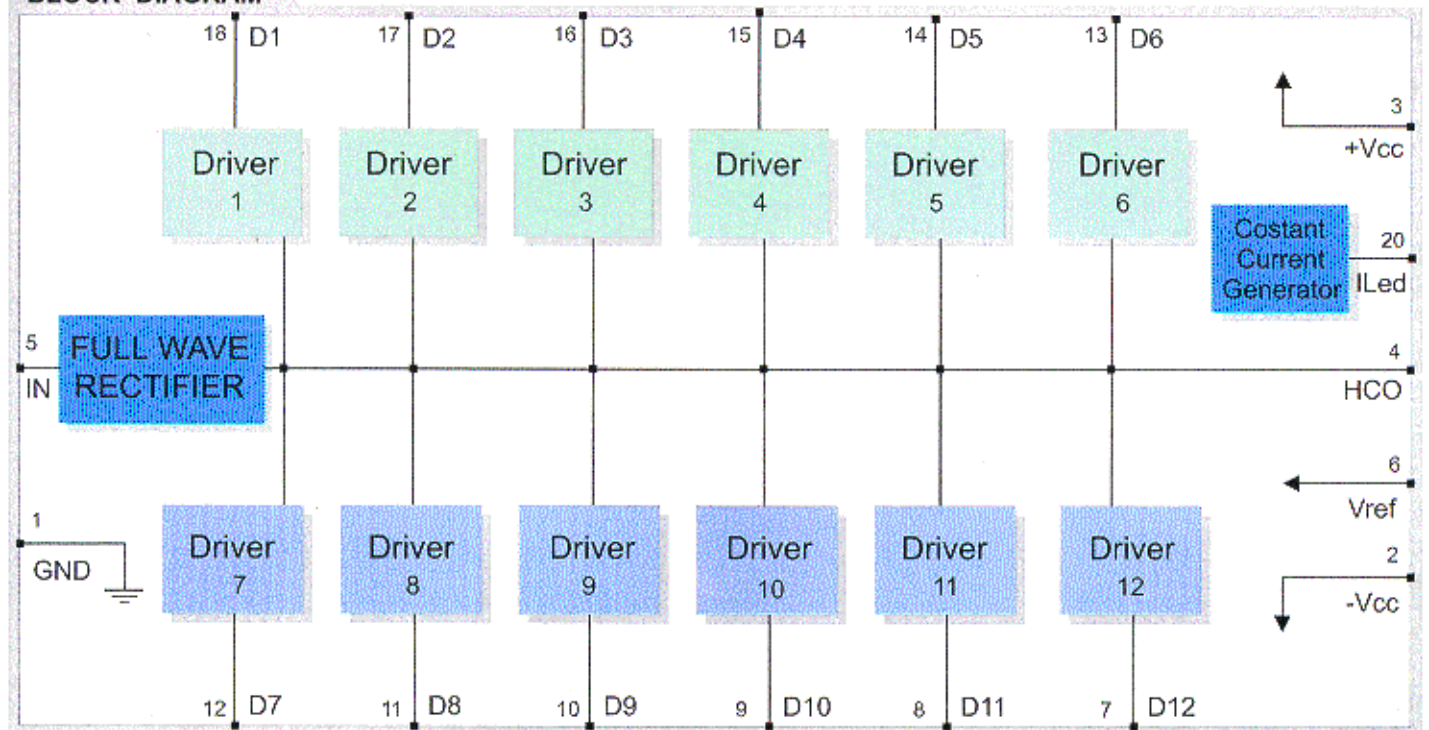
### Features

- Internal full wave audio rectifier
- Costant current led driver
- SIL Package
- Thick film hybrid technology

### Applications

- Fine Musical Instruments
- Guitar / Keyboard Amplifier
- Audio Mixer
- Karaoke Systems

### BLOCK DIAGRAM



## Electrical Characteristics

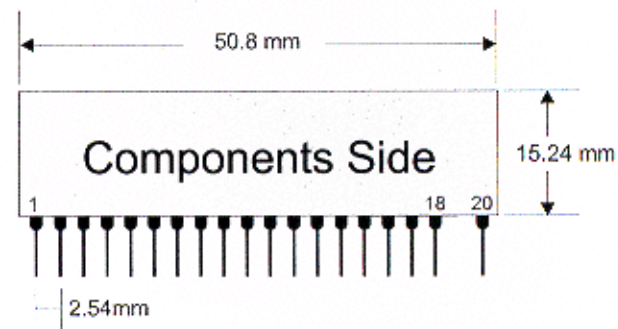
Ta = 25°C unless otherwise specified

	CHARACTERISTICS	MIN	TYP	MAX	UNIT
V <sub>CC</sub>	Supply Voltage	±9	±12	±15	VDC
I <sub>s</sub>	Supply Current (V <sub>CC</sub> = ±15)		25		mA
L <sub>i</sub>	Level Indicator	-21		+9	dB
T <sub>OP</sub>	Operating Temperature Range	-20		+80	°C

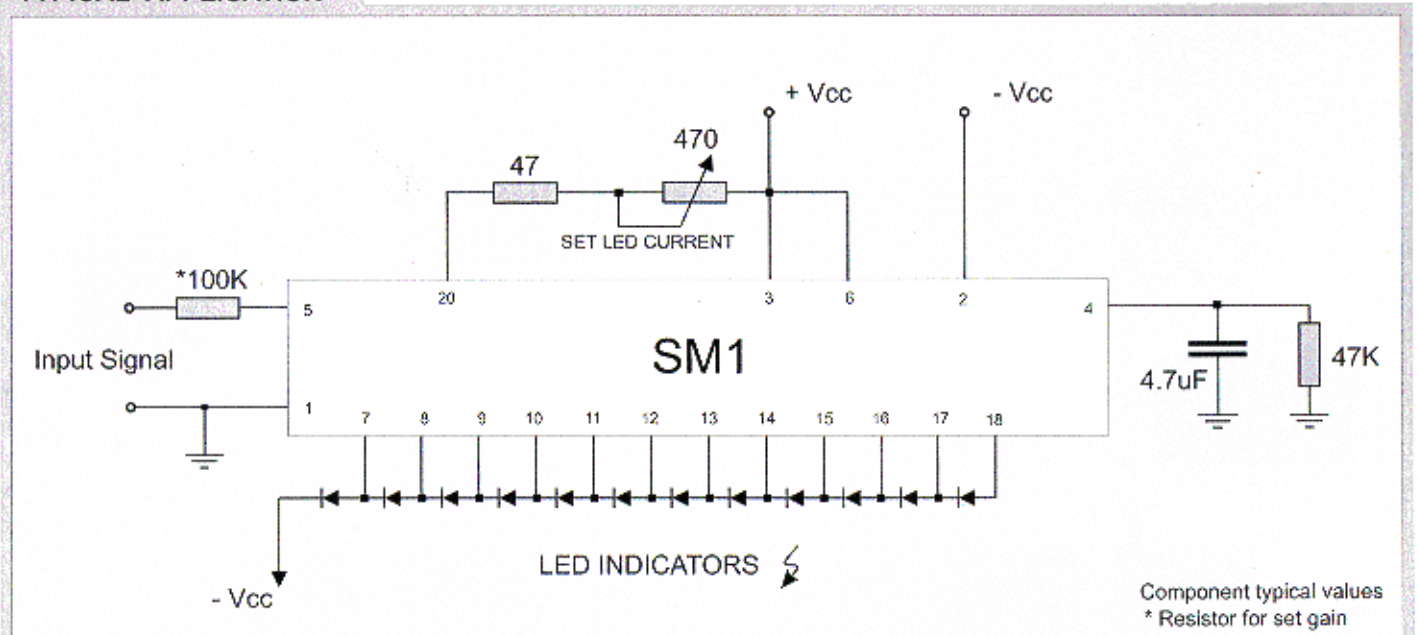
## Pin Description

1	GND	Ground
2	-VCC	Negative Supply Voltage
3	+VCC	Positive Supply Voltage
4	HCO	Hold Capacitor Output
5	IN	Input Signal
6	Vref	Voltage Reference Comparator
7	D12	Output led 12
8	D11	Output led 11
9	D10	Output led 10
10	D9	Output led 9
11	D8	Output led 8
12	D7	Output led 7
13	D6	Output led 6
14	D5	Output led 5
15	D4	Output led 4
16	D3	Output led 3
17	D2	Output led 2
18	D1	Output led 1
20	ILed	Led Current Set

## Mechanical Dimensions



## TYPICAL APPLICATION



R. F. Solutions Ltd.,  
Unit 21, Cliffe Industrial Estate,  
South Street,  
Lewes.

E Sussex, BN8 6JL, England.

Tel +44 (0)1273 898 000. Fax +44 (0)1273 480 661.

Email sales@rfsolutions.co.uk <http://www.rfsolutions.co.uk>

RF Solutions is a member of the Low Power Radio Association.