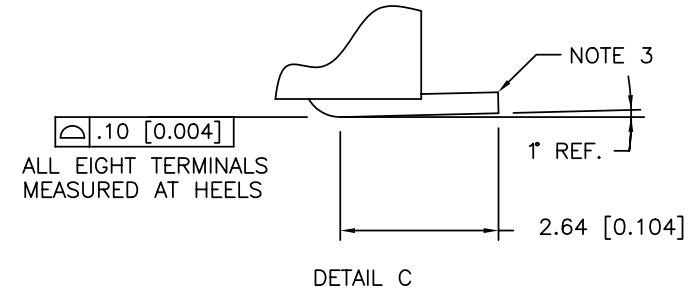
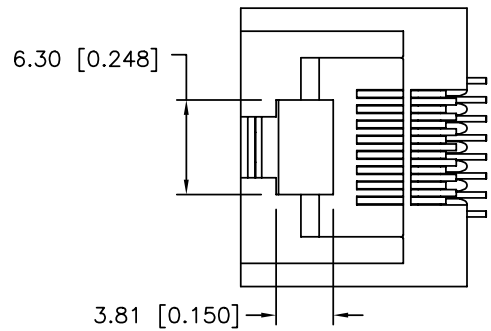
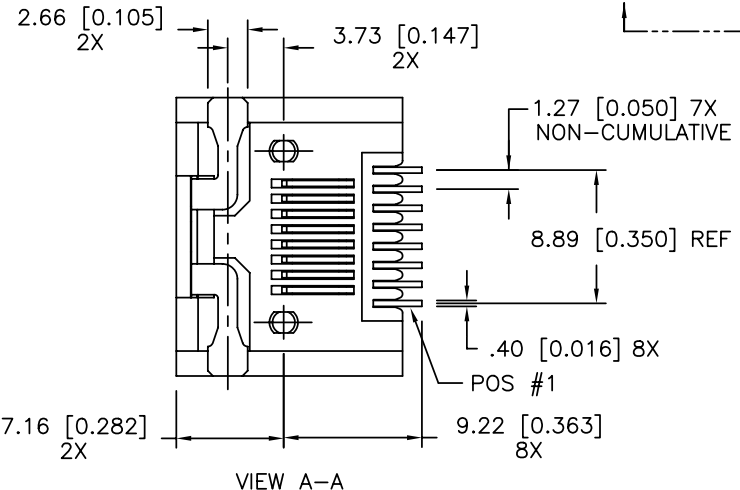
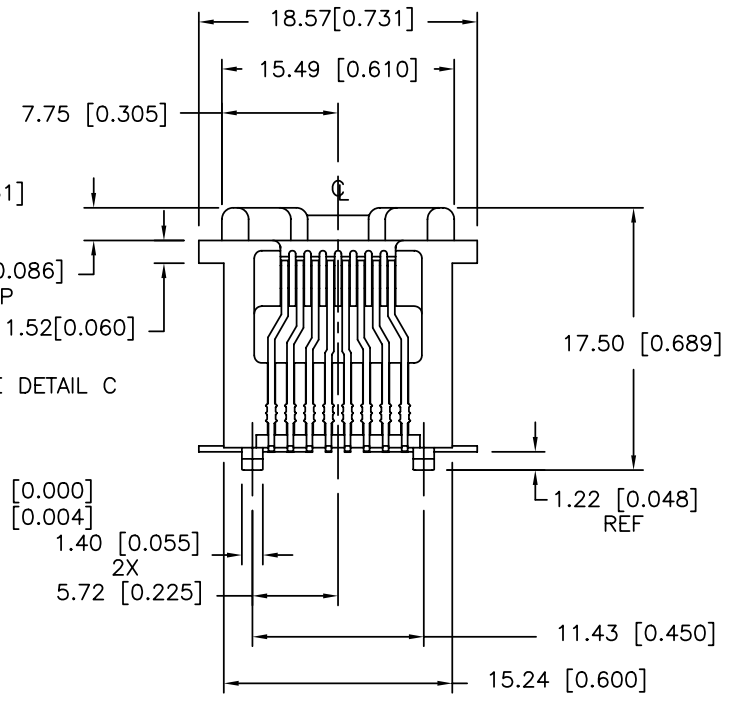
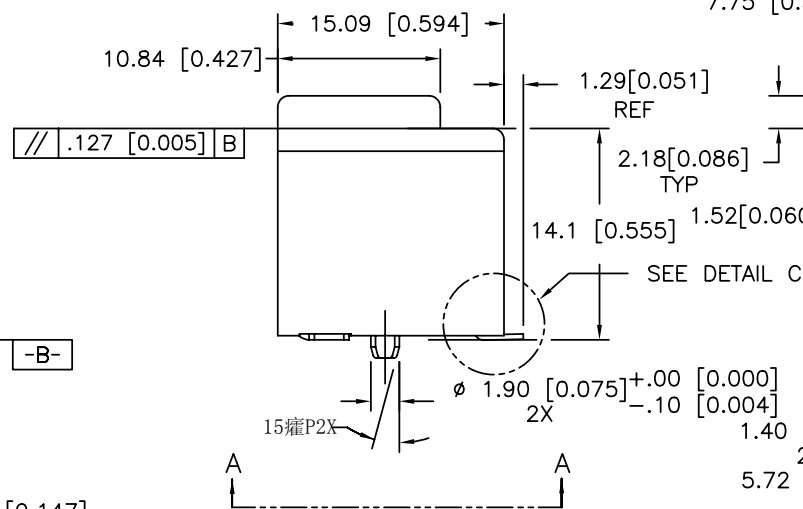
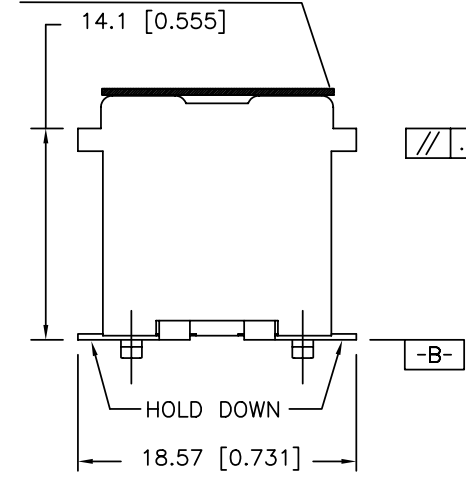


PRODUCT NO.
SEE TABLE



THE MYLAR ONLY FOR 87547-XXX1C/XXX1CLF SEE NOTE 7



mat'l. code				tolerances unless otherwise specified		CUSTOMER COPY		FCJ www.fcjconnect.com	
ltr	ecn no	dr	date	linear	.X±.3/.XX±.01		projection	title	
S	N08-0194	SH	09/08/08		.XX±.13/.XXX±.005			A-SMT ASSEMBLY VERT 8 POS	
K	V12666	LP	1/10/02		XXX±.051/.XXX±.0020			product family MOD JACK size dwg no	
L	V21834	LP	12/2/02		0' ±2'			code 213	
M	V04-0861	DAI	08/30/04	dr	L.POTTEIGER	12/2/02	MM/INCH scale 1:1	sheet 1 of 2	
N	N05-0035	YS	02/18/05	enr	J.KONTOS	12/2/02		87547	
P	N05-0142	ZC	6/2/05	chr	J.KONTOS	12/2/02		A4	
R	N07-0217	WG	09/07/07	appd	J.KONTOS	12/2/02		1 of 2	
sheet index	revision	R	R						
	sheet	1	2						

Tous droits strictement reserves. Reproduction ou communication a des tiers interdite sous quelque forme que ce soit sans autorisation écrite du propriétaire. Propriete de c FCI. Droits de reproduction FCI.
 All rights strictly reserved. Reproduction or issue to third parties in any form whatever is not permitted without written authority from the proprietor. Property of FCI. Copyright FCI.

PRODUCT NO.

87547-XXXX

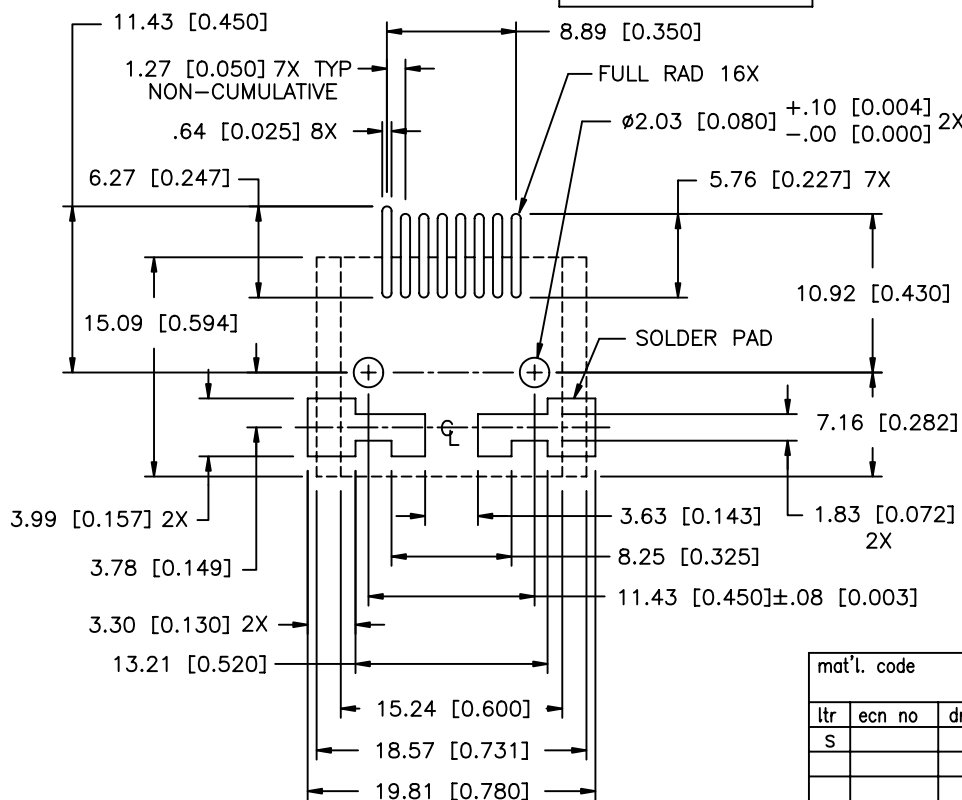
87547-XXXXLF

CONTACT PLATING OPTIONS	
1 = GXT .76µm [30µ"]	
2 = GOLD 1.27µm [50µ"]	
3 = PdNi .64µm [25µ"]	NOT TOOLED
4 = GOLD .76µm [30µ"]	

TERMINAL LOADING OPTIONS	
1 = FULLY LOADED 8 POSITION	
2 = POS. 1,2,7,8 LOADED, 4 POS.	
3 = POS. 3,4,5,6 LOADED, 4 POS	

COLOR	
1 = BLACK	
2 = RED	

PACKAGE OPTIONS		
BLISTER PACKAGE (TAPE & REEL)		24" REEL
1 = LOADED FACE UP		
BLISTER PACKAGE (TAPE & REEL)		NOT TOOLED
2 = LOADED FACE DOWN		
3 = PACKAGED IN TUBES		NOT TOOLED
4 = PACKAGED IN TRAYS		
BLISTER PACKAGE (TAPE & REEL)		15" REEL
5 = LOADED FACE UP		



RECOMMENDED PC BOARD L/O

NOTES:

- MATERIAL: HOUSING - THERMOPLASTIC V-0
CONTACT - PHOSPHOR BRONZE
- PLATING: SOLDER TAILS - FOR 87547-XXXX : 2.54 µm [100 µIN] MIN. TIN LEAD OVER 2.54 µm [100 µIN] NICKEL
FOR 87547-XXXXLF: 2 µm [80 µIN] MIN. PURE MATTE TIN OVER 1.27 µm [50 µIN] MIN. NICKEL
HOLDDOWN - FOR 87547-XXXX: 2.54 µm [100 µIN] MIN TIN LEAD OVER 2.54 µm [100 µIN] NICKEL
FOR 87547-XXXXLF: 2µm [80 µIN] MIN. PURE TIN OVER 1.27 µm [50 µIN] MIN. NICKEL
CONTACT AREA PLATING - SEE CHART ON SHEET 2
- MAX "TOE UP" AT TIP = 0.127 [0.005]
- IF LF P/N PACKAGING MEETS GS-14-920 SPECIFICATION.
- THE HOUSING WILL WITHSTAND EXPOSURE TO 260°C PEAK TEMPERATURE FOR 40 SECONDS IN A CONVECTION, INFRA-RED OR VAPOR PHASE REFLOW OVEN.
- IF LF P/N THE PRODUCT MEETS EUROPEAN UNION DIRECTIVES AND OTHER COUNTRY REGULATIONS AS DESCRIBED IN GS-22-008.
- APPLY THE MYLAR ON THE P/N 87547-XXX1 WITH SUFFIX "C" FOR PICKING UP. FOR INSTANCE 87547-4111CLF .

mat'l. code		tolerances unless otherwise specified		CUSTOMER COPY		www.fciconnect.com	
ltr	ecn no	dr	date	linear		projection	title
S				.X±.3/.XX±.01		A-SMT ASSEMBLY VERT 8 POS	
				.XX±.13/.XXX±.005	MM/INCH	product family	MOD JACK
				.XXX±.051/.XXX±.0020	scale	size	dwg no
				angles	1:1	A4	87547
				dr	L.POTTEIGER	12/2/02	code
				enr	J.KONTOS	12/2/02	213
				chr	J.KONTOS	12/2/02	sheet
				appd	J.KONTOS	12/2/02	2 of
sheet index	revision sheet						

Tous droits strictement reserves. Reproduction ou communication a des tiers interdite sous quelque forme que ce soit sans autorisation ecrite du proprietaire. Propriete de c FCI. Droits de reproduction FCI.



All rights strictly reserved. Reproduction or issue to third parties in any form whatever is not permitted without written authority from the proprietor. Property of FCI. Copyright FCI.