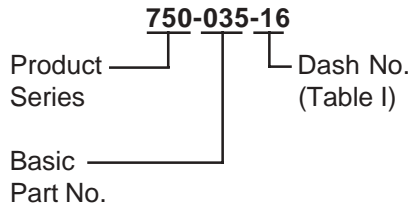


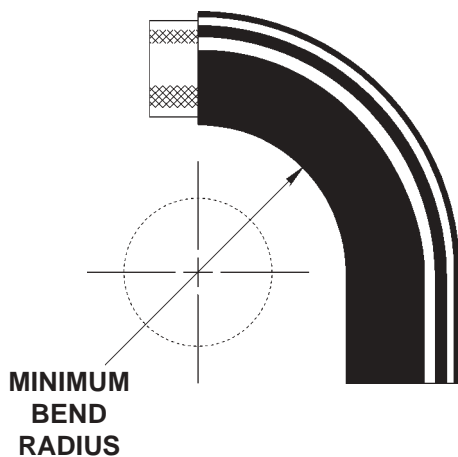
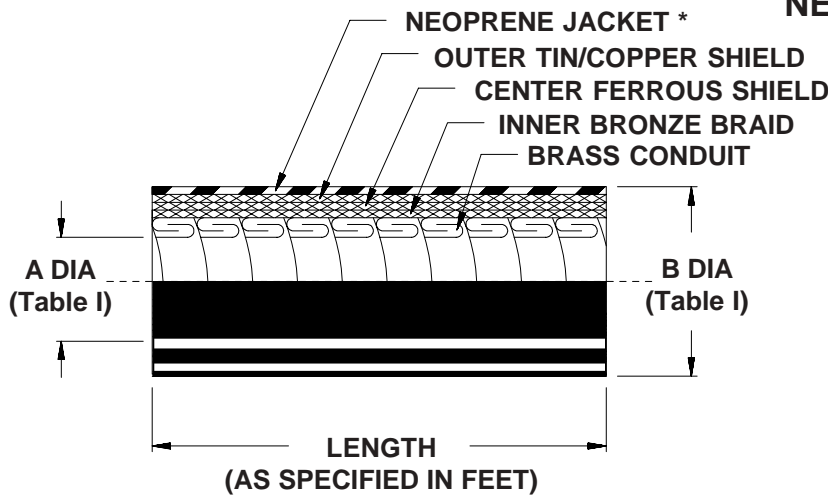
750-035 Type C Series 75 Flexible Metal-Core Conduit



Series 75
Metal-Core
Conduit



**TYPE
C**
**BRASS CONDUIT
INNER BRONZE BRAID
BRAIDED CENTER FERROUS
EMI SHIELD
BRAIDED OUTER TIN/COPPER
EMI SHIELD
NEOPRENE JACKET ***



Metric dimensions (mm) are in parentheses.

* For other jacket materials or for conduit without the jacket, consult the factory.

TABLE I				
DASH NO.	A DIA	B DIA MAX	MINIMUM BEND RADIUS**	
08	.250 (6.4)	.688 (17.5)	1.750	(44.5)
12	.375 (9.5)	.812 (20.6)	2.000	(50.8)
16	.500 (12.7)	.937 (23.8)	2.500	(63.5)
20	.625 (15.9)	1.062 (27.0)	3.000	(76.2)
24	.750 (19.1)	1.203 (30.6)	3.750	(95.3)
32	1.000 (25.4)	1.562 (39.7)	5.000	(127.0)
40	1.250 (31.8)	1.812 (46.0)	6.250	(158.8)
48	1.500 (38.1)	2.062 (52.4)	7.750	(196.9)
56	1.750 (44.5)	2.312 (58.7)	8.500	(215.9)
64	2.000 (50.8)	2.593 (65.9)	10.000	(254.6)
80	2.500 (63.5)	3.093 (78.6)	12.500	(317.5)
96	3.000 (76.2)	3.630 (92.2)	15.000	(381.0)

** The minimum bend radius shown for each size is based on Type A construction (see page C-5). For multiple-braided coverings, these minimum bend radii may be increased slightly.