

KR Electronics

General Description

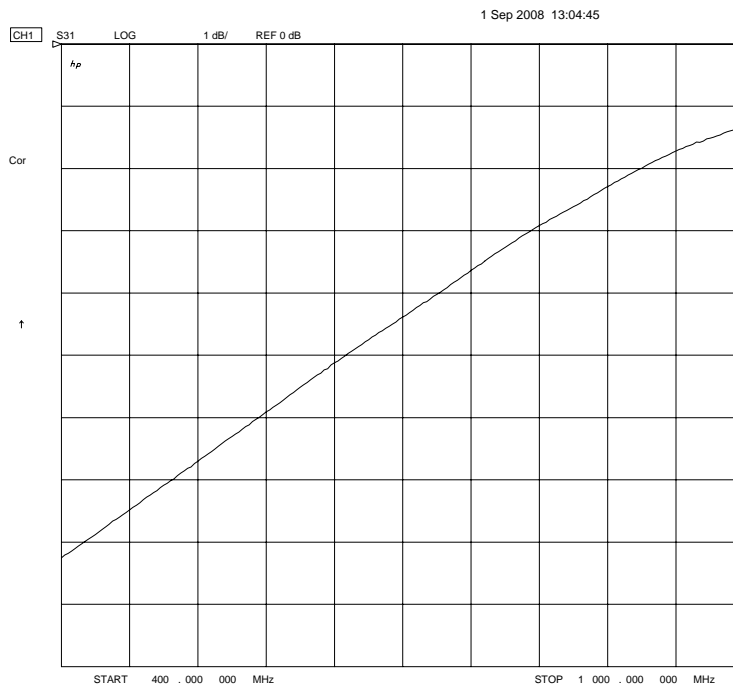
KR 2848 is a 7 dB negative slope equalizer. The equalizer has a frequency band from 400 MHz to 1000 MHz. Other frequencies and slopes are available. Please consult the factory.

Features

- 7 dB Negative Slope Equalizer
- 400 MHz to 1000 MHz
- 50 Ω Source and Load
- Surface Mount

Typical Performance

Frequency Response (1 dB/div)



KR Electronics, Inc.
91 Avenel Street
Avenel, NJ 07001

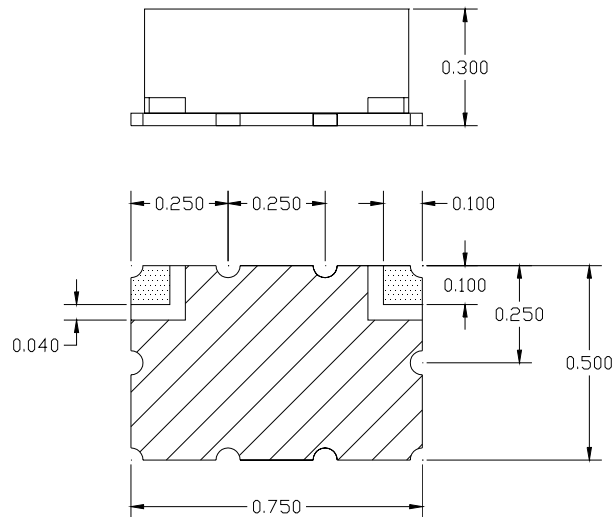
Web www.krfilters.com
Email sales@krfilters.com
Phone (732) 636-1900
Fax (732) 636-1982

KR Electronics 2848 Equalizer

Specifications

Parameter	Specification
Filter type	Equalizer
Frequency Range	400 MHz to 1000 MHz
Negative Slope	7 dB \pm 1 dB
Source and Load	50 Ω

Physical Dimensions



Notes:

1. Surface mount package — Metal cover open frame
2. Dimensions in inches
3. Maximum reflow temperature is 209° C for 10 sec maximum.
4. If boards are cleaned after installation, units must be completely dried.

KR Electronics, Inc.
91 Avenel Street
Avenel, NJ 07001

Web www.krfilters.com
Email sales@krfilters.com
Phone (732) 636-1900
Fax (732) 636-1982