



P/N: 16PT6122A DATA SHEET

Feature



- Compliant with IEEE802.3u and ANSI X3.263 standards including 350uH OCL with 8mA Bias.
- Operating temperature range:0°C to +70°C.
- Storage temperature range:-25°C to +105°C.

Electrical Specifications @ 25°C

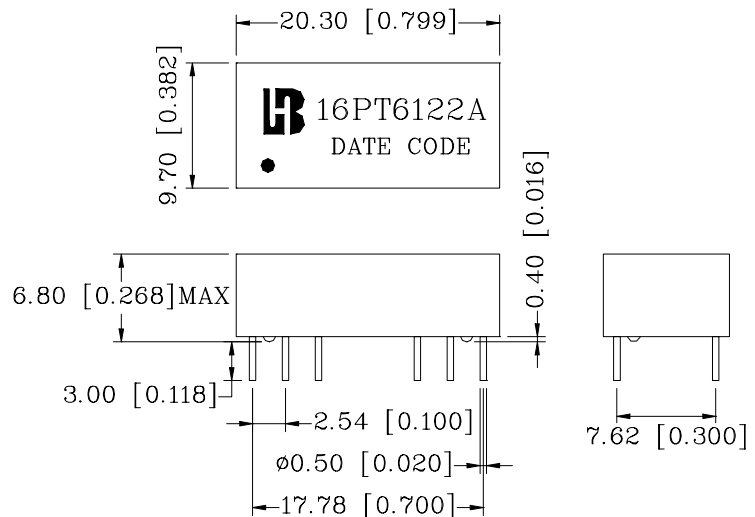
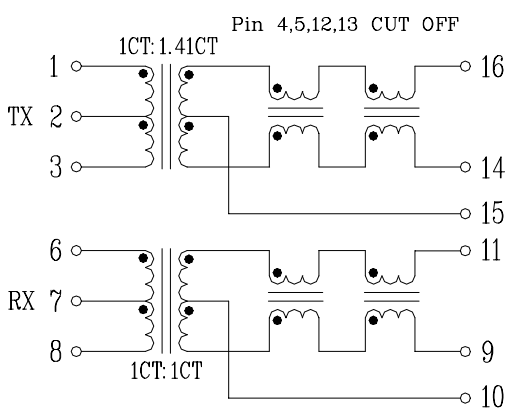
Part Number	Turns Ratio (±5%)		OCL (uH Min) @100KHz/0.1V with 8mA DC Bias	L.L (uH Max)	C _{www} (pF Max)	Rise Time 10%-90% (nS Typ)	DCR (Ω Max)	HI-POT (Vrms)
	TX	RX					16-14	
16PT6122A	1CT:1.41CT	1CT:1CT	350	1.0	30	3.0	1.7	1500

Continue

Part Number	Insertion Loss (dB Max)	Return Loss (dB Min)					Cross talk (dB Min)	DCMR TX/RX(dB Min)
		0.3-100MHz	30MHz	40MHz	50 MHz	60 MHz		
16PT6122A	-1.15	-16	-14	-13.5	-13	-12	-35	-30

Schematic

Mechanical



Units: mm[Inches] Tolerances: xx.x0±0.25[0.010]
0.xx±0.05[0.002]