

AC Axial Fans



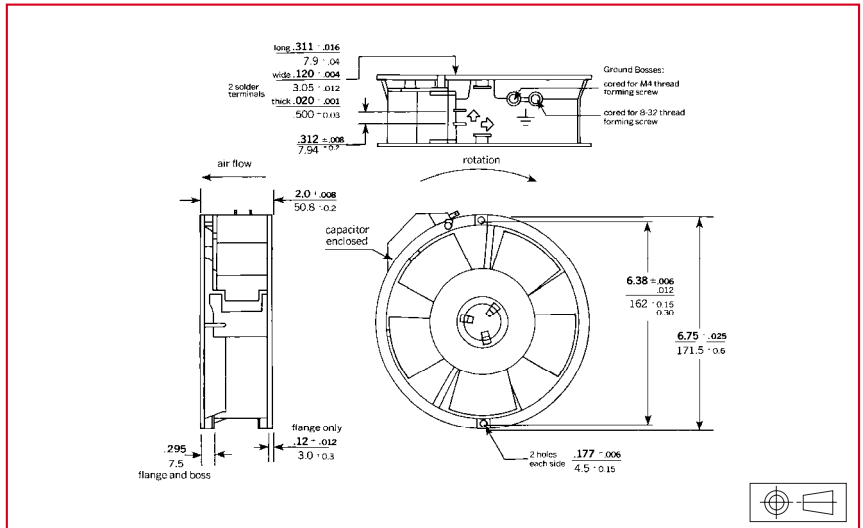
Approvals



GAM T1 listed

Life expectancy

L-10 LIFE AT 40°C:
80 000 hours

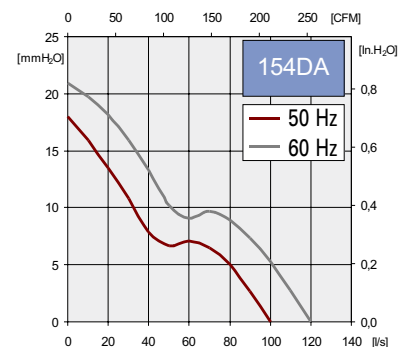
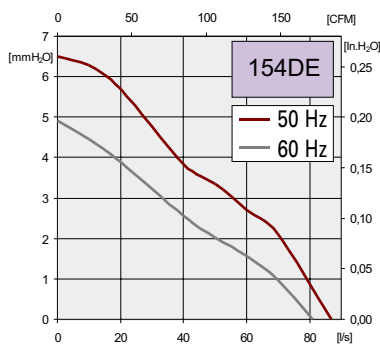
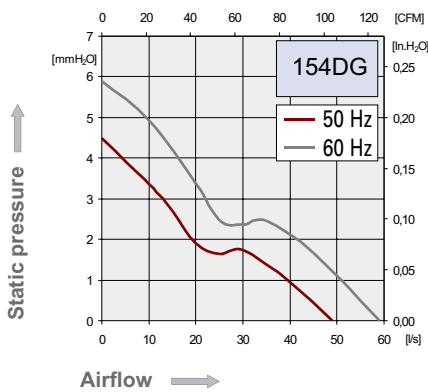


AC Motor

Electrical protection: thermally protected
Housing material: aluminium
Impeller material: plastic UL 94 VO
Weight: 0,880 kg

Available with:

- flying leads
- speed sensor



Part number	Nominal voltage	Airflow	Noise level	Nominal speed	Frequency	Phases	Capacitor	Input power	Nominal current	Starting current	Bearing system	Connection type		Operating temperature		
	V	l/s	dB(A)	RPM	Hz		µF	W	mA	mA	Ball	Sleeve	Leads	Terminals	Min. °C	Max. °C
154DG0282030	115	49	29,5	1400	50	1	1	11	100	140	X		X		- 10	70
		59	35	1700	60	1	1	11	90	140	X		X		- 10	70
154DG0281030	208-240	49	29,5	1400	50	1	0,32	13	60	80	X		X		- 10	70
		59	35	1700	60	1	0,32	14	60	80	X		X		- 10	70
154DE0282030	115	87	47	2500	50	1	1,69	11	105	140	X		X		- 10	70
		81	45	2300	60	1	1,69	15	130	150	X		X		- 10	70
154DE0281030	208-240	87	47	2500	50	1	0,47	12	60	75	X		X		- 10	70
		81	45	2300	60	1	0,47	16	75	80	X		X		- 10	70
154DA0282030	115	100	50,5	2850	50	1	2,7	30	310	610	X		X		- 10	70
		120	55,5	3400	60	1	2,7	29	260	590	X		X		- 10	70
154DA0281030	208-240	100	50,5	2850	50	1	2,2	33	200	390	X		X		- 10	55
		120	55,5	3400	60	1	2,2	30	160	370	X		X		- 10	55

Additional versions:

Shock & vibration protected - salt spray protected
Wide temperature range - sleeve bearings - marine specifications

Accessories:

- Plastic filter P/N : F172/T102
- Metal filters: 120-402, 120-702 & 120-722
- Plastic finger guards P/N : PFG-172
- Power cords 9601-36 (several models)
- Speed nuts P/N: Speed nuts 6-32