

DATA SHEET

SKY74067-21: Dual-Band CDMA2000 Transmitter for Cellular CDMA and PCS Femtocell Applications

Applications

- Cellular CDMA and PCS femto/pico cell base stations
- Cellular CDMA and PCS repeaters

Features

- Low power consumption in all operating modes
- Direct upconversion architecture
- Device controlled using a three-wire read/write serial bus interface with independent supply voltage
- Baseband RC filter to reject receive band noise
- Fully integrated VCO with auto-tuning
- Dual-mode fractional-N/integer-N PLL
- Variable gain PA drivers
- Differential cellular driver output matched to 200 Ω
- Single-ended PCS driver output matched to 50 Ω
- Transmit power control with >75 dB dynamic range
- Low current consumption at low transmit power minimizes current consumption and noise
- Hardware TX_ENABLE for gated mode operation
- RFLGA™ (32-pin, 5 x 5 x 1 mm) Pb-free (MSL3, 260 °C per JEDEC J-STD-020) package with downset paddle

NEW

Skyworks offers lead (Pb)-free, RoHS (Restriction of Hazardous Substances) compliant packaging.



Description

The SKY74067-21 transmitter is a highly integrated device for dual-band Code Division Multiple Access (CDMA) femtocell base station applications. The SKY74067-21 supports femtocells in the cellular CDMA and Personal Communications System (PCS) bands.

The device requires a minimum number of external components to complete a CDMA2000 radio subsystem. Included on-chip are the baseband filter, direct upconversion In-Phase and Quadrature (I/Q) mixers, variable gain power amplifier (PA) drivers, a fully integrated Voltage Controlled Oscillator (VCO) with Local Oscillator (LO) generation blocks, and a dual-mode fractional-N/integer-N Phase Locked Loop (PLL).

External components needed for operation include bias resistors, bypass capacitors, and passives to comprise the PLL loop filter.

The signal enters the chip as an analog baseband In-Phase and Quadrature (I/Q) signal. It is filtered by the baseband filter and upconverted to the desired RF transmit frequency. The signal is amplified by one of two upconverters, depending on whether the chip is operating in cellular or PCS mode. The resulting signal is fed through the appropriate PA driver stage to provide variable output power and to drive the external PA. The signal is then filtered by an external Surface Acoustic Wave (SAW) filter and sent to the PA to obtain the final rated power.

The 32-pin RF Land Grid Array (RFLGA) device package and pinout are shown in Figure 1. Figure 2 shows a functional block diagram for the SKY74067-21.

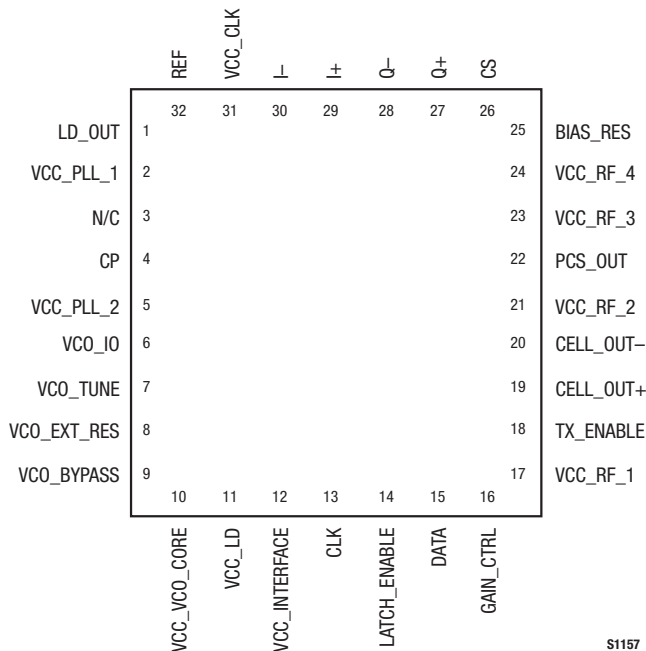


Figure 1. SKY74067-21 Transmitter Pinout – 32-Pin RFLGA (5 x 5 mm) (Top View)

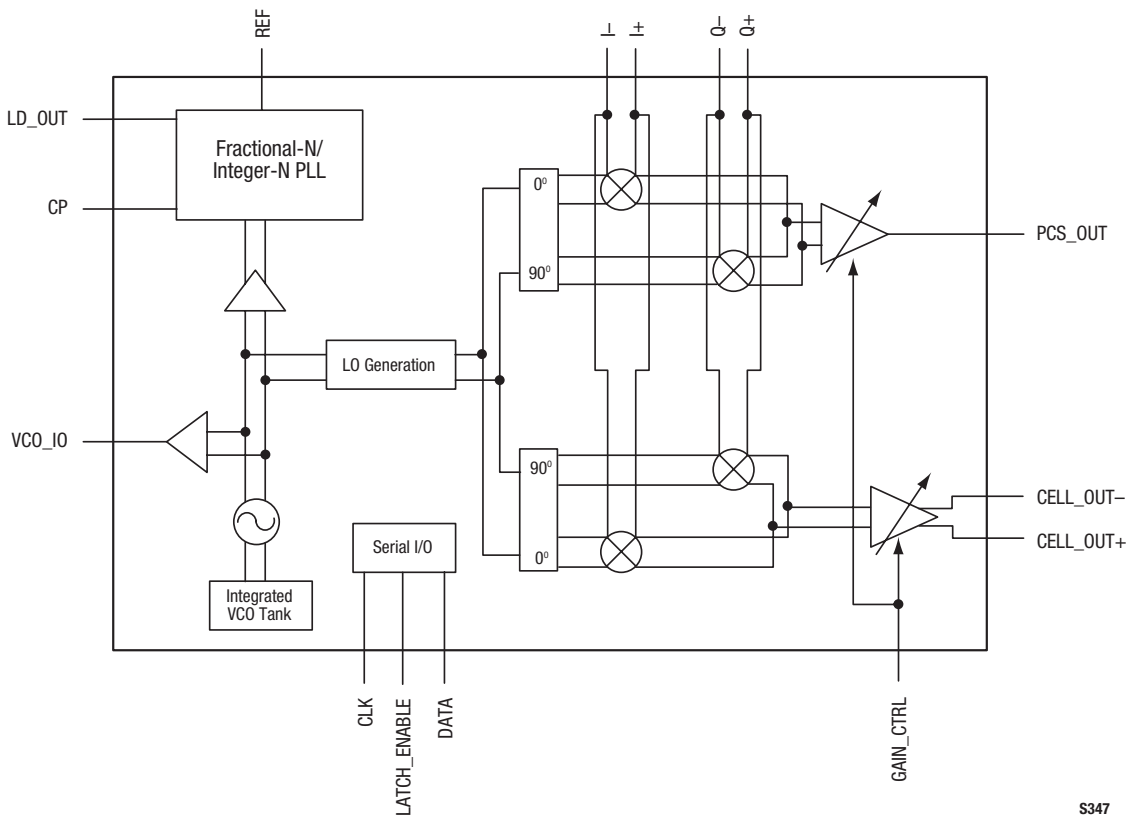


Figure 2. SKY74067-21 Transmitter Block Diagram

Technical Description

Baseband Filter

In voltage mode operation, the baseband section of the SKY74067-21 contains a simple RC filter to reject receive band noise from incoming I and Q signals.

VCO, LO Chain, and PLL

The VCO has an internal tank circuit automatically tuned to the desired frequency. The VCO is connected to an on-chip PLL and LO generation blocks. The output of the LO generation blocks drives the LO port of the I/Q RF upconverter.

A dual-mode fractional-N/integer-N PLL is used to lock the VCO to the desired frequency in cellular mode. A bi-directional buffer is available to measure the VCO output or to enable use of an external LO for testing purposes.

I/Q RF Upconverter

The I/Q RF upconverter converts the incoming I/Q signal to the desired RF output signal. The upconverter passes the output signal directly to the variable gain PA drivers. The LO for the upconverter is provided by the VCO and LO generation blocks.

The upconverter block consists of two separate mixers, one for cellular mode operation and the other for PCS mode. The output of the PCS mixer is routed to the PCS PA driver and the cellular mixer output is routed to the cellular PA driver.

Variable Gain PA Drivers

The SKY74067-21 includes two PA drivers. These drivers control the power level of the signal provided by the PCS and cellular upconverters. The gain of both drivers is variable, yielding over 75 dB of dynamic range.

The PCS driver output is single-ended, while the cellular driver is differential. Both are open collector outputs that require external matching.

Serial Bus Interface

A three-wire serial bus with read/write capability provides mode and bias control, and control of the PLL. The serial interface

consists of three signals: a bus clock (CLK), a bus enable (LATCH_ENABLE), and the serial, bi-directional data line (DATA).

Package and Handling Information

Since the device package is sensitive to moisture absorption, it is baked and vacuum packed before shipping. Instructions on the shipping container label regarding exposure to moisture after the container seal is broken must be followed. Otherwise, problems related to moisture absorption may occur when the part is subjected to high temperature during solder assembly.

The SKY74067-21 is rated to Moisture Sensitivity Level 3 (MSL3) at 260 °C. It can be used for lead or lead-free soldering. For additional information, refer to the Skyworks Application Note, *PCB Design & SMT Assembly/Rework Guidelines for RFLGA Packages*, document number 103147.

Care must be taken when attaching this product, whether it is done manually or in a production solder reflow environment. Production quantities of this product are shipped in a standard tape and reel format. For packaging details, refer to the Skyworks Application Note *Tape and Reel*, document number 101568.

Electrical and Mechanical Specifications

Signal pin assignments and functional pin descriptions are described in Table 1. The absolute maximum ratings of the SKY74067-21 are provided in Table 2. The recommended operating conditions are specified in Table 3 and electrical specifications are provided in Table 4.

An application schematic diagram for the SKY74067-21 is shown in Figure 3. The package dimensions for the 32-pin RFLGA are shown in Figure 4, and the tape and reel dimensions are provided in Figure 5.

Electrostatic Discharge (ESD) Sensitivity

The SKY74067-21 is a static-sensitive electronic device. Do not operate or store near strong electrostatic fields. Take proper ESD precautions.

Table 1. SKY74067-21 Signal Descriptions

| Pin # | Name | Description | Pin # | Name | Description |
|-------|---------------|--|-------|-----------|---|
| 1 | LD_OUT | Lock detect output. Open drain. | 17 | VCC_RF_1 | Supply for bias circuits of all drivers. |
| 2 | VCC_PLL_1 | Supply for the PLL. | 18 | TX_ENABLE | Transmit enable/disable pin for all blocks, excluding VCO and PLLs. |
| 3 | N/C | No connection | 19 | CELL_OUT+ | Positive cellular driver differential output. |
| 4 | CP | Charge pump output. | 20 | CELL_OUT- | Negative cellular driver differential output. |
| 5 | VCC_PLL_2 | Supply for the PLL. | 21 | VCC_RF_2 | Supply for PCS and cellular output drivers. |
| 6 | VCO_IO | Input/output port for the VCO bi-directional buffer. | 22 | PCS_OUT | PCS driver output. |
| 7 | VCO_TUNE | Loop filter input for the VCO. | 23 | VCC_RF_3 | Supply for bias circuits of the PCS differential driver. |
| 8 | VCO_EXT_RES | External bias-setting resistor for the VCO. | 24 | VCC_RF_4 | Supply for the mixer and associated bias blocks. |
| 9 | VCO_BYPASS | External capacitor for VCO noise filtering. | 25 | BIAS_RES | External bias resistor for all blocks, excluding VCO. |
| 10 | VCC_VCO_CORE | Supply for the VCO. | 26 | CS | Current sink. |
| 11 | VCC_LO | Supply for LO generation blocks. | 27 | Q+ | Positive quadrature analog baseband input. |
| 12 | VCC_INTERFACE | Supply for serial bus. | 28 | Q- | Negative quadrature analog baseband input. |
| 13 | CLK | Clock signal for serial bus. | 29 | I+ | Positive in-phase analog baseband input. |
| 14 | LATCH_ENABLE | Latch enable signal for serial bus. | 30 | I- | Negative in-phase analog baseband input. |
| 15 | DATA | Data signal for serial bus. | 31 | VCC_CLK | Supply for the TCXO buffer. |
| 16 | GAIN_CTRL | Gain control voltage. | 32 | REF | TCXO input. |

Table 2. SKY74067-21 Absolute Maximum Ratings

| Parameter | Symbol | Minimum | Typical | Maximum | Units |
|-------------------------------|------------------|---------|---------|---------|-------|
| Supply voltage | VCC | -0.3 | | +3.6 | V |
| Input voltage range | V _{IN} | -0.3 | | VCC | V |
| Storage temperature | T _{STG} | -40 | | +125 | °C |
| Ambient operating temperature | T _A | -30 | | +85 | °C |

Note: Exposure to maximum rating conditions for extended periods may reduce device reliability. There is no damage to device with only one parameter set at the limit and all other parameters set at or below their nominal value.

Table 3. SKY74067-21 Recommended Operating Conditions

| Parameter | Symbol | Minimum | Typical | Maximum | Units |
|---|--------|----------------|----------|------------|------------|
| Supply voltage | VCC | 2.70 | 2.85 | 3.00 | V |
| Logic level: high low | | VCC – 0.5 0 | | VCC 0.5 | V V |
| Z _{IN} of logic control inputs | | | 50 | | k Ω |
| Supply current: Cellular CDMA mode @ 5 dBm PCS mode @ 5 dBm | | | 71 76 | | mA mA |
| Supply current in sleep mode | | | | 100 | μ A |

Table 4. SKY74067-21 Electrical Specifications (1 of 3)**(T_A = +25 °C, VCC = 2.85 V, CDMA2000 Waveform Used Unless Otherwise Noted)**

| Parameter | Symbol | Test Condition | Min | Typical | Max | Units |
|--|--------|----------------|-----|-------------|------|----------------------------------|
| Baseband Filter | | | | | | |
| Cutoff frequency | | | 3 | | | MHz |
| Amplitude ripple | | | | 0.5 | | dB |
| Amplitude imbalance between I and Q chains | | | | 0.20 | 0.25 | dB |
| Phase imbalance between I and Q chains | | | | 1 | | degrees |
| Rejection: @ 45 MHz (cellular CDMA) @ 80 MHz (PCS) | | | | 20 25 | | dB dB |
| I/Q RF Upconverter, Voltage Mode | | | | | | |
| Input signal level | | | | 1 | | V _{p-p} differential |
| Input common mode voltage | | | 1.3 | 1.5 | 1.9 | V |
| Input impedance | | | | 50 | | k Ω |
| I/Q Upconverter, Current Mode | | | | | | |
| Input signal level | | | | 1 \pm 0.6 | | mA |
| Current sink | | | 20 | | 200 | μ A |
| I/Q RF Upconverter and Driver, Cellular CDMA | | | | | | |
| I/Q frequency range | | | | 0.63 | 2.5 | MHz |
| -1 dB bandwidth | | | | 5 | | MHz |
| RF output frequency range | | | 800 | 880 | 950 | MHz |
| Maximum RF output power | | | | +5 | | dBm |
| Dynamic range | | | | 72 | | dB |
| Control voltage range | | | 0.2 | | 2.7 | V |
| Slope of RF AGC | | | 30 | 50 | 75 | dB/V |
| ACPR: 750 kHz offset @ +4 dBm 1.98 MHz offset @ +0 dBm | | | | -55 -70 | | dBc dBc |

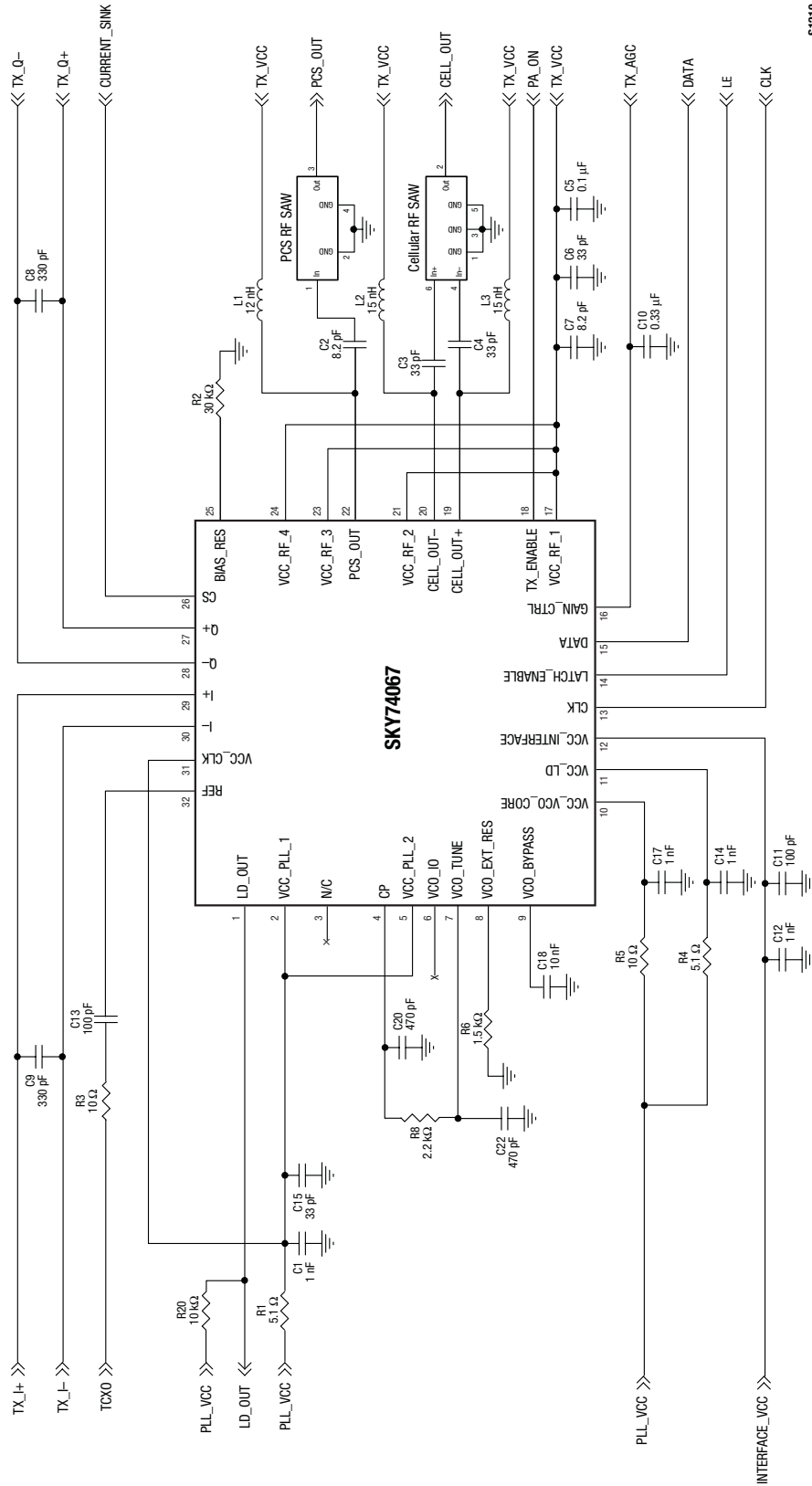
Table 4. SKY74067-21 Electrical Specifications (2 of 3)
(T_A = +25 °C, V_{CC} = 2.85 V, CDMA2000 Waveform Used Unless Otherwise Noted)

| Parameter | Symbol | Test Condition | Min | Typical | Max | Units |
|--|--------|--------------------|------|---------|------|--------|
| <i>I/Q RF Upconverter and Driver, Cellular CDMA (continued)</i> | | | | | | |
| Residual sideband suppression | | | | -38 | -35 | dBc |
| Carrier suppression (Note 1) | | | | -35 | -32 | dBc |
| Gain variation over the frequency band | | 869 MHz to 895 MHz | | 0.5 | 1.0 | dB |
| Output return loss @ maximum power | | | | -12 | -10 | dB |
| Receive band noise @ maximum gain, P _o = +8 dBm | | | | -137 | -135 | dBm/Hz |
| Noise floor @ minimum controlled output power = -81 dBm/1.23 MHz | | | | -165 | -160 | dBm/Hz |
| Supply current including LO chain: Current mode @ minimum power | | | | 26 | 30 | mA |
| Current mode @ -30 dBm | | | | 40 | 46 | mA |
| Current mode @ +8 dBm | | | | 60 | 69 | mA |
| Supply current including LO chain: Voltage mode @ minimum power | | | | 22 | 25 | mA |
| Voltage mode @ -20 dBm | | | | 35 | 40 | mA |
| Voltage mode @ +8 dBm | | | | 60 | 69 | mA |
| Settling time for output power to reach ±1 dB of final value | | | | 5 | | μs |
| <i>I/Q RF Upconverter and Driver, PCS</i> | | | | | | |
| I/Q frequency range | | | | 0.63 | 2.5 | MHz |
| -1 dB bandwidth | | | | 5 | | MHz |
| RF output frequency range | | | 1700 | 1960 | 2000 | MHz |
| Maximum RF output power | | | | +5 | | dBm |
| RF dynamic range | | | | 72 | | dB |
| Control voltage range | | | 0.2 | | 2.7 | V |
| Slope of RF AGC | | | 30 | 50 | 80 | dB/V |
| ACPR: 885 kHz @ +1 dBm | | | | -52 | | dBc |
| 1.25 MHz offset @ +1 dBm | | | | -55 | | dBc |
| 1.98 MHz offset @ +2 dBm | | | | -70 | | dBc |
| Residual sideband suppression | | | | -35 | -35 | dBc |
| Carrier suppression (Note 1) | | | | -35 | -32 | dBc |
| Output return loss @ maximum power | | | | -12 | -10 | dB |
| Receive band noise @ maximum gain, P _o = +5 dBm | | | | -134 | | dBm/Hz |
| Noise floor @ minimum controlled output power = -79 dBm/1.23 MHz | | | | -165 | -160 | dBm/Hz |

Table 4. SKY74067-21 Electrical Specifications (3 of 3)
(T_A = +25 °C, V_{CC} = 2.85 V, CDMA2000 Waveform Used Unless Otherwise Noted)

| Parameter | Symbol | Test Condition | Min | Typical | Max | Units |
|---|--------|---------------------------------------|-------|---------|-----------|----------------------------|
| I/Q RF Upconverter and Driver, PCS (continued) | | | | | | |
| Supply current including LO chain: Current mode @ minimum power | | | | 23 | 26 | mA |
| Current mode @ -30 dBm | | | | 40 | 46 | mA |
| Current mode @ +9 dBm | | | | 64 | 72 | mA |
| Supply current including LO chain: Voltage mode @ minimum power | | | | 19 | 23 | mA |
| Voltage mode @ -30 dBm | | | | 40 | 46 | mA |
| Voltage mode @ +5 dBm | | | | 66 | 76 | mA |
| Settling time for output power to reach ±1 dB of final value | | | | 5 | | µs |
| VCO/PLL in Cellular CDMA Mode | | | | | | |
| Phase noise: @ 100 kHz offset | | | | -100 | -95 | dBc/Hz |
| @ 885 kHz offset | | | | -120 | -110 | dBc/Hz |
| @ 1.98 MHz offset | | | | -130 | -120 | dBc/Hz |
| Total supply current | | | | 5.5 | | mA |
| Fractional-N PLL | | | | | | |
| Reference range | | | 1.0 | 19.2 | 40.0 | MHz |
| Reference input sensitivity | | | 200 | 500 | | mVp-p |
| Charge pump current, RF (sel 1) | | | 0.032 | 0.040 | 0.048 | mA |
| Charge pump current, RF (sel 2) | | | 0.08 | 0.10 | 0.12 | mA |
| Charge pump current, RF (sel 3) | | | 0.16 | 0.20 | 0.24 | mA |
| Charge pump current, RF (sel 4) | | | 0.32 | 0.40 | 0.48 | mA |
| Charge pump leakage current | | | | | 0.10 | nA |
| PLL phase noise integrated from 1 kHz to 630 kHz at carrier: Cellular CDMA (F _{COMP} = 9.6 MHz) PCS (F _{COMP} = 9.6 MHz) | | Unity gain loop bandwidth = 25 kHz | | 2 2 | | degrees rms degrees rms |
| Supply current | | | | 4 | | mA |
| Integer-N PLL | | | | | | |
| Input frequency minimum range | | | 500 | | 2500 | MHz |
| Reference range | | | 1.0 | 19.2 | 40.0 | MHz |
| Phase detector frequency minimum range | | | 10 | | 1000 | kHz |
| Reference input sensitivity | | | 200 | 500 | | mVp-p |
| Charge pump current, RF (sel 1) | | | 0.22 | 0.28 | 0.34 | mA |
| Charge pump current, RF (sel 2) | | | 0.56 | 0.70 | 0.84 | mA |
| Charge pump current, RF (sel 3) | | | 1.12 | 1.40 | 1.68 | mA |
| Charge pump current, RF (sel 4) | | | 2.24 | 2.80 | 3.36 | mA |
| Charge pump output voltage compliance, minimum range | | | 0.5 | | VDD - 0.5 | V |
| Supply current | | | | 3.5 | | mA |

Note 1: Minimum of -20 dBc at minimum power.



S1210

Figure 3. SKY74067-21 Application Schematic

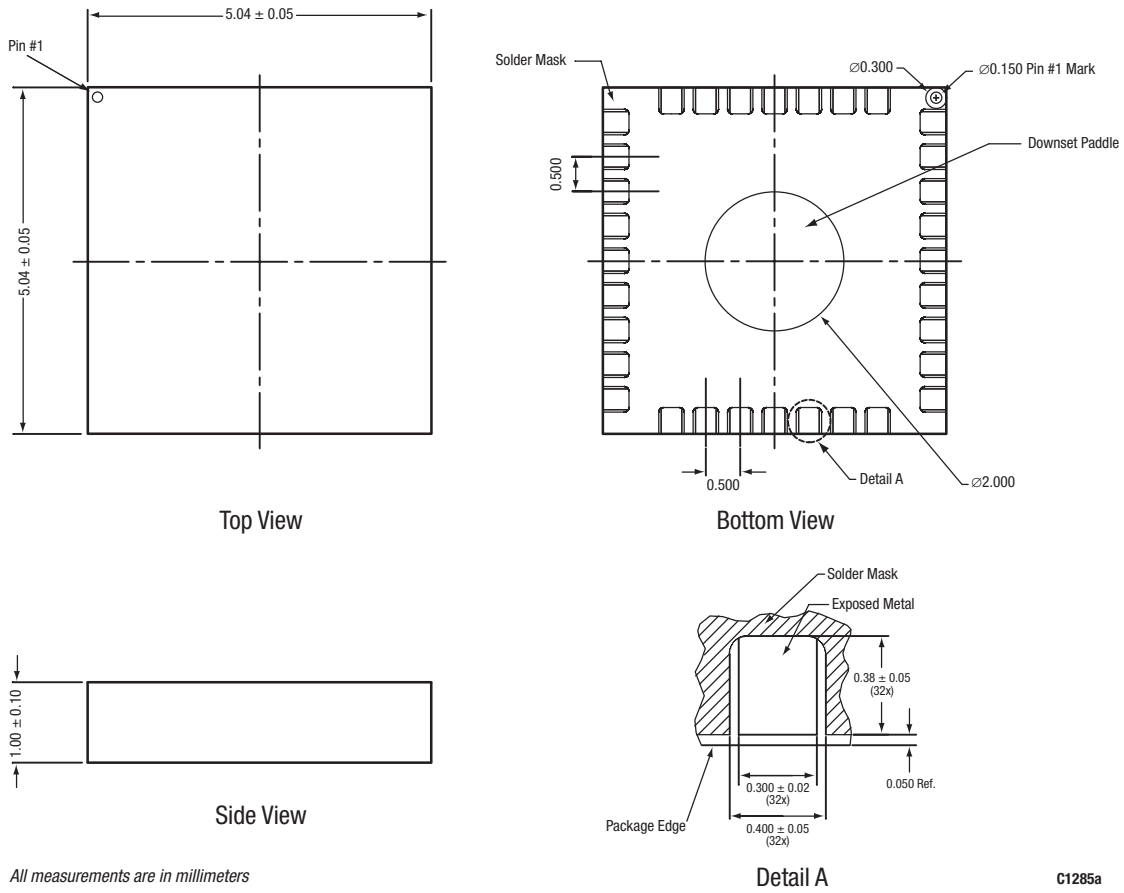


Figure 4. SKY74067-21 32-Pin RFLGA Package Dimension Drawing

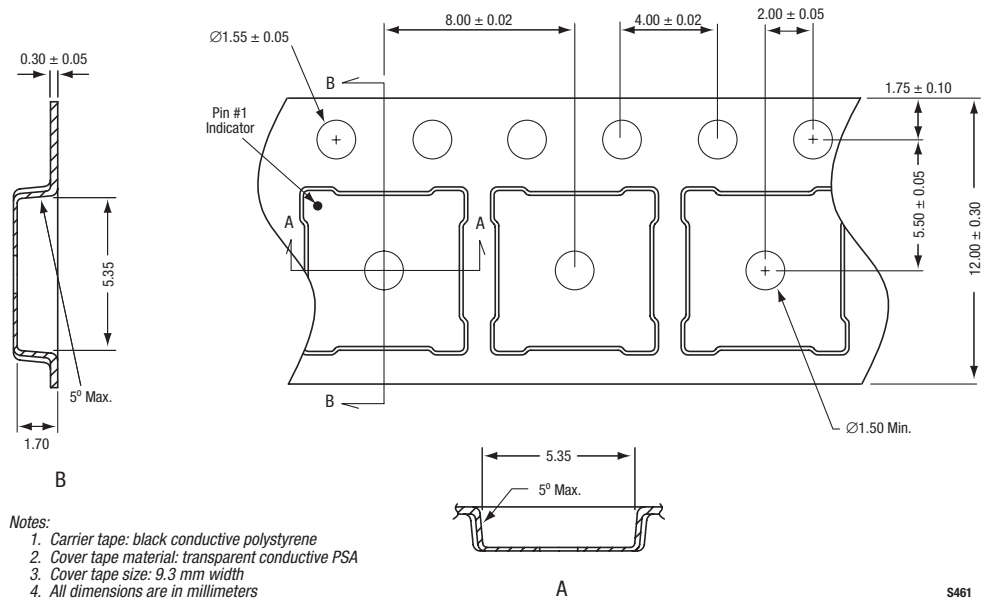


Figure 5. SKY74067-21 Tape and Reel Dimensions

Ordering Information

| Model Name | Manufacturing Part Number | Evaluation Kit Part Number |
|----------------------------------|-------------------------------|----------------------------|
| SKY74067-21 CDMA2000 Transmitter | SKY74067-21 (Pb-free package) | TW17-D215-001 |

Copyright © 2009 Skyworks Solutions, Inc. All Rights Reserved.

Information in this document is provided in connection with Skyworks Solutions, Inc. ("Skyworks") products or services. These materials, including the information contained herein, are provided by Skyworks as a service to its customers and may be used for informational purposes only by the customer. Skyworks assumes no responsibility for errors or omissions in these materials or the information contained herein. Skyworks may change its documentation, products, services, specifications or product descriptions at any time, without notice. Skyworks makes no commitment to update the materials or information and shall have no responsibility whatsoever for conflicts, incompatibilities, or other difficulties arising from any future changes.

No license, whether express, implied, by estoppel or otherwise, is granted to any intellectual property rights by this document. Skyworks assumes no liability for any materials, products or information provided hereunder, including the sale, distribution, reproduction or use of Skyworks products, information or materials, except as may be provided in Skyworks Terms and Conditions of Sale.

THE MATERIALS, PRODUCTS AND INFORMATION ARE PROVIDED "AS IS" WITHOUT WARRANTY OF ANY KIND, WHETHER EXPRESS, IMPLIED, STATUTORY, OR OTHERWISE, INCLUDING FITNESS FOR A PARTICULAR PURPOSE OR USE, MERCHANTABILITY, PERFORMANCE, QUALITY OR NON-INFRINGEMENT OF ANY INTELLECTUAL PROPERTY RIGHT; ALL SUCH WARRANTIES ARE HEREBY EXPRESSLY DISCLAIMED. SKYWORKS DOES NOT WARRANT THE ACCURACY OR COMPLETENESS OF THE INFORMATION, TEXT, GRAPHICS OR OTHER ITEMS CONTAINED WITHIN THESE MATERIALS. SKYWORKS SHALL NOT BE LIABLE FOR ANY DAMAGES, INCLUDING BUT NOT LIMITED TO ANY SPECIAL, INDIRECT, INCIDENTAL, STATUTORY, OR CONSEQUENTIAL DAMAGES, INCLUDING WITHOUT LIMITATION, LOST REVENUES OR LOST PROFITS THAT MAY RESULT FROM THE USE OF THE MATERIALS OR INFORMATION, WHETHER OR NOT THE RECIPIENT OF MATERIALS HAS BEEN ADVISED OF THE POSSIBILITY OF SUCH DAMAGE.

Skyworks products are not intended for use in medical, lifesaving or life-sustaining applications, or other equipment in which the failure of the Skyworks products could lead to personal injury, death, physical or environmental damage. Skyworks customers using or selling Skyworks products for use in such applications do so at their own risk and agree to fully indemnify Skyworks for any damages resulting from such improper use or sale.

Customers are responsible for their products and applications using Skyworks products, which may deviate from published specifications as a result of design defects, errors, or operation of products outside of published parameters or design specifications. Customers should include design and operating safeguards to minimize these and other risks. Skyworks assumes no liability for applications assistance, customer product design, or damage to any equipment resulting from the use of Skyworks products outside of stated published specifications or parameters.

Skyworks, the Skyworks symbol, and "Breakthrough Simplicity" are trademarks or registered trademarks of Skyworks Solutions, Inc., in the United States and other countries. Third-party brands and names are for identification purposes only, and are the property of their respective owners. Additional information, including relevant terms and conditions, posted at www.skyworksinc.com, are incorporated by reference.