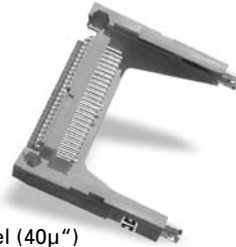


#### Specifications

Insulation Resistance: 1000MΩ at 500V DC  
 Withstanding Voltage: 500Vrms  
 Current Rating: 0.5A  
 Operating Temp. Range: -55°C to +85°C  
 Reflow Solder Temp.: 220°C min. / 60 sec, 260°C peak  
 Mating Cycles: 10,000 times

#### Materials and Finish

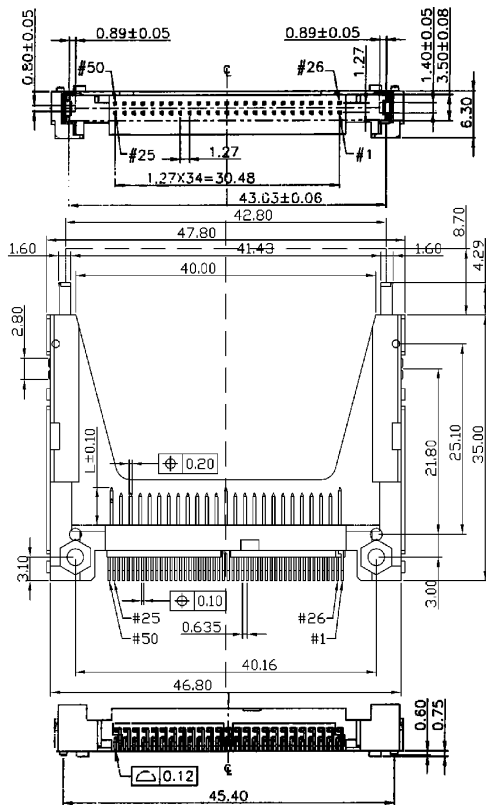
Insulator: LCP, glass filled (UL94V-0)  
 SMT Metal: Brass, pure Sn  
 Push Button: Glass reinforced PBT (UL94V-0)  
 Cover: Stainless Steel  
 Contacts: Brass  
 Plating: Contacts - Gold (15μ") over Nickel (40μ")  
 Solder Tails - pure Sn



#### Features

- Adapter for Compact Flash Card Type I and II
- With push button ejector (optional)

#### Outline Dimensions (No Stand-off)



#### Part Number (Details)

CF 050 P2 - \* 0 3 - \* 0 - DS 2

Series

No. of Contacts

Stand-off Height:

0 = without  
 1 = 2.20mm

0 = Top Mounted on PCB

3 = 90° SMT

Ejector:

0 = Without  
 1 = Right Side

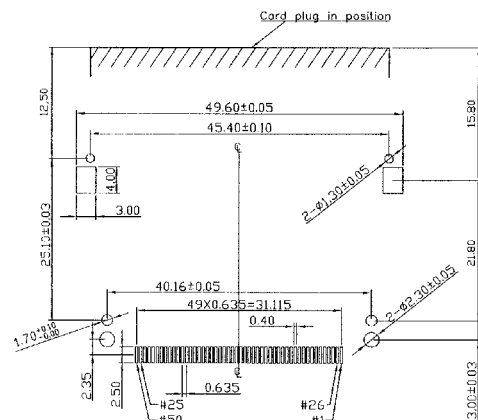
Plating Area:

Contacts: Gold (15μ") over 40μ" Nickel  
 Solder Tails: 100μ" Tin over 40μ" Nickel

No Mark = Without Cap

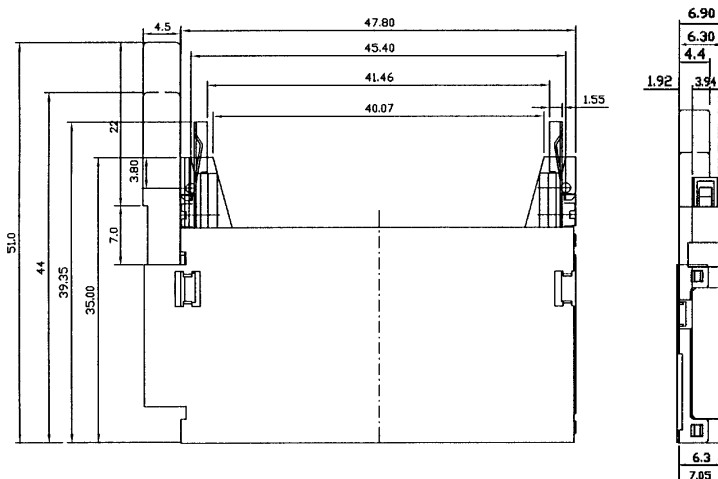
2 = With Metal Cap for Automatic Assembly

#### Recommended PCB Layout



Interface Dim. L (Length)	
Power	= 5.00mm   Pin# 1, 13, 38, 50
General	= 4.25mm   all other pins
Detect	= 3.50mm   Pin# 25, 26

#### Outline Dimensions (Ejector Option)



## Series CF Compact Flash Card Reader, Type I and II (Reversed Type)

### Specifications

Insulation Resistance: 1000MΩ at 500V DC  
 Withstanding Voltage: 500Vrms  
 Current Rating: 1A AC/DC max.  
 Contact Resistance: 40mΩ max. at 20mV max.  
 Operating Temp. Range: -55°C to +85°C  
 Reflow Solder Temp.: 220°C min. / 60 sec, 260°C peak  
 Mating Cycles: 10,000 times

### Materials and Finish

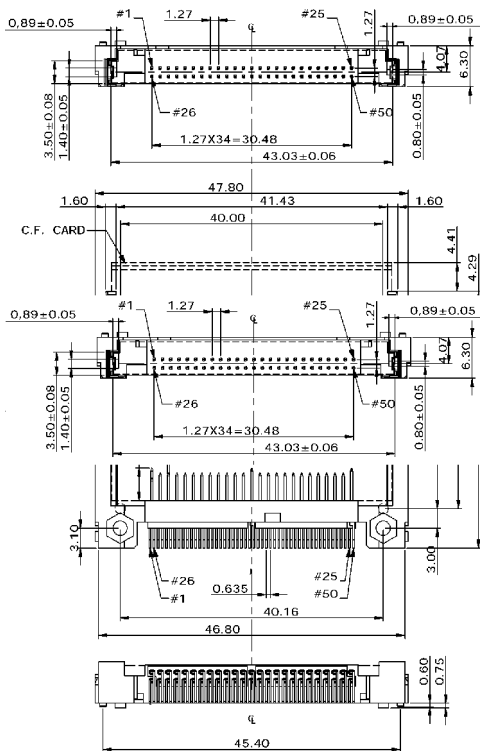
Insulator: LCP, glass filled (UL94V-0)  
 SMT Metal: Brass, pure Sn  
 Push Button: Glass reinforced PBT (UL94V-0)  
 Cover: Stainless Steel  
 Contacts: Brass  
 Plating: Contacts - Gold (15μ") over Nickel (40μ")  
 Solder Tails - pure Sn



### Features

- Adapter for Compact Flash Card type I and II
- Reversed type, for assembly underneath the PCB

### Outline Dimensions



### Part Number (Details)

CF 050 P2 - 0 1 3 - \* 0 DS 2

Series

No. of Contacts

Stand-off Height  
0 = Without

1 = Bottom Mounted on PCB

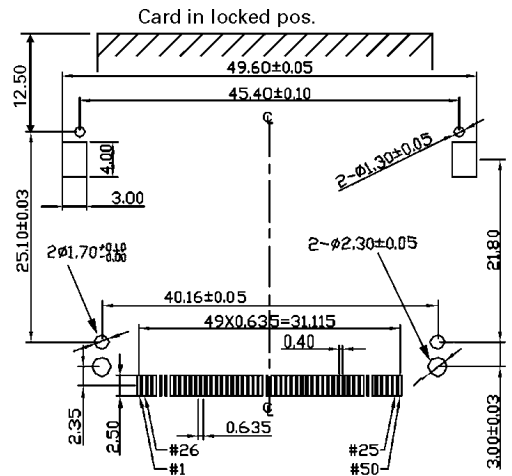
3 = 90° SMT

Ejector:  
0 = Without  
1 = Right Side

Plating Area:  
Contacts: Gold (15μ") over 40μ" Nickel  
Solder Tails: 100μ" Tin over 40μ" Nickel

No Mark = Without Cap  
2 = With Metal Cap for Automatic Assembly

### Recommended PCB Layout



### Interface Dim. L (Length)

Power	= 5.00mm	Pin# 1, 13, 38, 50
General	= 4.25mm	all other pins
Detect	= 3.50mm	Pin# 25, 26

### Outline Dimensions (Ejector Option)

