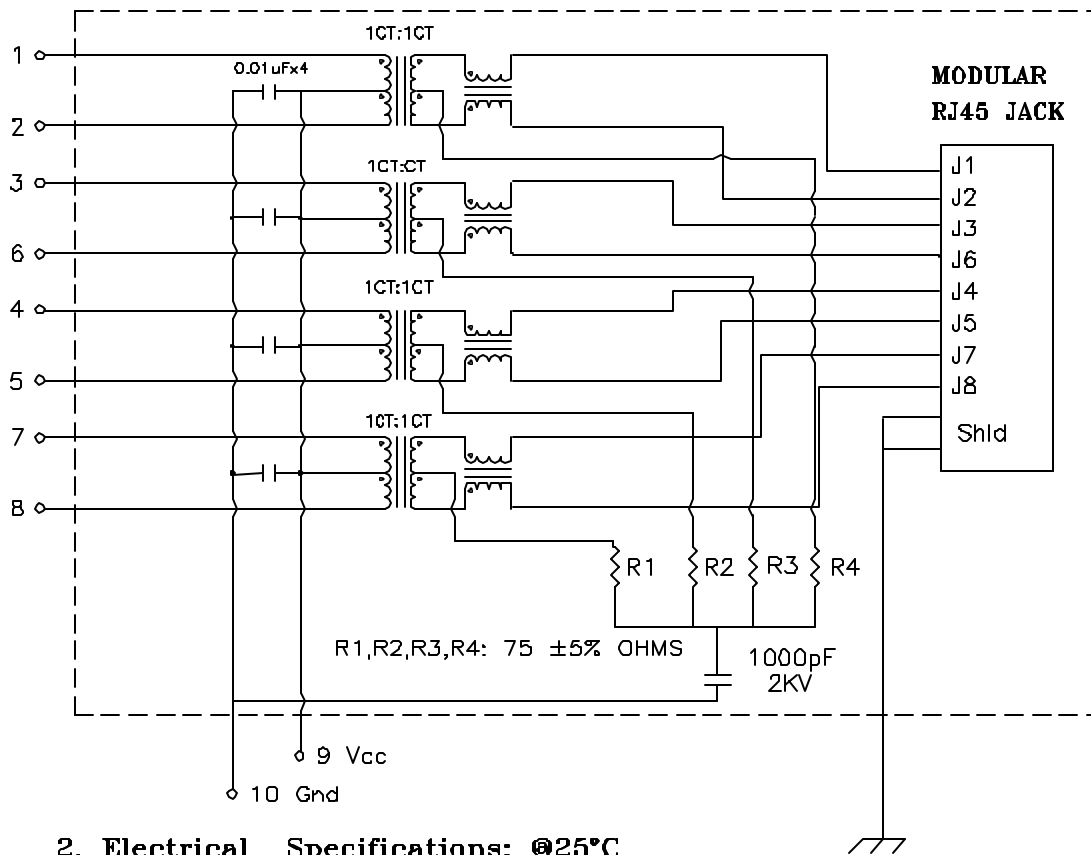


# 1. Schematic: (Single Port)



# 2. Electrical Specifications: @25°C

- ISOLATION: 1500 Vrms
- TURNS RATIO: (PRI/SEC) 1CT:1CT ±3%
- OCL: 350uH MIN @100KHz 100mV 8mADC
- Rise Time: 1.75ns Max.
- INSERTION LOSS: -1.0dB MAX @1MHz-100MHz  
-1.5dB MAX @100-125MHz
- RETURN LOSS: -18dB Min @1-30MHz  
-15dB Min @40MHz -13.1dB Min @50MHz  
-12dB Min @60-80MHz -10dB Min @100MHz
- Differential to Common Mode Rejection:  
-43dB Min @30MHz -37dB Min @80MHz  
-33dB Min @100MHz
- CMRR: -30dB Min @1-100MHz
- Crosstalk: -45dB Min @30MHz  
-40dB Min @60MHz -35dB Min @100MHz

**Notes:**

1. Solderability: Leads shall meet MIL-STD-202, Method 208D for solderability.
2. Flammability: UL94V-0
3. ASTM oxygen Index: > 28%
4. Insulation System: Class F 155°C, UL file E151556
5. Operating Temperature Range: All listed parameters are to be within tolerance from 0°C to +70°C
6. Storage Temperature Range: -55°C to +125°C
7. Aqueous wash compatible

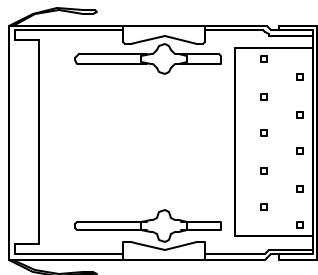
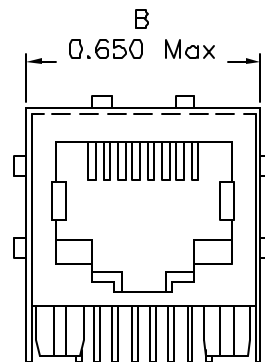
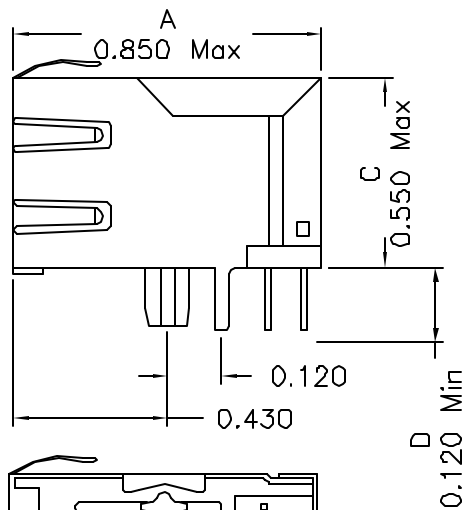
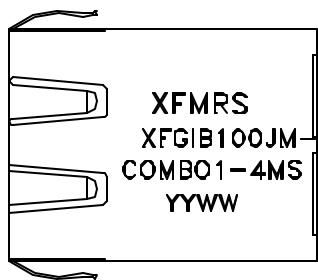
DOC REV.: B/1

**PROPRIETARY:**

Document is the property of XFMRS Group & is not allowed to be duplicated without authorization.

<b>XFMRS Inc.</b> UNLESS OTHERWISE SPECIFIED TOLERANCES: .xxx ±0.010 Dimensions in Inch		Title: SINGLE PORT COMBO	
		P/N: XFGIB100JM-COMBO1-4MS	REV. B
DWN.	罗振江	Apr-05-04	
CHK.	廖玉坤	Apr-05-04	
SHEET 1 OF 2	APP.	BW	Apr-05-04

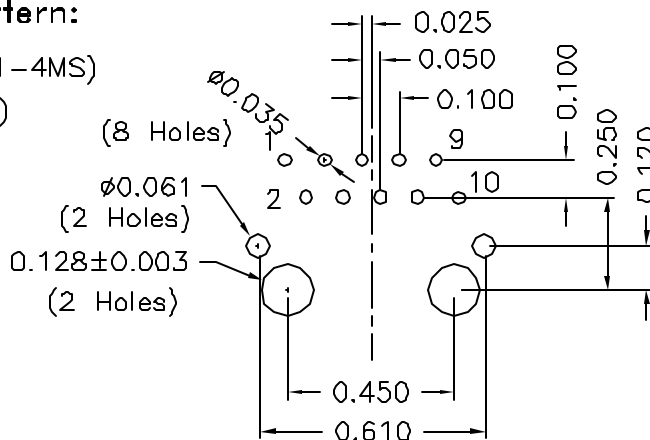
**Mechanical Dimensions:**



(BOTTOM VIEW)

**Mounting Pattern:**

(FOR COMB01-4MS)  
(COMP SIDE)



DOC. REV.: B/1

**XFMRS Inc.**

Title: Mechanical Dimensions  
For COMB01-4MS Series

UNLESS OTHERWISE SPECIFIED  
TOLERANCES:

P/N: XFGIB100JM-COMB01-4MS

REV. B

.xxx ±0.010  
Dimensions in Inch

DWN.

刘鹏

Apr-05-04

CHK.

李小锋

Apr-05-04

SHEET 2 OF 2

APP.

BW

Apr-05-04

**PROPRIETARY:**

Document is the property of XFMRS Group & is not allowed to be duplicated without authorization.