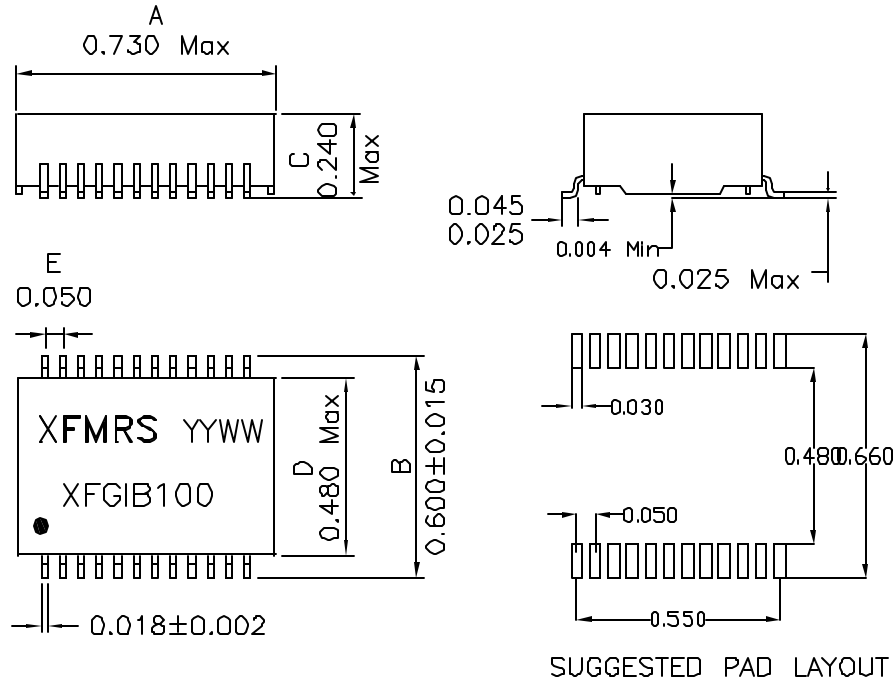
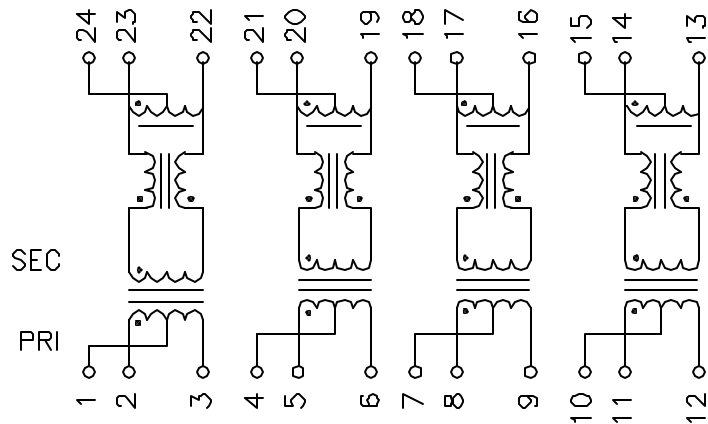


1. Mechanical Dimensions:



2. Schematic:



DOC REV: B/2

3. Electrical Specifications: @25°C

- ISOLATION: 1500 Vrms
- TURNS RATIO: (PRI/SEC) 1CT:1CT ±2%
- OCL: 350uH MIN @100KHz 100mV 8mADC
- Pri DCR: 0.56 Ohms Max
- Sec DCR: 0.42 Ohms Max
- Rise Time: 1.75ns Max.
- INSERTION LOSS: -1.0dB MAX @1MHz-100MHz
- RETURN LOSS: -18dB Min @1-30MHz
 - 15dB Min @40MHz -13.1dB Min @50MHz
 - 12dB Min @60-80MHz -10dB Min @100MHz
- Differential to Common Mode Rejection:
 - 43dB Min @30MHz -37dB Min @80MHz
 - 33dB Min @100MHz
- CMRR: -30dB Min @1-100MHz
- Crosstalk: -45dB Min @30MHz
 - 40dB Min @60MHz -35dB Min @100MHz

Notes:

1. Solderability: Leads shall meet MIL-STD-202G, Method 208H for solderability.
2. Flammability: UL94V-0
3. ASTM oxygen index: > 28%
4. Insulation System: Class F 155°C. UL file E151556
5. Operating Temperature Range: All listed parameters are to be within tolerance from -40°C to +85°C
6. Storage Temperature Range: -55°C to +125°C
7. Aqueous wash compatible
8. SMD Lead Coplanarity: ±0.004" (0.102mm)
9. Electrical and mechanical specifications 100% tested
10. RoHS Compliant Component

XFMRS Inc www.XFMRS.com	Title: 1000BASE-T Modules			
	UNLESS OTHERWISE SPECIFIED TOLERANCES:	P/N: XFGIB100	REV. B	
.xxx ±0.010	DWN.	Juan Mao	Oct-19-07	
Dimensions in INCH	CHK.	YK Liao	Oct-19-07	
SCALE 2:1 SHT 1 OF 1	APP.	MS	Oct-19-07	

PROPRIETARY

Document is the property of XFMRS Group & is not allowed to be duplicated without authorization.