

M24758/6 Conduit-to-Pipe Fittings



M24758/6-16-A

Basic Part No. ————
 Conduit Size Code ————

Material Designator:
 A = Aluminum
 B = Brass
 C = CRES 316

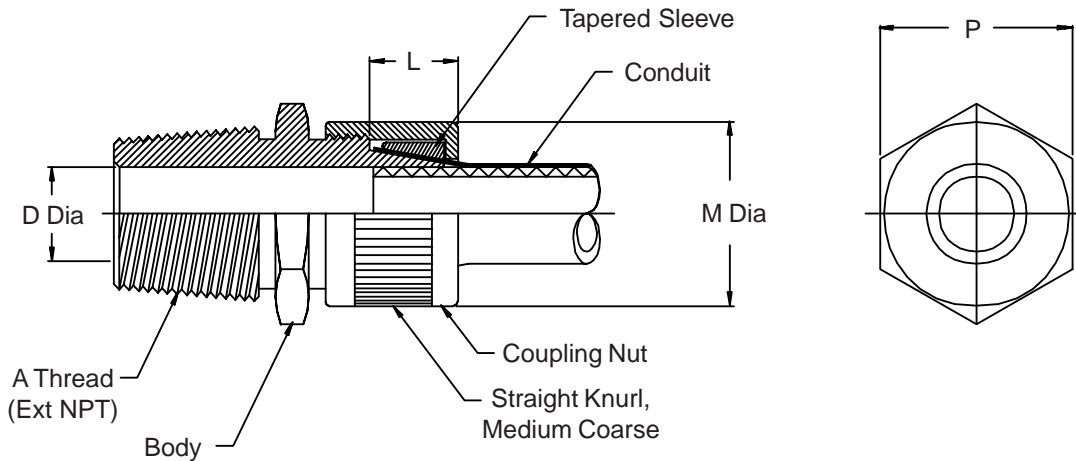


TABLE I

Conduit Size Code	A Thread (Class 2A)	D Dia (Minimum)	L Cone Length ±.06 (15.2)	M Dia (Maximum)	P Dia (Minimum)
02	0.250 - 18.00 NPT	.250 (6.4)	.750 (19.1)	.930 (23.6)	.750 (19.1)
03	0.375 - 18.00 NPT	.370 (9.4)	.750 (19.1)	1.120 (28.4)	.870 (22.1)
04	0.500 - 14.00 NPT	.500 (12.7)	.750 (19.1)	1.250 (31.8)	.960 (24.4)
05	0.750 - 14.00 NPT	.620 (15.7)	.750 (19.1)	1.430 (36.3)	1.180 (30.0)
06	0.750 - 14.00 NPT	.750 (19.1)	.750 (19.1)	1.620 (41.1)	1.370 (34.8)
08	1.000 - 11.50 NPT	1.000 (25.4)	1.000 (25.4)	1.810 (46.0)	1.500 (38.1)
10	1.250 - 11.50 NPT	1.250 (31.8)	1.000 (25.4)	2.180 (55.4)	1.810 (46.0)
12	1.500 - 11.50 NPT	1.500 (38.1)	1.000 (25.4)	2.560 (65.0)	2.120 (53.8)
16	2.000 - 11.50 NPT	2.000 (50.8)	1.000 (25.4)	3.060 (77.7)	2.620 (66.5)
20	2.500 - 8.00 NPT	2.500 (63.5)	1.000 (25.4)	3.680 (93.5)	3.250 (82.6)
24	3.000 - 8.00 NPT	3.000 (76.2)	1.000 (25.4)	4.380 (111.3)	3.870 (98.3)

1. The function of the M24758/6 fitting is to terminate flexible shielding conduit with a reusable fitting having an external tapered pipe thread.
2. Metric dimensions (mm) are indicated in parentheses.
3. For complete dimensions see applicable Military Specification.