

SoniCrest

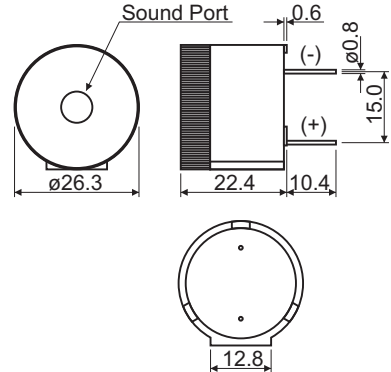
PIEZO SOUND GENERATORS



HPA26AX

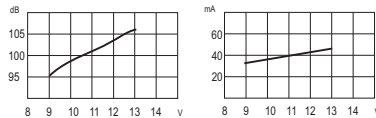
Dimension

Unit : mm
Tolerance : $\pm 0.3\text{mm}$



Characteristics Response

Measuring Temperature : 25°C
Measuring Distance : 10cm



Specification (all data taken at 25°C unless otherwise specified)

HPA26AX	Rated Voltage (VDC)	Operating Voltage (VDC)	★Rated Current (mA)	★Sound Output at 10cm (dB)	★Generated Frequency (Hz)	Operating Temperature (°C)	Storage Temperature (°C)
	12	9 ~ 12	≤ 50	≥ 100	2800 ± 500	-20 ~ +65	-40 ~ +80

★Value Applying Rated Voltage, DC